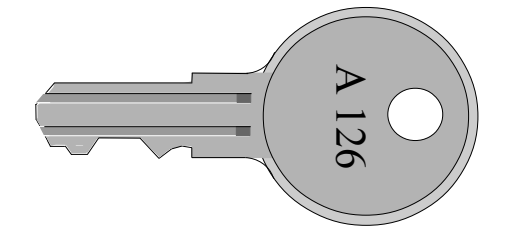


ES8500-N2 Desktop Controller

DS!
DESIGNED SECURITY, INC.

1-800-272-3555



K6 Key (Side View)

Lane 1
Entry Side

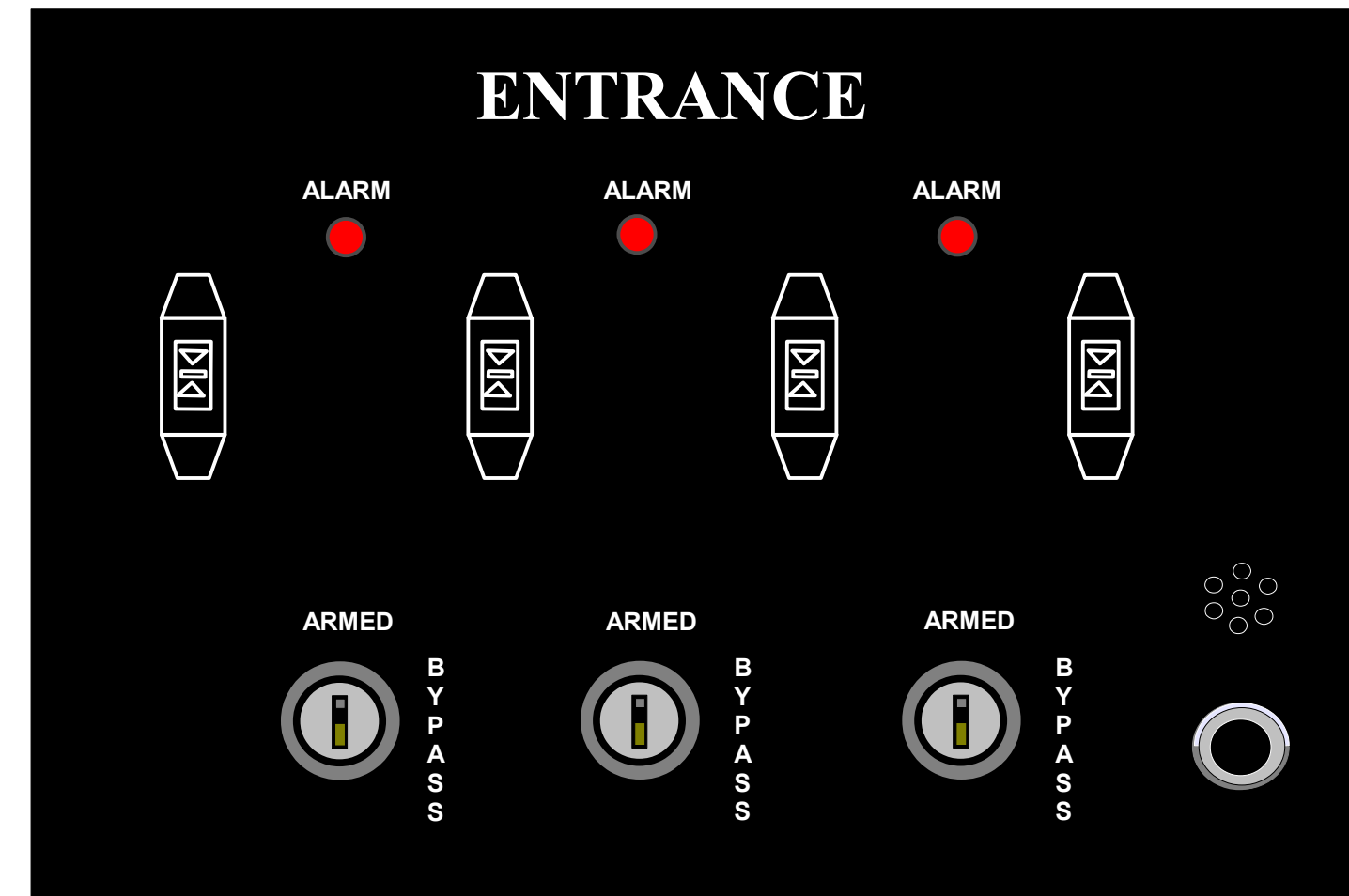
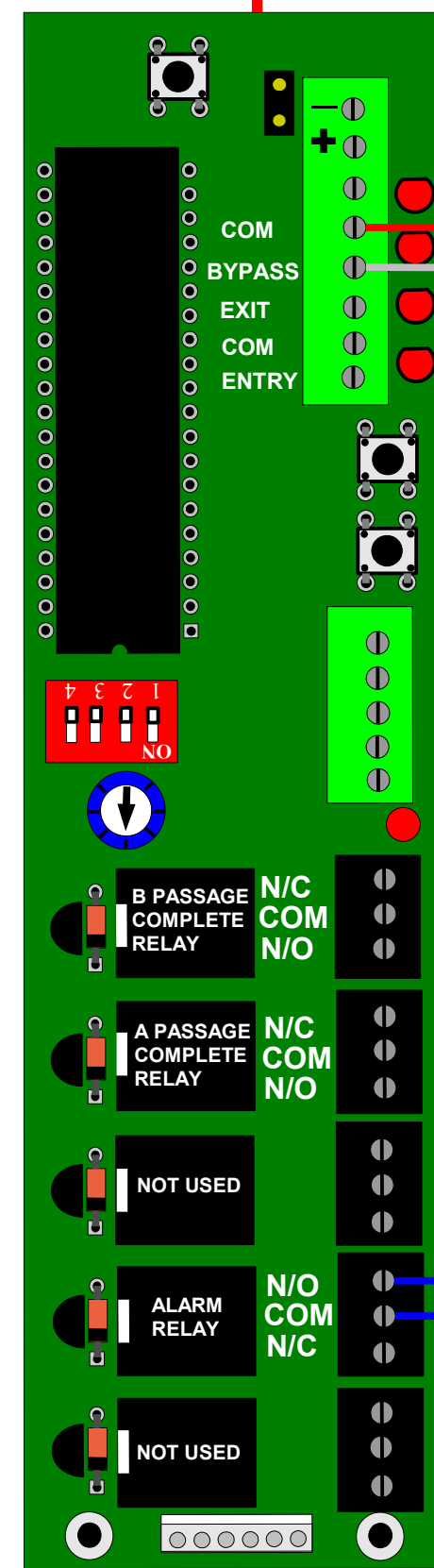
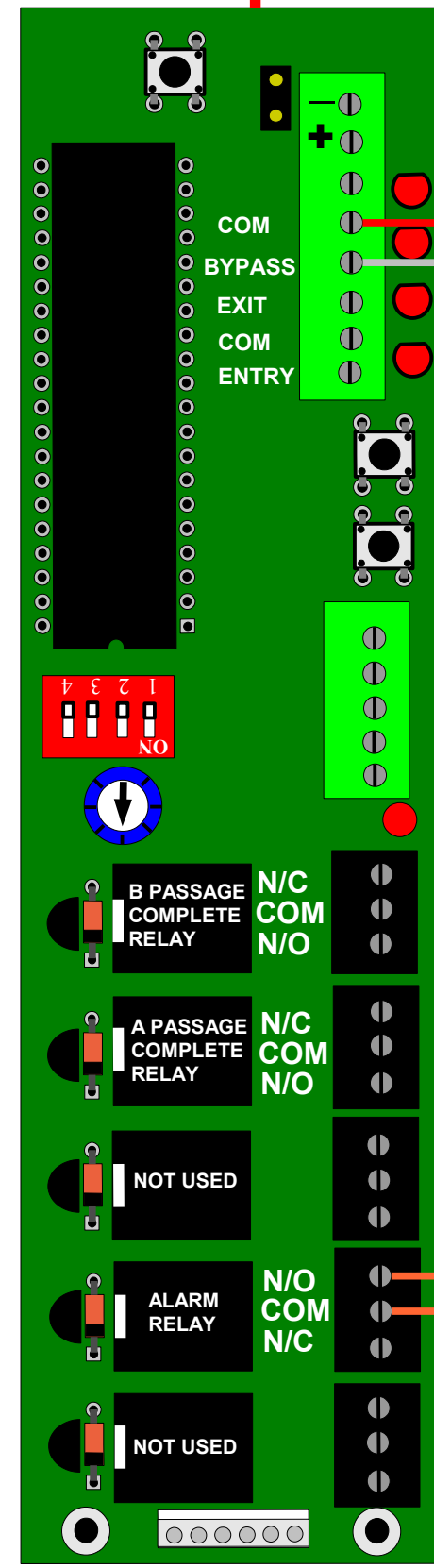
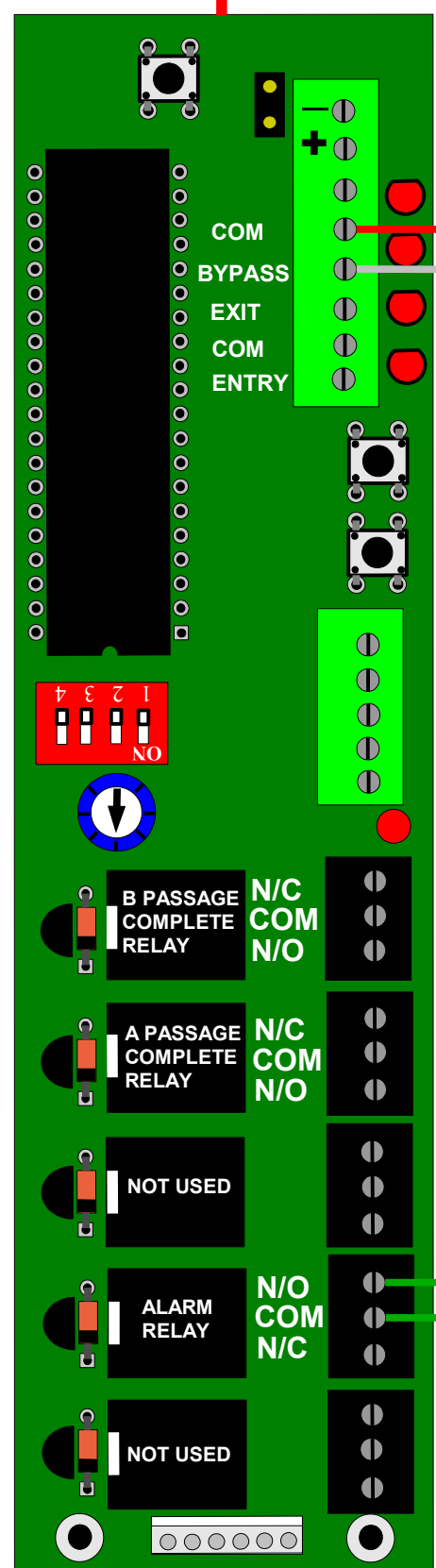
Exit Side

Lane 2
Entry Side

Exit Side

Lane 3
Entry Side

Exit Side



Desktop Controller
(Top View)

12 VDC
150mA
Power Supply
Sold Separately

Bypass Lane 1

Bypass Lane 2

Bypass Lane 3

Alarm Lane 1

Alarm Lane 2

Alarm Lane 3

Note:
Wire Gauge:
22 AWG = Signal wires
22 AWG = Power wires
(Power runs over 50 feet use 18 AWG)

Red -----Common
White -----N/O
Blue -----N/C

Alarms when the zone contacts close

Desktop Controller
(Back View)

Output
Global Alarm Relay
N/O dry contact.
500ma @30VDC

Desktop Specifications:

- Power: 12VDC at (150mA)
- Input: N/O dry contact
- Output: Key Switch Status. "Form C" dry contact
- Output: Global Alarm Relay. "N/O" dry contact
- Horn Volume: 70 db