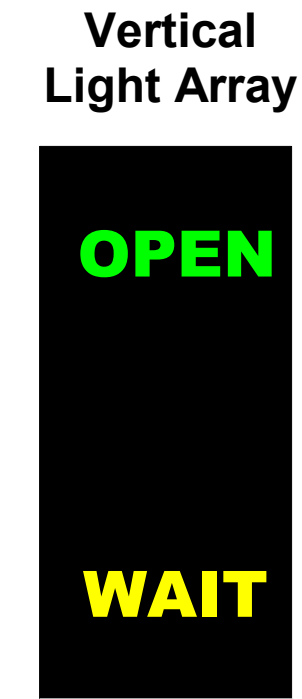
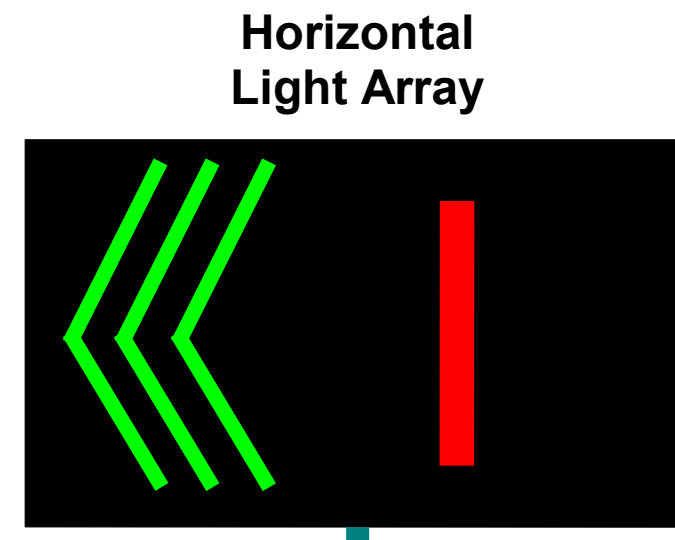
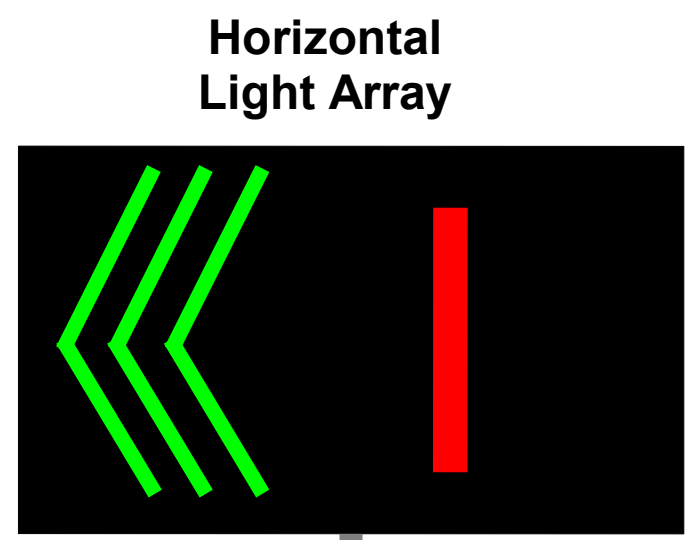
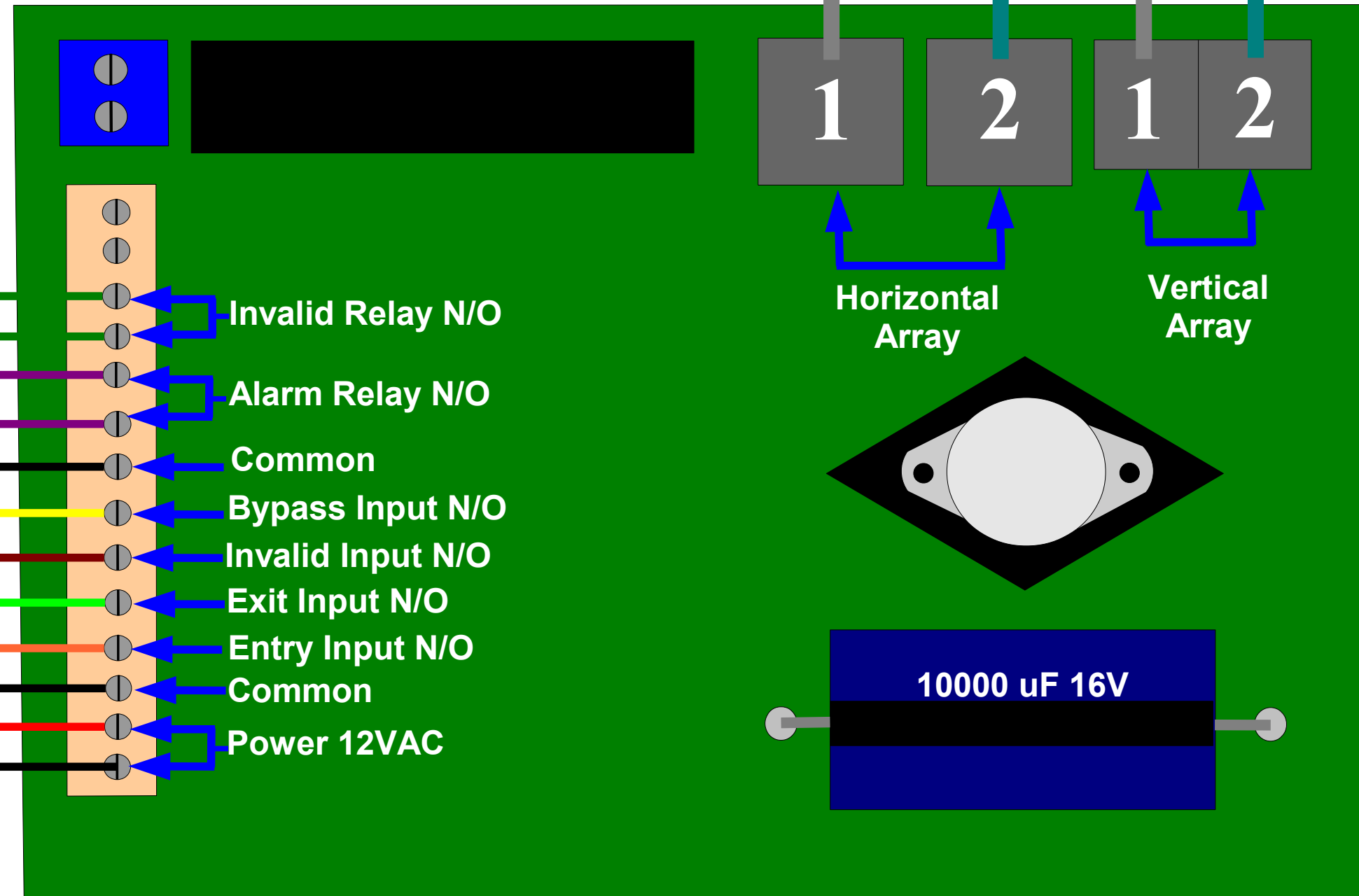
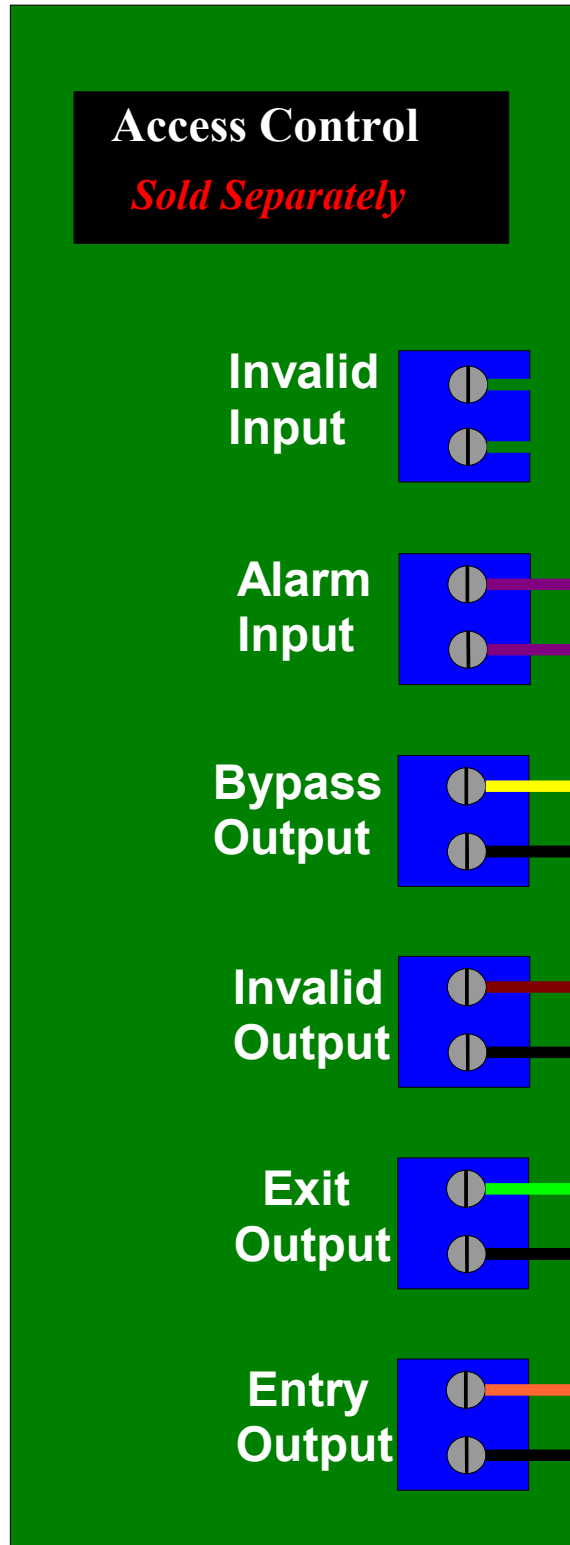


ES821-N0



Light Array Cables

Light Array Cables

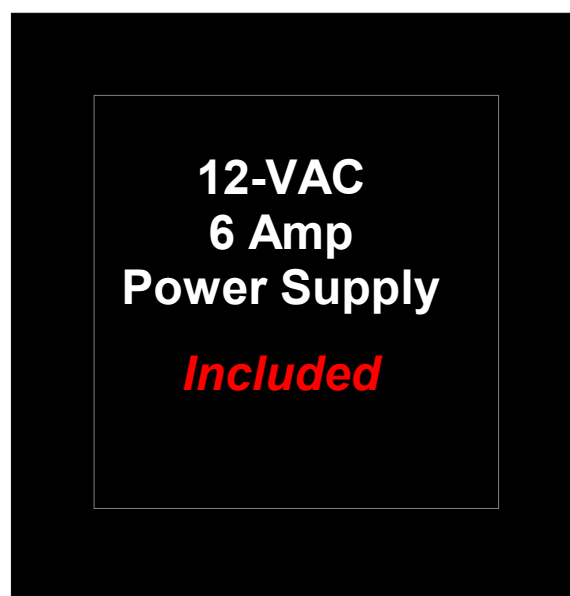


Specifications:

- Power: 12VAC at (6000ma)
- Output Relays: N/O contact 500ma at 30 VDC
- Piezo: 80 db Max @ 3 feet

Wire Gauge:

- 22 AWG = Signal wires
- 18 AWG = Power wires
- (Power runs 25-45 feet use 16 AWG)



Reflector Side