

D4550 Door Closer

The D4550 Series Closers are heavy-duty door closers constructed of high-silicon aluminum alloy for installation on exterior and interior doors that are subject to high use and potential abuse. They are designed and engineered for reliability and superior performance. The commercial applications for which these closers are ideal include schools, medical facilities, institutions, and hospitals as well as office buildings and any entrance door with high foot traffic.



Benefits

- All weather hydraulic fluid eliminates the need for seasonal adjustment
- R14 Hard High-Silicon Aluminum Alloy exceeds ANSI/BHMA A156.4 Grade 1 requirements
- Tri-pack includes everything needed in one part number for convenience

Features

- Full hydraulic checking controls the door through the full opening and closing cycles
- Compression-stop available
- Heavy duty forged-steel arms are interchangeable
- Hold-Open
- Adjustable backcheck upon opening and adjustable general and latch speeds through closing cycle
- Non-handed
- Stop
- Adjustable Delayed-Action speed through closing cycle
- Adjustable closing force

Arm Options

- L - Long Rod Forearm
- ED-CS - Extra Duty Parallel Arm with Compression Stop
- 1RG - Regular Arm
- H - Standard Hold Open
- ED-HS - Extra Duty Parallel Arm with Hold Open and Stop
- DA - Delayed Action
- HP - Standard Parallel Hold Open
- ED-HCS - Extra Duty Parallel Arm with Hold Open and Compression Stop
- EDA - Extra Duty Arm
- T - Track Arm
- EDA-H - Extra Duty Parallel Arm with Hold Open
- HT - Track Mount with Hold Open
- EDA-S - Extra Duty Parallel Arm with Stop

Technical Information

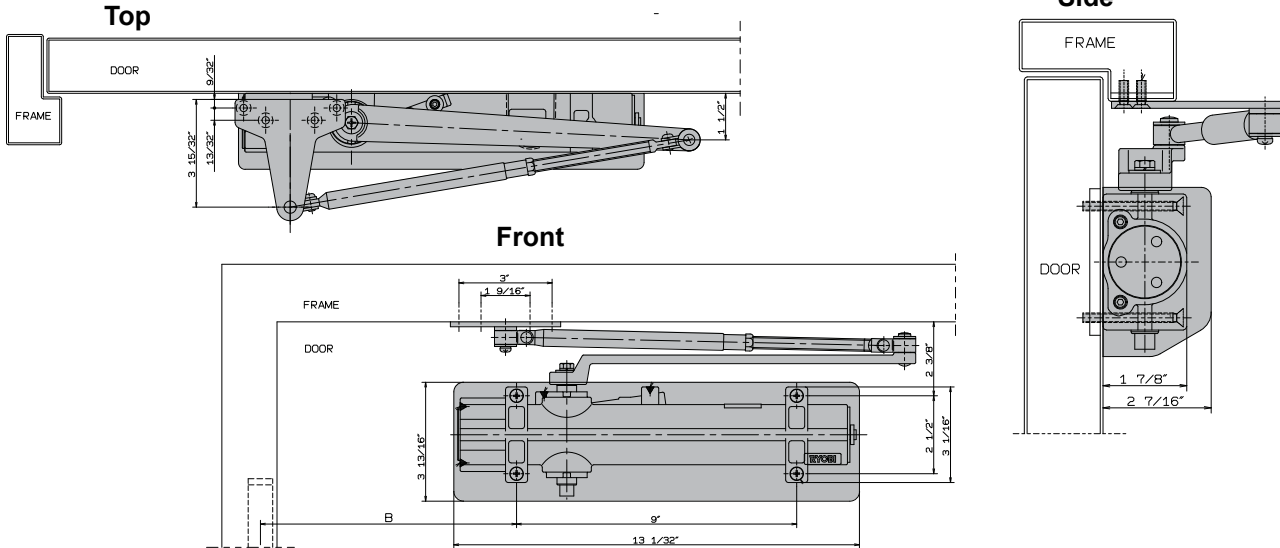
- Maximum door width: Interior: 60" Exterior: 48"
- Max door weight: 330 lbs
- Spring Strength: 1-6 Spring Variable
- Closing Force: 1-6 seconds Variable/Adjustable

Finishes

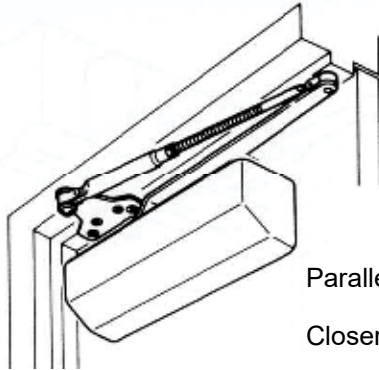
- Painted Aluminum-Silver (689)
- Painted Dark Bronze (695)
- Painted Black (693)

Dimensions

Parallel arm dimensions shown



Riser Diagram

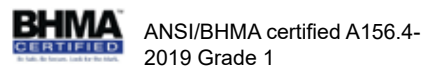


Parallel arm application shown
Closer mounted on push side of door

Detex Limited Warranty

10 Year Limited Manufacturer's Warranty

Listings and Approvals



Detex Corporation
302 Detex Drive
New Braunfels, Texas 78130-3045 USA
PH. (830) 629-2900
(800) 729-3839
FAX (800) 653-3839
<http://www.detex.com>
USA Sales:
marketing@detex.com
International Sales:
export@detex.com

Cancer & Reproductive Harm - www.detex.com/prop65