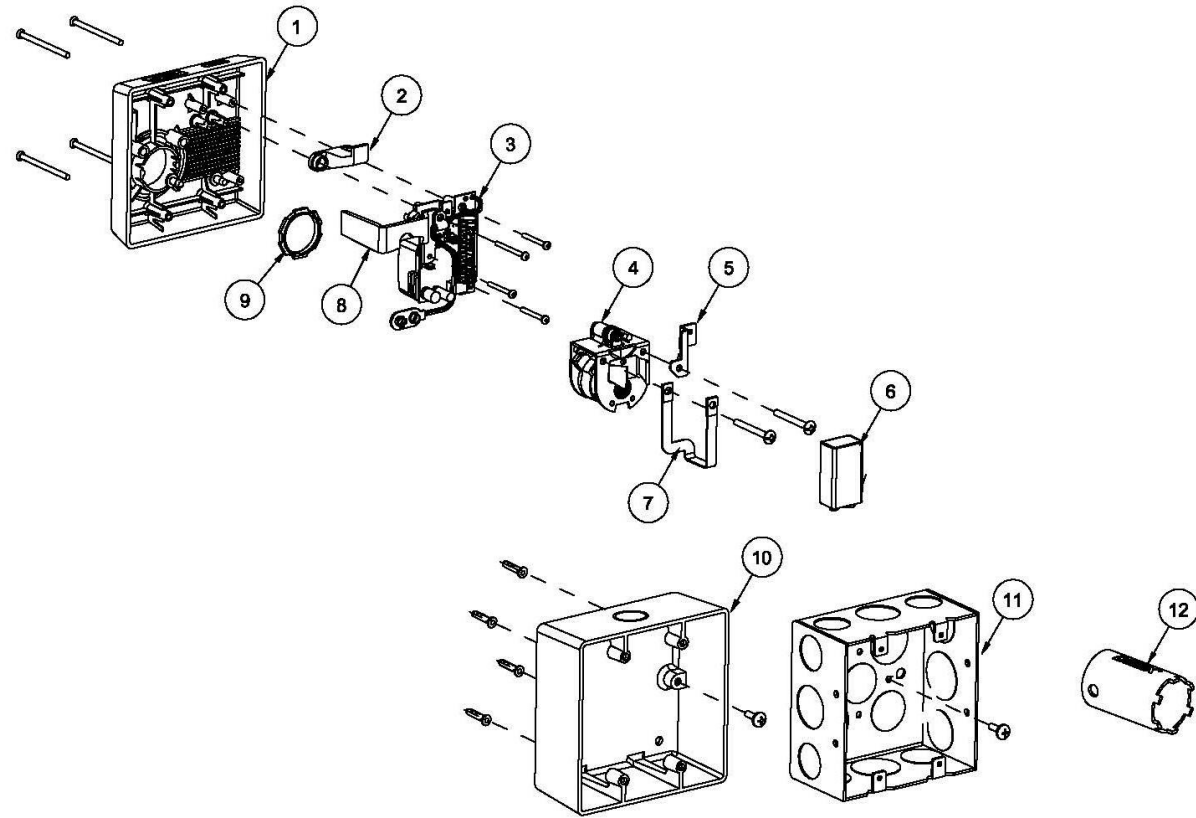




EAX-2500 Parts List



| Item | Order Part# | Description | Price |
|------|-------------|--------------------------------|----------|
| 1 | 105430-1 | Cover, gray | \$31.15 |
| | 105430-2 | Cover, black | \$31.15 |
| 2 | 102619 | Plunger, security | \$0.67 |
| 3 | 102661 | Circuit board kit | \$262.22 |
| 4 | 102660 | Cam assembly kit | \$38.21 |
| 5 | 102701 | Tamper bracket | \$7.91 |
| 6 | PP-5567 | 9 Volt battery | \$10.00 |
| 7 | 104448 | Ground Strap | \$25.59 |
| 8 | 102631 | Guard, IKC switch | \$0.85 |
| 9 | 100783 | Cylinder nut | \$7.00 |
| 10 | 102649-1 | Backbox, gray | \$34.26 |
| | 102649-2 | Backbox, black | \$52.71 |
| 11 | 102629 | Box, outlet, double gang | \$23.72 |
| 12 | 103779 | Cylinder nut socket (optional) | \$51.17 |

NOTE: Your particular part or configuration may not be shown: Contact Detex technical support at 800-729-3839 (option 2)

September 2, 2022

