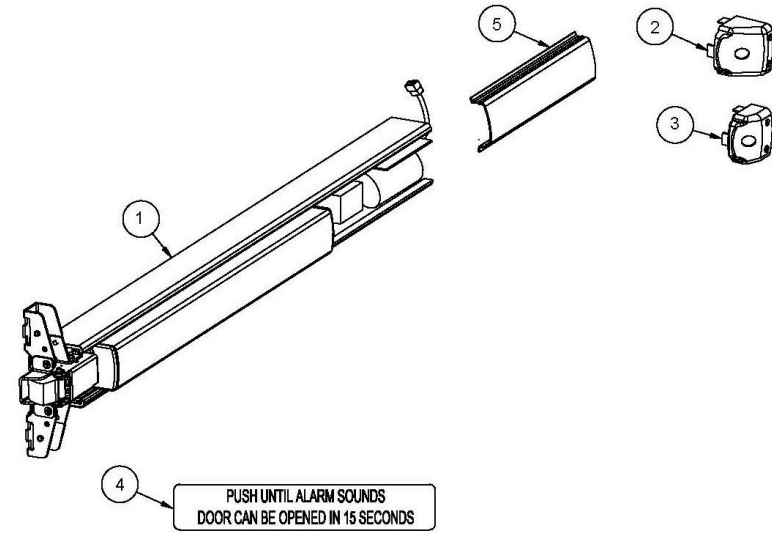




# EE ER Parts List



Item	Order Part#	Description	Price
1	105500-56	Centercase/Pushpad SubAssembly, 10 series, EE-ER, 36", 630 finish	\$626.28
	105500-79	Centercase/Pushpad SubAssembly, 10 series, EE-ER, 48", 630 finish	\$626.28
	105500-110	Centercase/Pushpad SubAssembly, RHR 20 series, EE-ER, 36", 630 finish	\$626.28
	105500-14	Centercase/Pushpad SubAssembly, RHR 20 series, EE-ER, 48", 630 finish	\$626.28
2	102095-9	EC1 Endcap 630 finish (drilled for Flex Conduit)	\$151.53
3	104686-1	EC2 Endcap, Aluminum, Aluminum painted (drilled for Flex Conduit)	\$125.18
	104317-9	EC2 Endcap, Stainless Steel 630 finish (drilled for Flex Conduit)	\$123.86
4	ECL-395	Door Sign, 15 second delayed egress	\$18.00
	ECL-395-1	Door Sign, 30 second delayed egress	\$18.00
5	100860-59	Filler, 10 series, 36" device, 630 finish	\$164.70
	100860-60	Filler, 10 series, 48" device, 630 finish	\$166.03
	100860-146	Filler, 20 series, 36" device, 630 finish	\$699.25
	100860-147	Filler, 20 series, 48" device, 630 finish	\$699.25

NOTE: Your particular part or configuration may not be shown: Contact Detex technical support at 800-729-3839 (option 2)

