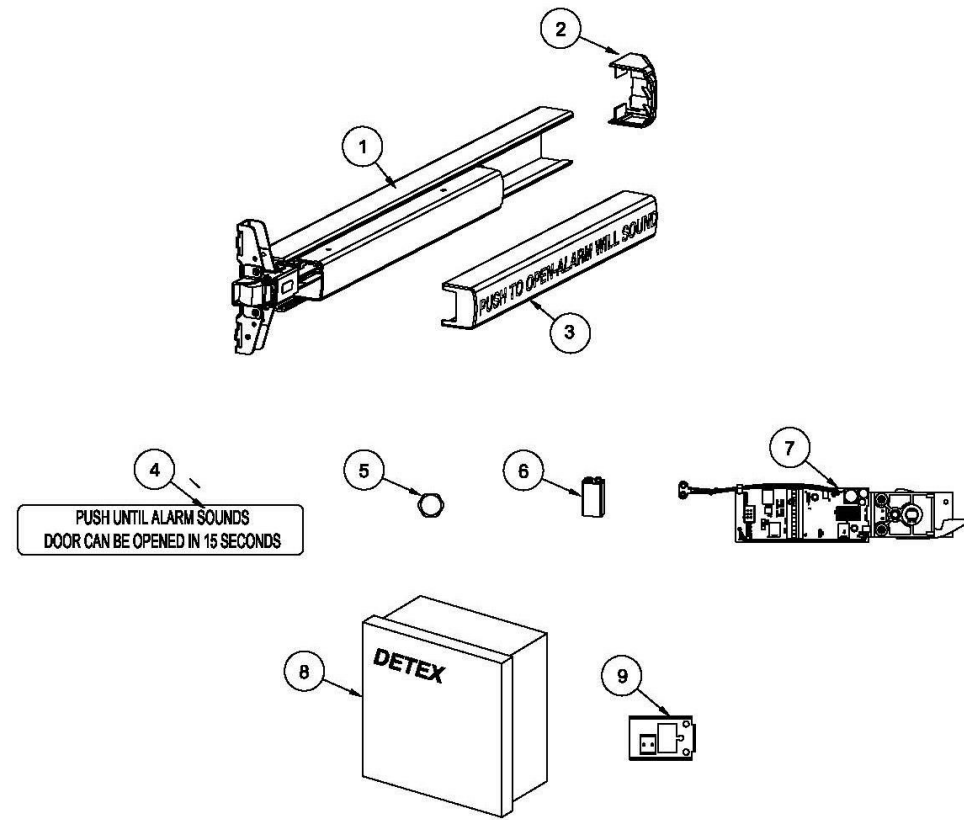


VALUE SERIES®



EE Parts List

Item	Order Part#	Description	Price
1	106900-11	Centercase/Pushpad SubAssembly, S&R V40, EE, 36"	\$988.92
	106900-13	Centercase/Pushpad SubAssembly, S&R V40, EE, 48"	\$1,028.97
	106900-14	Centercase/Pushpad SubAssembly, S&R V50/V51, EE, 36"	\$1,311.52
	106900-15	Centercase/Pushpad SubAssembly, S&R V50/V51, EE, 48"	\$1,352.68
2	101822	Endcap, Value Series	\$7.91
3	101810-1	Pushpad Wrap, 3-0	\$26.25
	101815-1	Pushpad Wrap, 4-0	\$20.02
4	ECL-395	Door Sign, 15 second delayed egress	\$18.00
	ECL-395-1	Door Sign, 30 second delayed egress	\$18.00
5	100783	Hex Nut (for cylinder installation)	\$7.00
6	PP-5567	9V Battery	\$10.00
7	105032-3	Value Series, Rim, EE fillerplate, 3 ft, 15/15	\$369.32
	105032-4	Value Series, Rim, EE fillerplate, 4 ft, 15/15	\$375.99
	105032-15	Value Series, Rim, EE fillerplate, 3 ft, 1/15 SA	\$353.74
	105032-16	Value Series, Rim, EE fillerplate, 4 ft, 1/15 SA	\$355.97
	105031-3	Value Series, SVR, EE fillerplate, 3 ft, 15/15	\$438.29
	105031-4	Value Series, SVR, EE fillerplate, 4 ft, 15/15	\$446.07
	105031-15	Value Series, SVR, EE fillerplate, 3 ft, 1/15 SA	\$353.74
	105031-16	Value Series, SVR, EE fillerplate, 4 ft, 1/15 SA	\$355.97
8	90-800	90-800 Power Supply	\$783.00
9	101844	Endcap Bracket	\$11.87

NOTE: Your particular part or configuration may not be shown: Contact Detex technical support at 800-729-3839 (option 2)

September 2, 2022