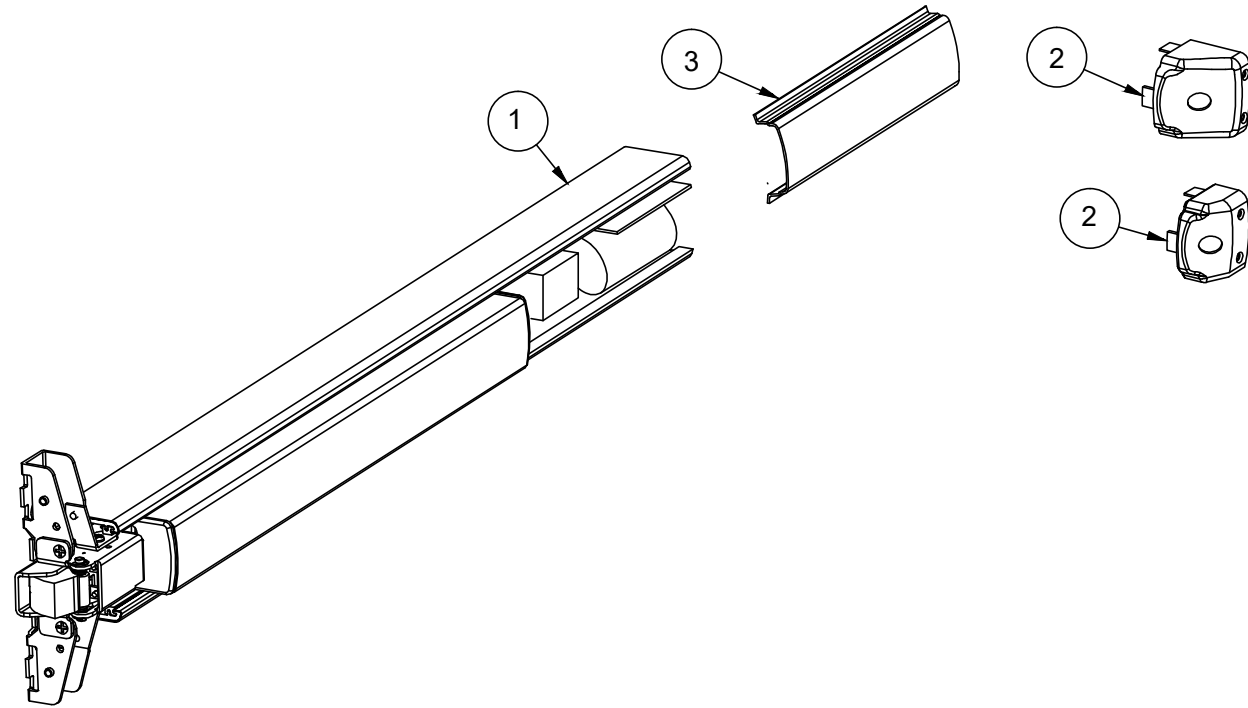


ER EX Models Parts List



Item	Order Part #	Description	List Price
1	105500-10	Centercase/Pushpad SubAssembly, 10 series, ER, 36", 630 finish	\$475.30
	105500-35	Centercase/Pushpad SubAssembly, 10 series, ER, 48", 630 finish	\$475.30
	105500-8	Centercase/Pushpad SubAssembly, RHR 20 series, ER, 36", 630 finish	\$475.30
	105500-32	Centercase/Pushpad SubAssembly, RHR 20 series, ER, 48", 630 finish	\$475.30
2	102095-9	EC1 Endcap, Advantex (630 finish prepped for conduit)	\$115.00
	104686-1	EC2 Endcap, Advantex, Aluminum (Aluminum painted 628 finish prepped for conduit)	\$95.00
	104317-9	EC2 Endcap, Advantex, Stainless Steel (630 finish prepped for conduit)	\$94.00
3	100860-59	Filler, 10 series, 36" device, 630 finish	\$111.00
	100860-60	Filler, 10 series, 48" device, 630 finish	\$126.00
	100860-146	Filler, 20 series, 36" device, 630 finish	\$530.68
	100860-147	Filler, 20 series, 48" device, 630 finish	\$530.68

Detex Power Supply Catalog No:
 90-800 ED Single Door application
 80-800 ED Single Door application
 81-800 ER Single Door application
 82-800 ER Double Door application
 83-800 ER Double Door Independent Operation application

Power Supply / Controller sold separately

Your particular part or configuration may not be shown:
 Contact Detex technical support at 800-729-3839 (option 2)