



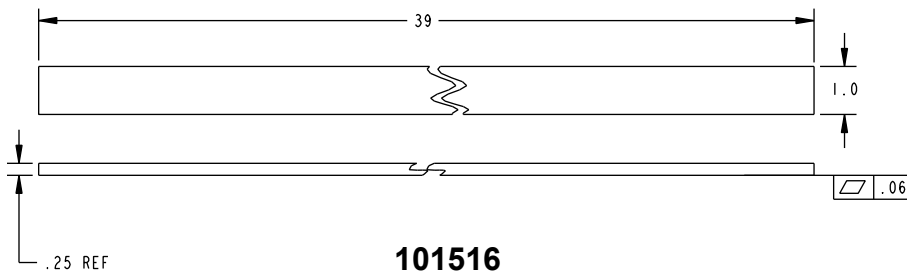
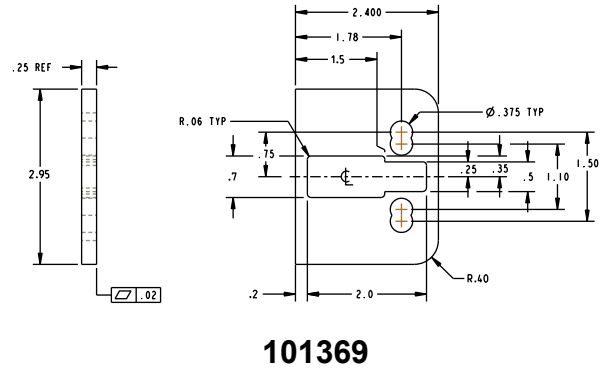
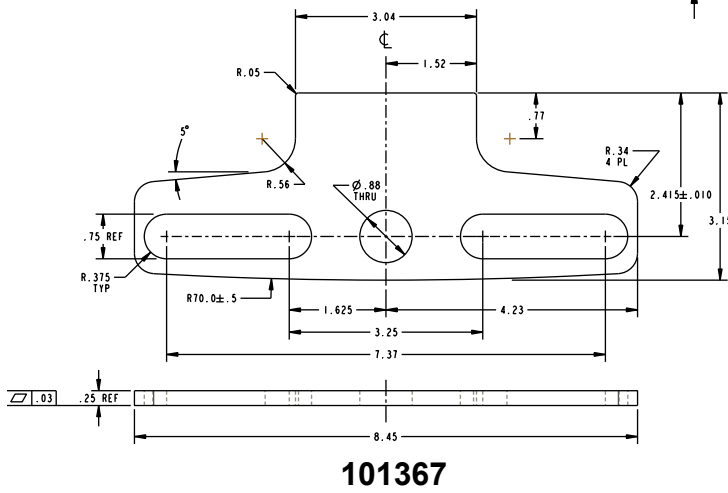
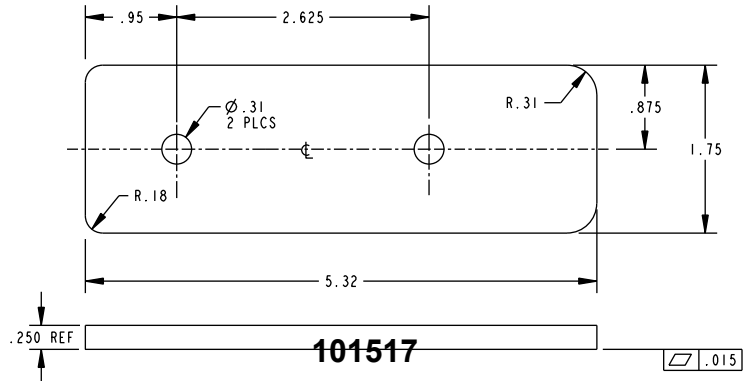
## GB6 Glass Bead Kit

The GB6 glass bead kit is used as a 1/4" shim for flush doors with light kit moldings. The GB6 is for use with the Advantex 51 Series Narrow Stile Top Rod Only Surface Vertical Rod Exit Device at a 7-foot height.

### Glass Bead Kit For EC1 Endcap

Included in this kit:

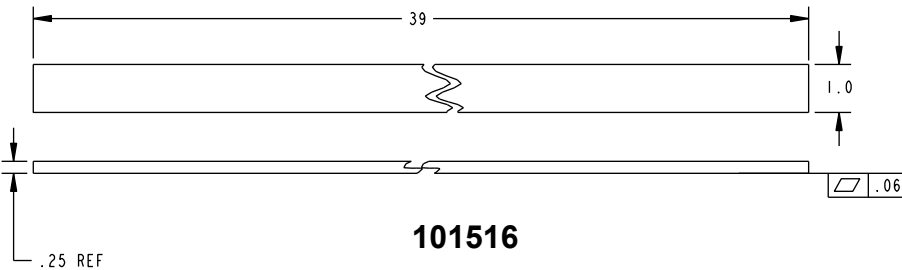
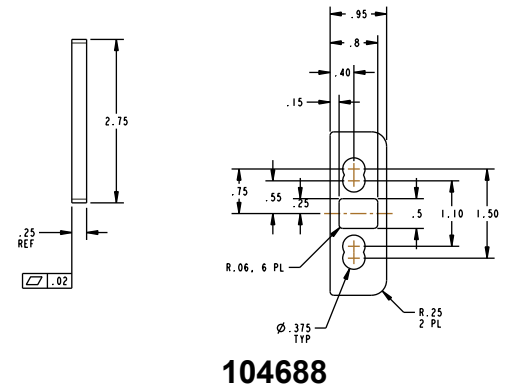
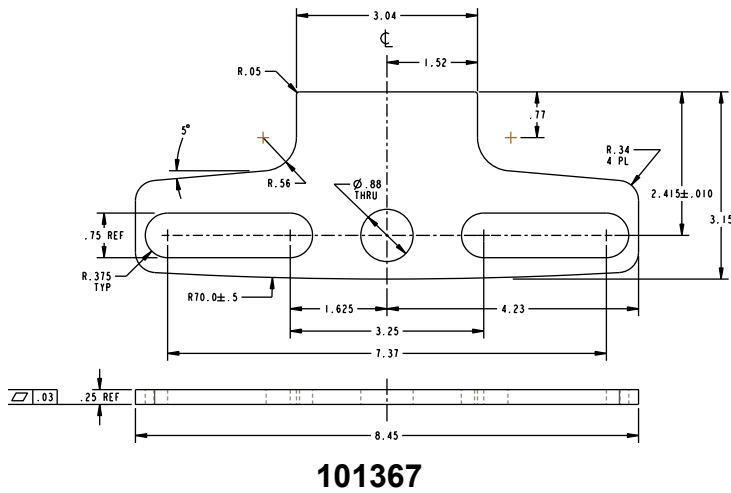
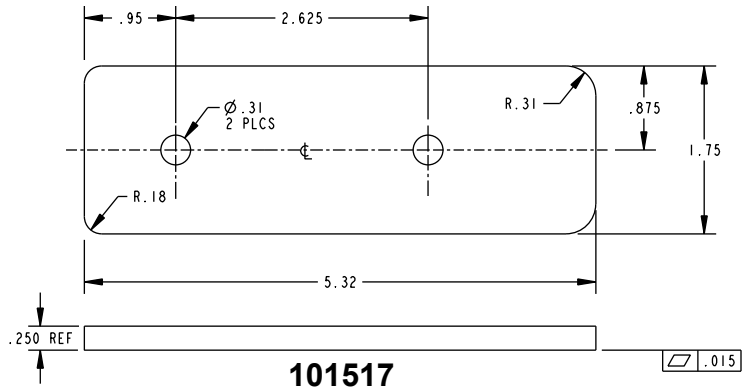
- 1x- 101517
- 1x- 101516
- 1x- 101368
- 1x- 101367




**Glass Bead Kit For EC2 Endcap**

Included in this kit:

- 1x- 101517
- 1x- 101516
- 1x- 101367
- 1x- 104688



Detex Corporation  
 302 Detex Drive  
 New Braunfels, Texas 78130-3045 USA  
 PH. (830) 629-2900  
 (800) 729-3839  
 FAX (800) 653-3839  
 http://www.detex.com  
 USA Sales:  
 marketing@detex.com  
 International Sales:  
 export@detex.com

 Cancer & Reproductive Harm - www.detex.com/prop65