

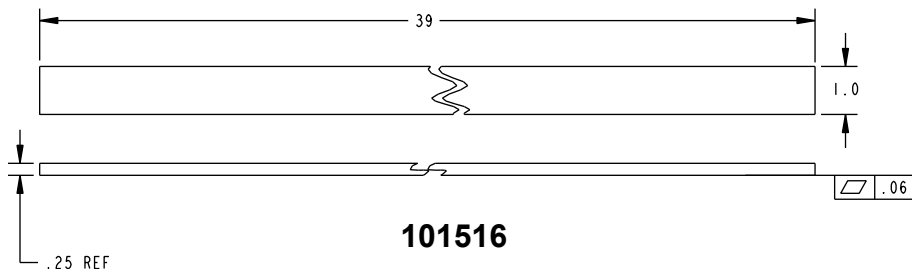
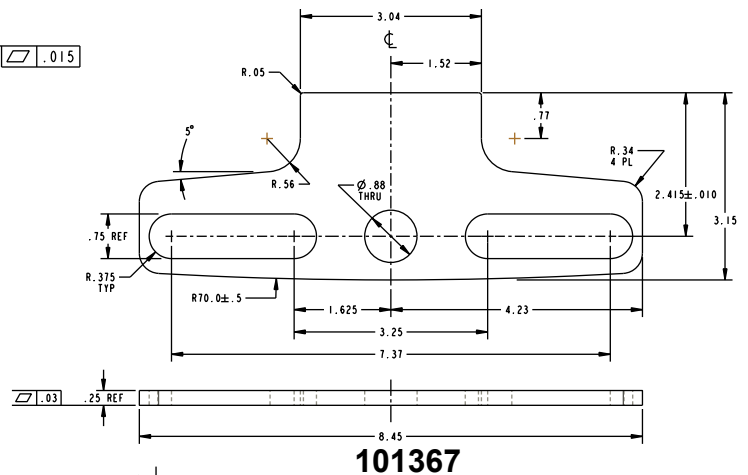
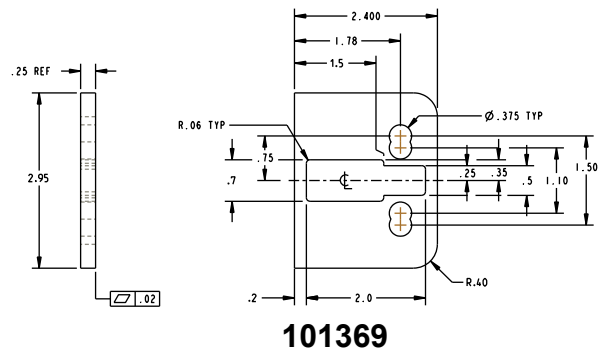
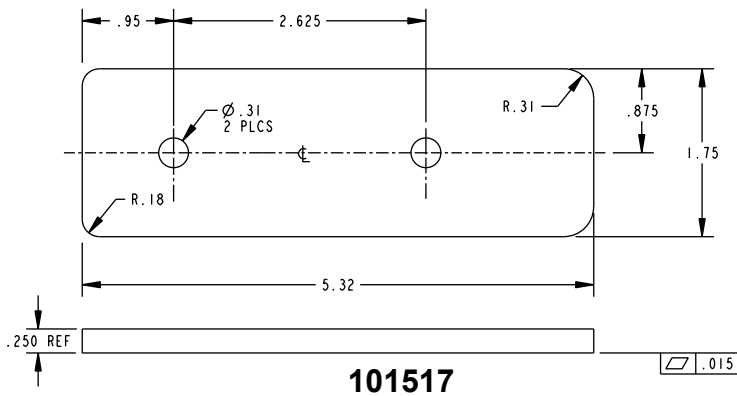
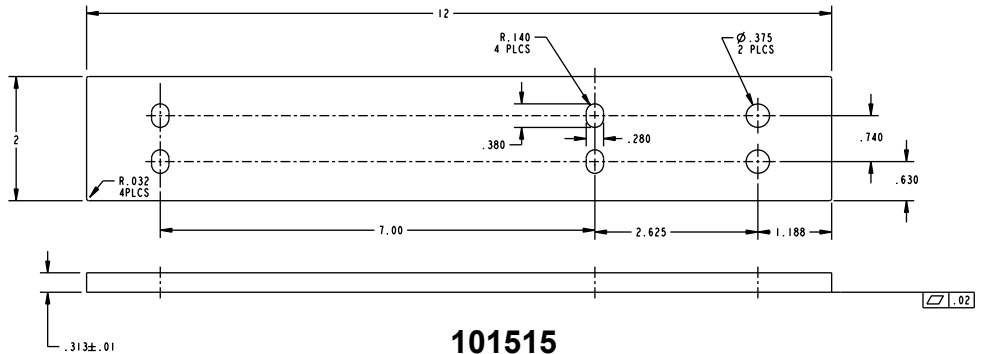
## GB5 Glass Bead Kits

The GB5 glass bead kit is used as a 1/4" shim for flush doors with light kit moldings. The GB5 is for use with the Value Series V50 Surface Vertical Rod Exit Device and the Advantex 50 Series Narrow Stile Surface Vertical Rod Exit Device at a 7-foot height.

### Glass Bead Kit For EC1 Endcap

Included in this kit:

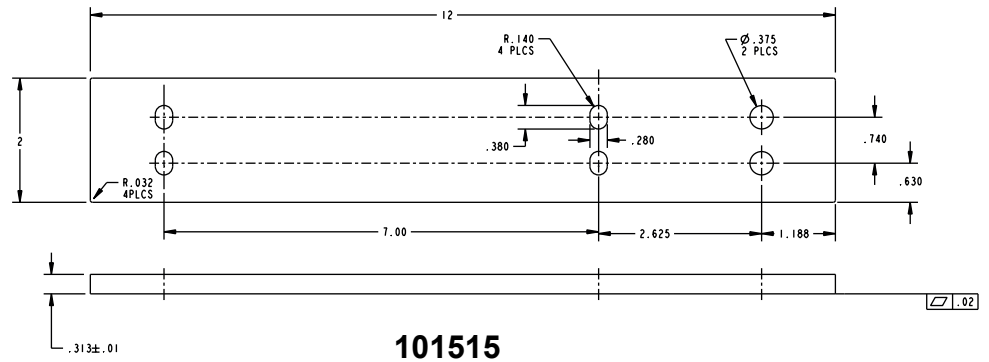
- 1x- 101517
- 2x- 101516
- 1x- 101515
- 1x- 101367
- 1x- 101369



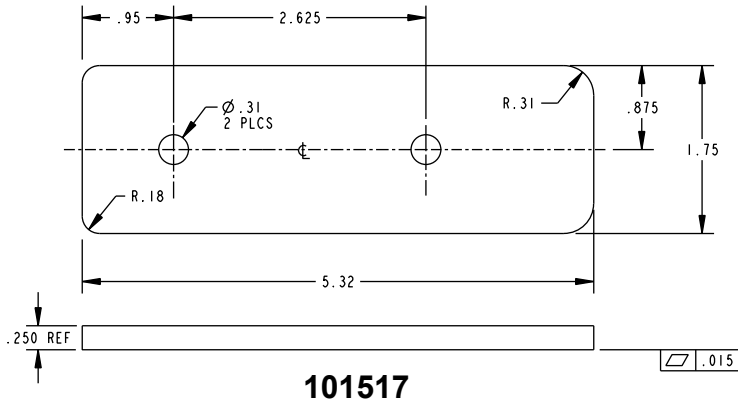
# Glass Bead Kit For EC2 Endcap

Included in this kit:

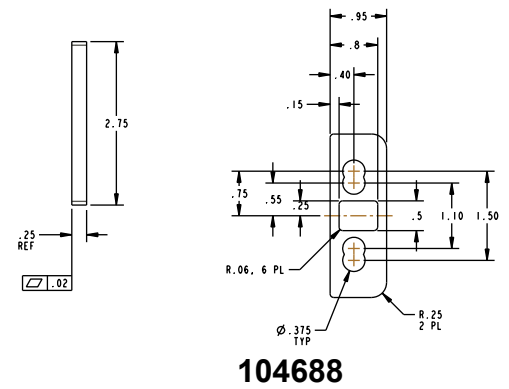
- 1x- 101517
- 2x- 101516
- 1x- 101515
- 1x- 101368
- 1x- 104688



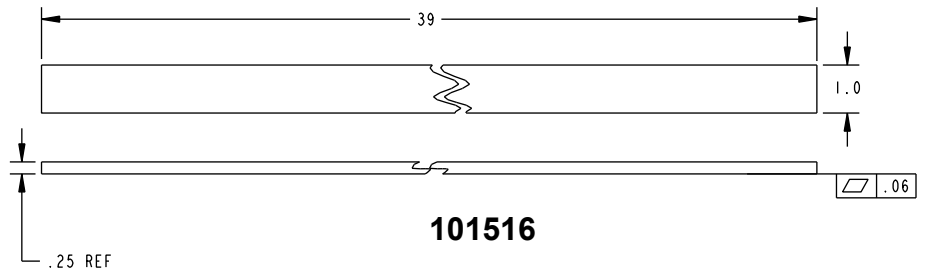
**101515**



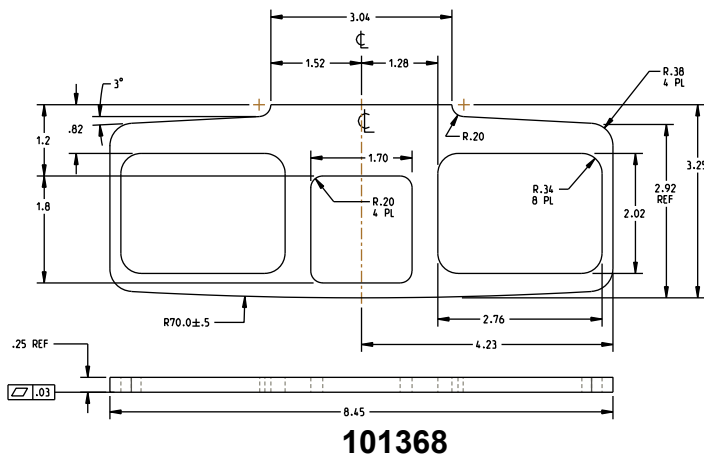
**101517**



**104688**



**101516**



**101368**



Detex Corporation  
 302 Detex Drive  
 New Braunfels, Texas 78130-3045 USA  
 PH. (830) 629-2900  
 (800) 729-3839  
 FAX (800) 653-3839  
<http://www.detex.com>  
 USA Sales:  
[marketing@detex.com](mailto:marketing@detex.com)  
 International Sales:  
[export@detex.com](mailto:export@detex.com)

 Cancer & Reproductive Harm - [www.detex.com/prop65](http://www.detex.com/prop65)