



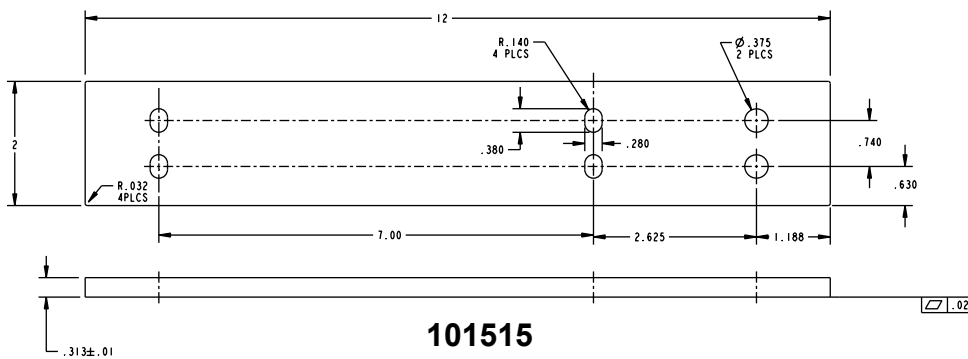
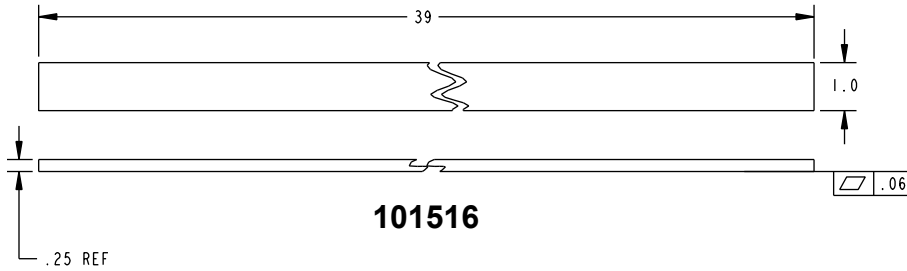
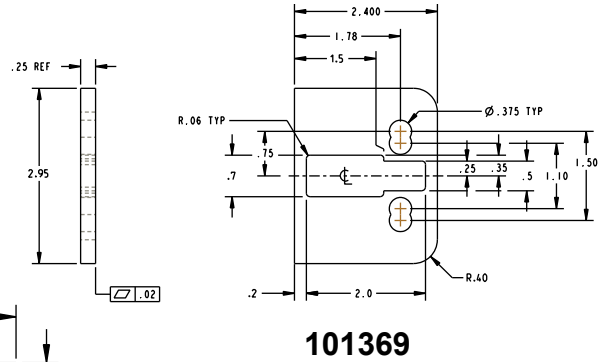
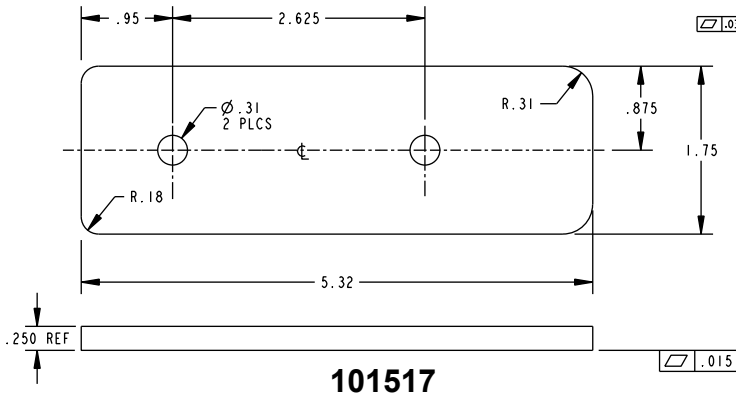
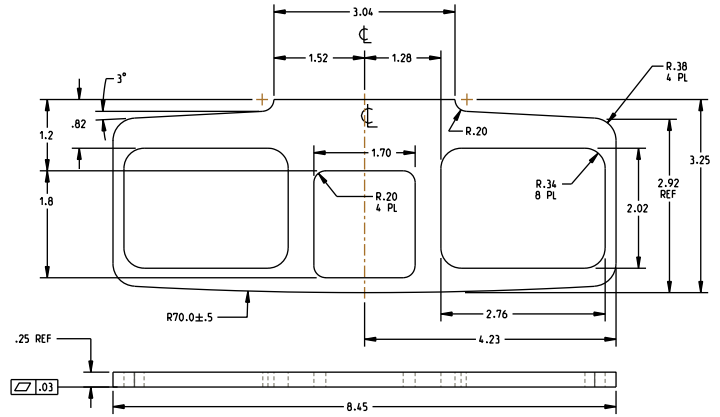
## GB3 Glass Bead Kit

The GB3 glass bead kit is used as a 1/4" shim for flush doors with light kit moldings. The GB3 is for use with the Advantex 20 Series Surface Vertical Rod Exit Device at a 7-foot height.

### Glass Bead Kit For EC1 Endcap

Included in this kit:

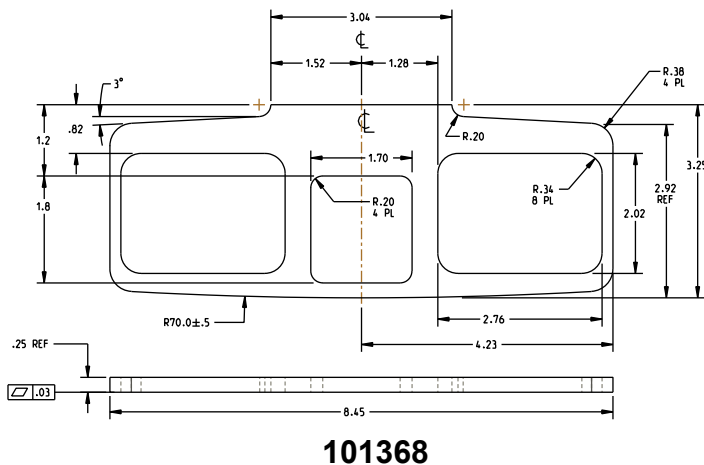
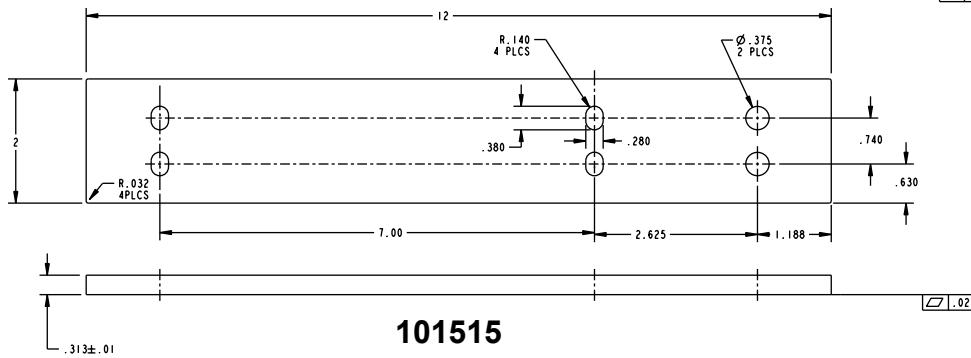
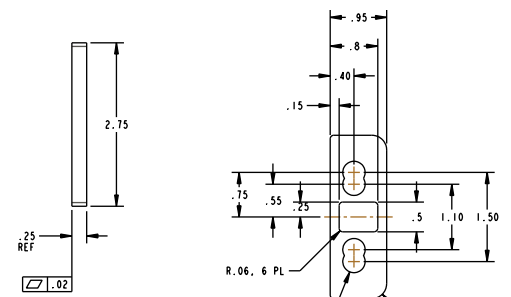
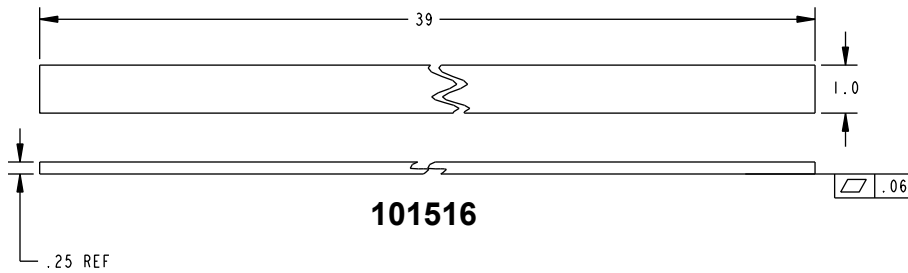
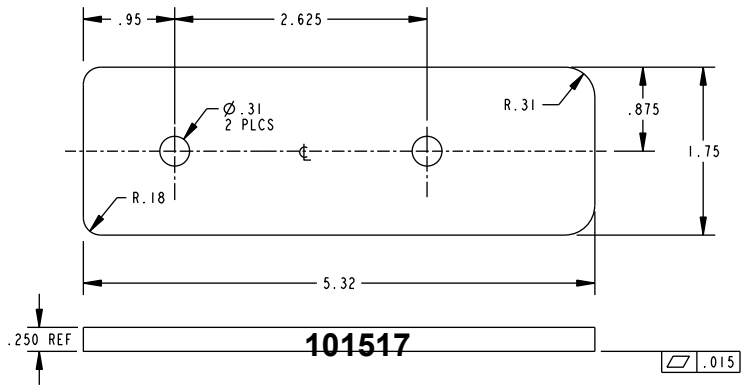
- 1x- 101517
- 2x- 101516
- 1x- 101515
- 1x- 101368
- 1x- 101369



# Glass Bead Kit For EC2 Endcap

Included in this kit:

- 1x- 101517
- 2x- 101516
- 1x- 101515
- 1x- 101368
- 1x- 104688



Detex Corporation  
302 Detex Drive  
New Braunfels, Texas 78130-3045 USA

PH. (830) 629-2900

(800) 729-3839

FAX (800) 653-3839

http://www.detex.com

USA Sales:

marketing@detex.com

International Sales:

export@detex.com

Cancer & Reproductive Harm - www.detex.com/prop65