



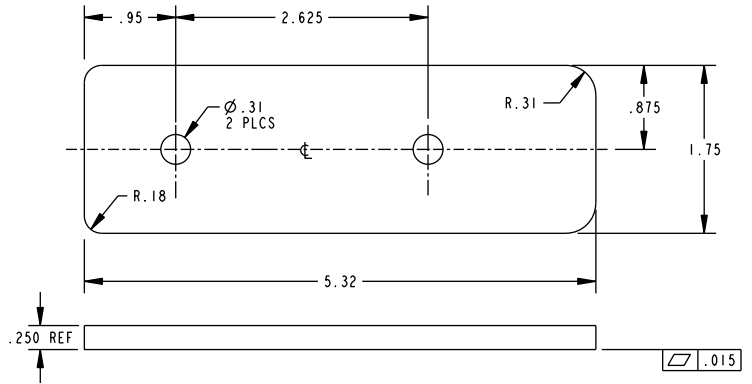
## GB12 Glass Bead Kits

The GB12 glass bead kit is used as a 1/4" shim for flush doors with light kit moldings. The GB12 is for use with the Advantex 21 Series Top Rod Only Surface Vertical Rod Exit Device at a 10-foot height.

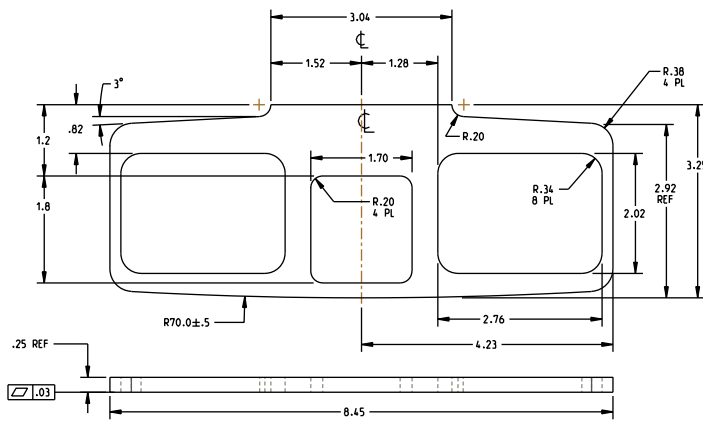
### Glass Bead Kit For EC1 Endcap

Included in this kit:

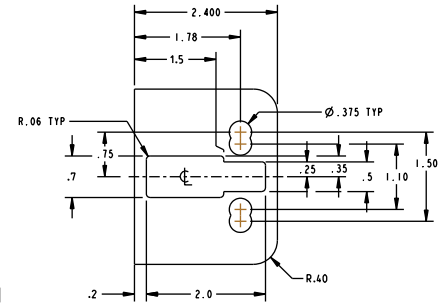
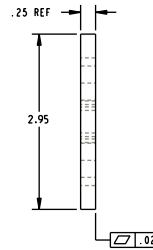
- 1x- 101517
- 2x- 101516
- 1x- 101368
- 1x- 104688



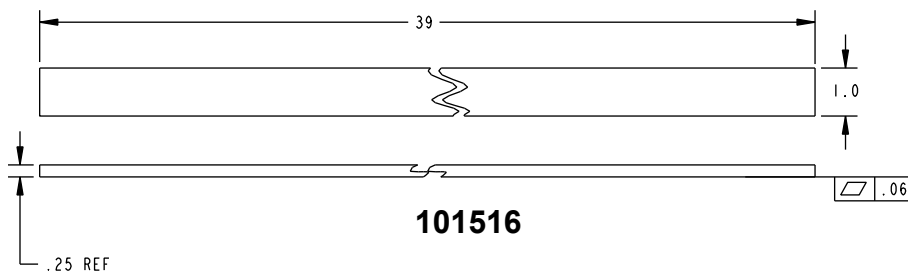
101517



101368



101369

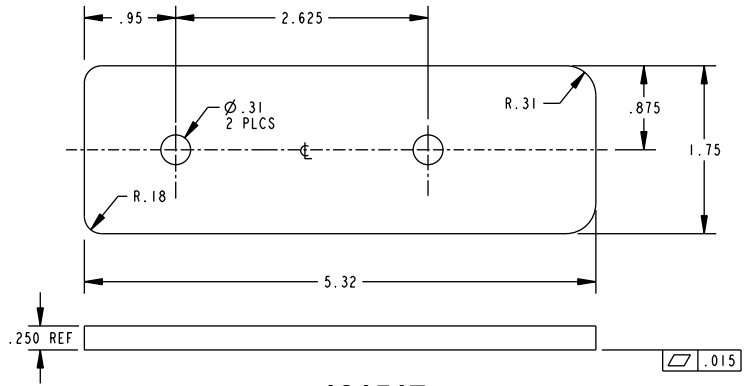


101516

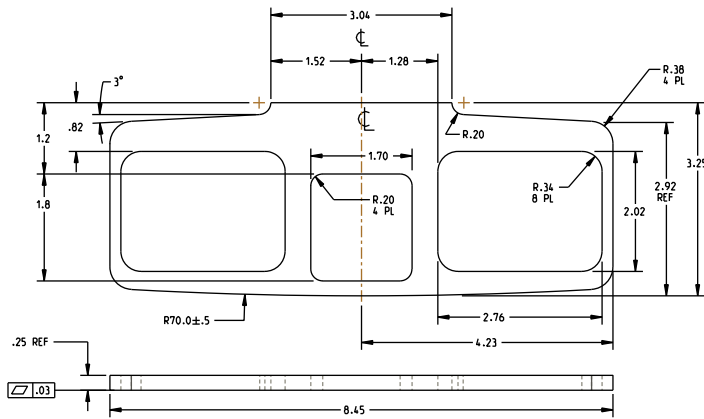
# Glass Bead Kit For EC2 Endcap

Included in this kit:

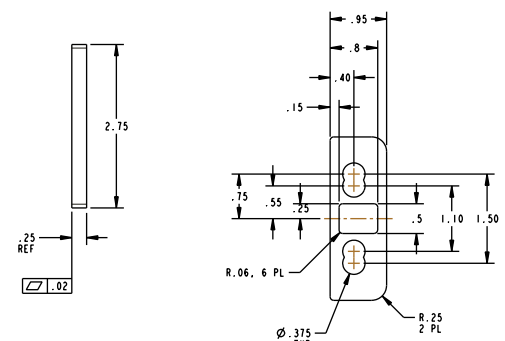
- 1x- 101517
- 2x- 101516
- 1x- 101368
- 1x- 104688



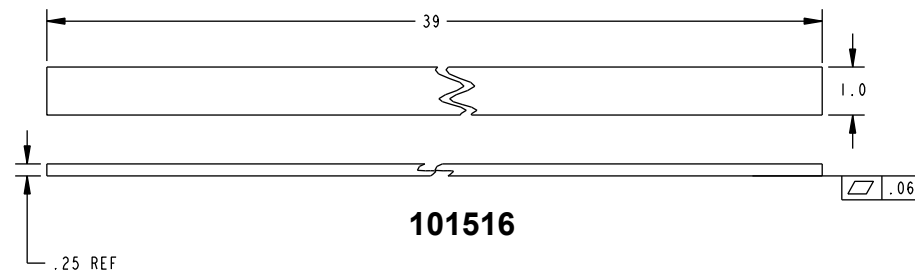
**101517**



**101368**



**104688**



**101516**



Detex Corporation  
 302 Detex Drive  
 New Braunfels, Texas 78130-3045 USA  
 PH. (830) 629-2900  
 (800) 729-3839  
 FAX (800) 653-3839  
 http://www.detex.com  
 USA Sales:  
 marketing@detex.com  
 International Sales:  
 export@detex.com

 Cancer & Reproductive Harm - [www.detex.com/prop65](http://www.detex.com/prop65)