



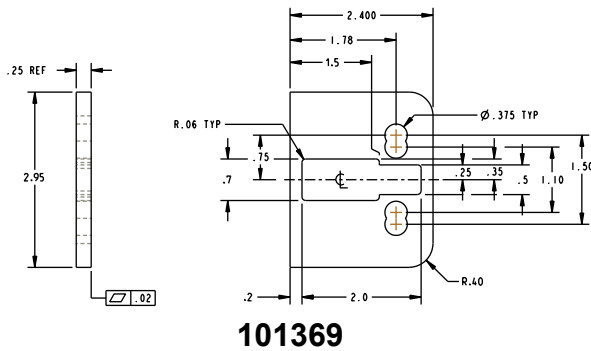
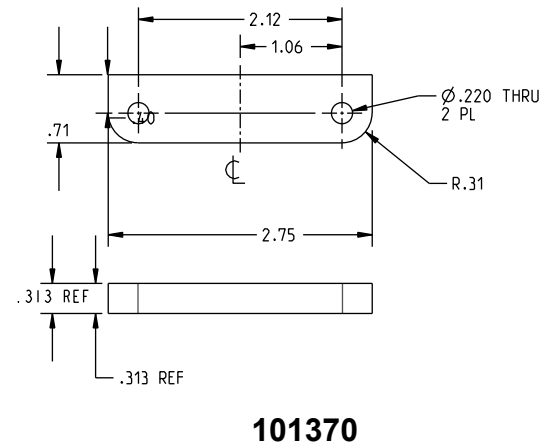
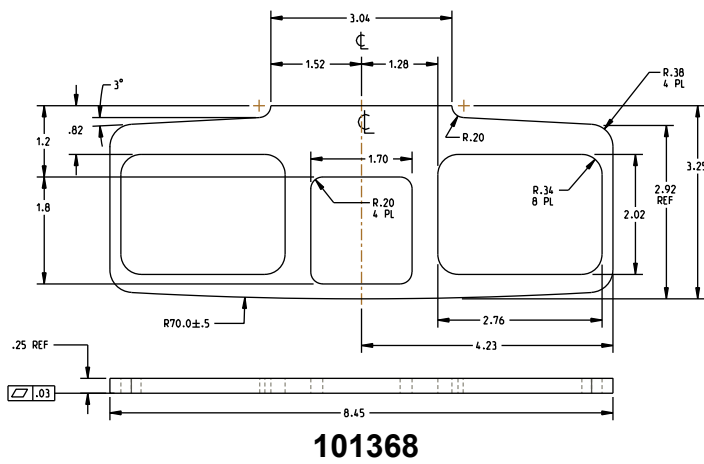
## GB1 Glass Bead Kit

The GB1 glass bead kit is used as a 1/4" shim for flush doors with light kit moldings. The GB1 is for use with the Advantex 10 Series Rim Exit Device, 70 Series Concealed Vertical Rod Exit Device, and 80 Series Concealed Vertical Rod Exit Device.

## Glass Bead Kit For EC1 Endcap

Included in this kit:

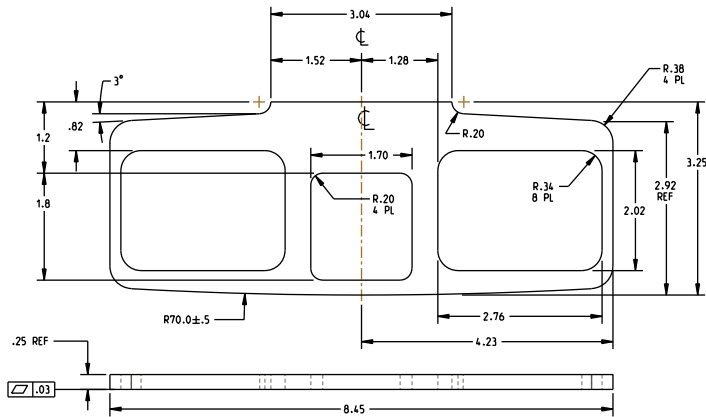
- 1x- 101368
- 1x- 101369
- 1x- 101370



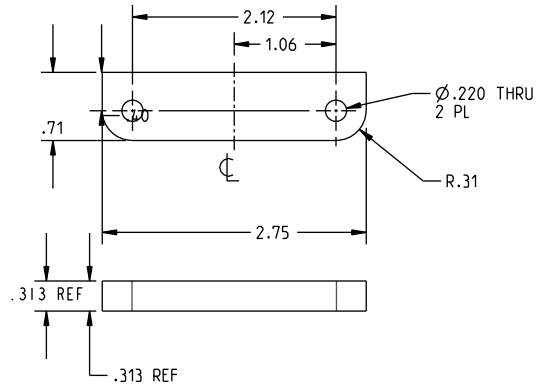
# Glass Bead Kit For EC2 Endcap

Included in this kit:

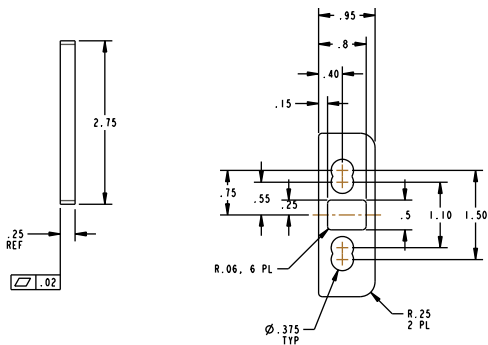
- 1x- 101368
- 1x- 101370
- 1x- 104688



**101368**



**101370**



**104688**



Detex Corporation  
 302 Detex Drive  
 New Braunfels, Texas 78130-3045 USA  
 PH. (830) 629-2900  
 (800) 729-3839  
 FAX (800) 653-3839  
<http://www.detex.com>  
 USA Sales:  
[marketing@detex.com](mailto:marketing@detex.com)  
 International Sales:  
[export@detex.com](mailto:export@detex.com)

Cancer & Reproductive Harm - [www.detex.com/prop65](http://www.detex.com/prop65)