

# EasyKit® WDEx10EX

## Weatherized Delayed Egress With Electromagnetic Lock

The WDE EasyKits provide a secure 2-point locking system with 15-second delay and 100dB alarm when someone attempts to exit. The WDE EasyKit is perfect for garden center gates, amusement parks, sports arenas and any location exposed to weather or moisture where delayed exit is required. Although ideal in helping prevent theft, in applications such as outdoor childcare and assisted living homes, WDE EasyKit can also be used to help protect those trying to exit.



### Benefits

- Best-in-class components provide for fast, easy installation
- All hardware items provided with one easy-to-order, easy-to-specify part number
- Immediate on-point switching and corrosion resistant components provide years of trouble-free service
- Controls foot traffic, deters unauthorized exits, reduces employee and customer theft while providing a life safety, code compliant application

### Features

- Configured Weatherized Delayed Egress EasyKit includes all hardware, instructions, user illustration and point-to-point wiring diagram
- Factory-programmed, pre-wired, delayed egress controller/power supply
- NEMA 4X enclosure protects controller/power supply from moisture and corrosive elements
- 10 ft. flex conduit included
- Advantex Weatherized panic device includes stainless steel dead lock, Pull-in-type latch bolt and weatherized switching
- 120V AC, momentary key switch with green and red LEDs, arms, arms and resets system
- Outdoor protective key switch cover
- Outdoor horn has various field-adjustable tone and decibel settings. Strobe also available.
- Outdoor, code-compliant delayed egress signage
- All hardware is non-handed
- Fire Alarm override connected at controller/power supply
- Remote bypass and signaling options available
- Heavy-duty angled end cap deflects damage away from panic device
- Available in various configurations, for single and paired openings

### Mechanical Options

- F - 3-Hour Fire Rated
- H - Hurricane Rated
- CD - Cylinder Dogging
- HD - Hex Dogging
- LD - Less Dogging (Std.)
- 36 - Fits 36" Door Width (Std.)
- 48 - Fits 48" Door Width
- 99 - Surface Strike (Std.)
- 98 - Semi Mortise Strike

### Electrical Options

- 1 to 3 second code-compliant field-adjustable nuisance alarm
- 120V AC (Std.)
- Also available 277V and 240V logic controller/power supply

## Accessories

- SN1 – Sex Nut Fasteners
- SSK - Torx Security Screw Kit
- Z bracket spacers for Magnetic Lock(s)
- GB - Glass Bead Kits

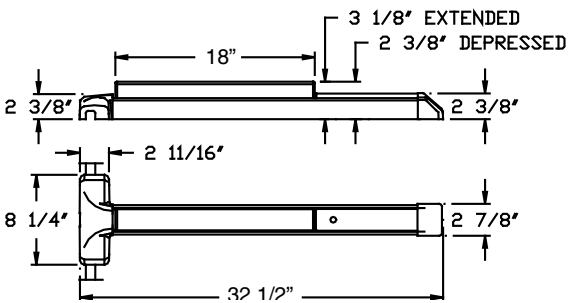
## Technical Information

- Door Types - Hollow Metal, Fiberglass or Aluminum
- Stile - Advantex fits minimum 4-5/8" with 99 strike
- Gate plate must accommodate panic device, see dimensions
- Gate Types - Gate plate must be at least 32" wide
- 1/4" maximum for vertical gap between gate and strike post

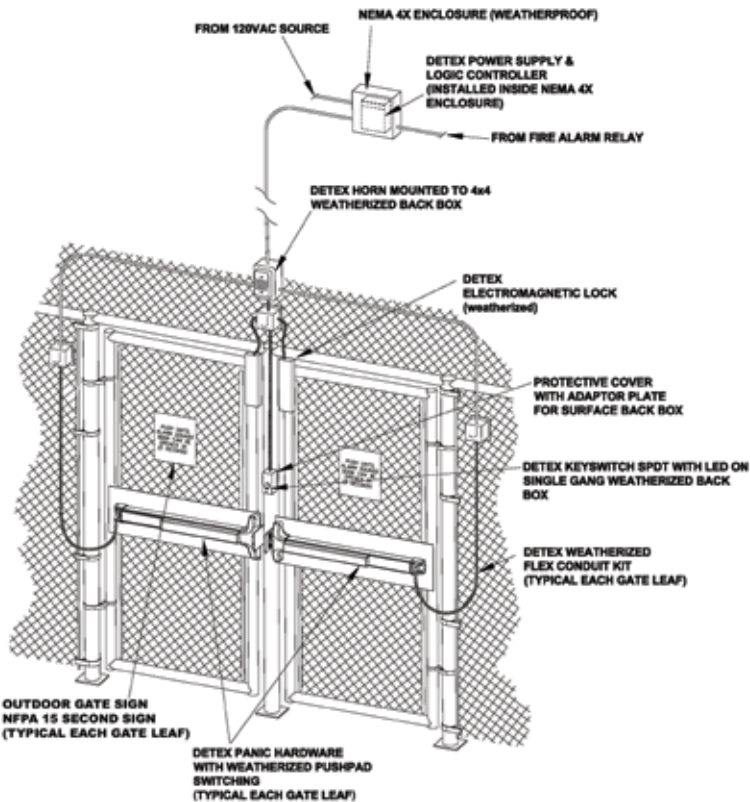
## Finishes

605 / US3	Polished Brass	612 / US10	Brushed Bronze	629 / US32	Polished Stainless Steel
606 / US4	Brushed Brass	613 / US10B	Oil Rubbed Bronze		Steel
611 / US9	Polished Bronze			630 / US32D	Brushed Stainless Steel

## Dimensions



## Riser Diagram



## Listings and Approvals Advantex



UL Listed  
Panic Hardware  
  
UL Listed Fire Exit Hardware  
for 3 hours, maximum  
4'x10' single doors and pairs of  
4'x8' with F90KR key removable Mullion



Meets ADA requirements  
  
MIL-STD 810F, Method 506.4  
(Driving Rain Test)  
MIL-STD 810F, Method 509.4  
(Salt fog Test)



UBC 97, Standard 7-2 and  
UL10C for positive pressure



ANSI/BHMA certified



Meets NFPA 80 & 101  
for Life Safety



Miami-Dade County, Florida  
NOA 10-0303.02 EXP 04/07/15  
State of Florida Approval FL9052  
} 10/40 Series  
Only



California State Fire Marshall -  
4140-0127-105 & 3725-0127-108

## Detex Limited Warranty

Advantex - 10 Year Mechanical / 3  
Year Electrical Manufacturers Limited  
Warranty

**DETEx**<sup>®</sup>  
*A Century of Security*  
**1923-2023**

Detex Corporation  
302 Detex Drive  
New Braunfels, Texas 78130-3045 USA  
PH. (830) 629-2900  
(800) 729-3839  
FAX (800) 653-3839  
<http://www.detex.com>  
USA Sales:  
[marketing@detex.com](mailto:marketing@detex.com)  
International Sales:  
[export@detex.com](mailto:export@detex.com)

Cancer & Reproductive Harm - [www.detex.com/prop65](http://www.detex.com/prop65)