

VALUE SERIES®

Electric Request to Exit Switching (EX) High Current / Voltage Switching (EXV)

The Request to Exit (EX) option, designed for applications where electric signaling is required, provides the customer with a means of signaling when the push pad is depressed. The EX monitors the pushpad and when depressed, will open or close (SPDT) to signal an alarm, send a remote signal to monitor egress, or commence the cycle in a separate delayed egress system.



V40 EX Shown

Available with V40 Rim
and V50/V51 Surface
Vertical Rod Exit
Devices

Wide Stile shown, for Narrow Stile, specify NS Option
(for use on 36" and 48" doors with 2" stiles).

Benefits

- Priced to be the best value for panic exit hardware
- Provides reliable loss prevention protection 24-hours a day
- Rugged, durable design reduces maintenance
- Angled end cap deflects damage away from device
- Integrates with other loss prevention equipment
- Large, steel reinforced pushpad with black ABS cover resists damage
- Patented mounting plate and strike locator replaces paper templates
- Withstands over 1400 pounds of static pull force for greater security
- Fits almost any door in any décor
- Patented back plate and plastic strike locator designed for perfect alignment with door and frame without paper template
- Fast and easy installation saves time and money

Features

- Stainless steel deadlocking latch bolt
- Tamper resistant housing protects internal switching, preventing manipulation
- To shunt power to an electromagnetic lock, specify EXV
- Tamper resistant switching electronically monitors pushpad
- Standard SPDT (Form C) switch with three wires, Yellow (N/O), Brown (Common) & Green (N/C), creating either a Normally Open or Closed contact
- Switch capable of signalling at low currents for integration to a central control station
- FC3 - Flexible 3' Conduit Kit, mounts to device end cap

Mechanical Options

- CD - Cylinder Dogging
- HD - Hex Dogging (Std.)
- LD - Less Dogging
- F - 3-Hour Fire Rated
- H - Hurricane Rated
- 36 - Fits 36" Door Width (Std.)
- 48 - Fits 48" Door Width
- 99 - Surface Strike (Std.)
- 98 - Semi Mortise Strike
- Available with 628 Base Rail Extrusion (Std.)
- Available with 711 (Black) Base Rail Extrusion
- RWE - Red pushpad with white lettering
- LF - Less Flex Conduit
- FC10 - Flexible 10' Conduit Kit, mounts to device end cap
- PT5 - Concealed mortise mount power transfer
- EH8 - Five-knuckle energy transfer hinge - 8 wires

For full list of available mechanical options, see V40 Series How To Order page

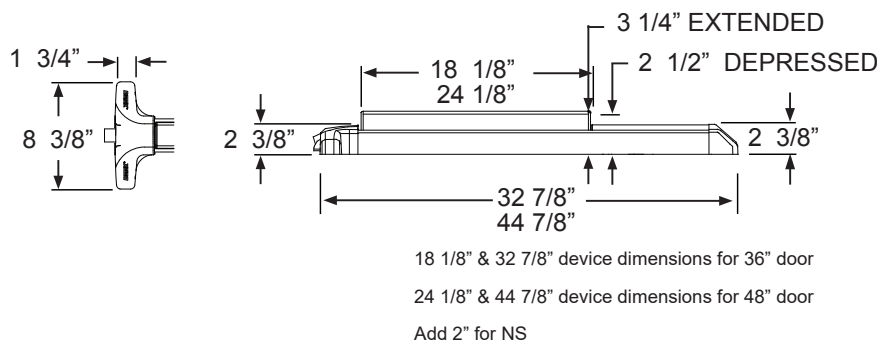
Accessories

- SN1 - Sex Nut Fasteners
- SSK3 - Security Screw Kit
- NSK - Narrow Stile Conversion Kit - Converts V40 to fit narrow stile glass door applications
- Outside Trim (see Value Series Trim Options)

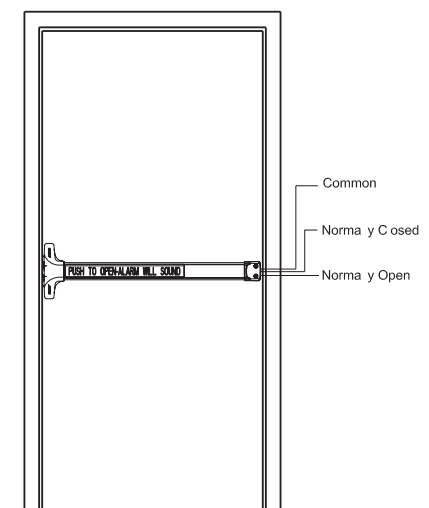
Technical Information

- Door Types - Wood, Hollow Metal, Fiberglass or Aluminum
- Door Thickness - Fits standard 1-3/4" - 2-1/4"
- Single Door Stile - Fits 3-1/2" minimum stile doors with 99 surface strike (Std.)
- Pairs of Doors Stile - Fits 4" minimum stile doors with 99 surface strike
- Door Stile - Fits 2" narrow stile doors - specify NS
- Machine and Self Drilling Screws (Std.)
- Optional Sex Nuts or Security Torx Screws available

Dimensions



Riser Diagram



Listings and Approvals

See individual device (i.e. V40 Series) catalog page for fire and panic listings and windstorm ratings/approvals

Detex Limited Warranty

10 Year Mechanical/3 Year Electrical Limited Manufacturer's Warranty

Where Trust is Built™

DETEX®

Life Safety, Security and Security Assurance

Detex Corporation
 302 Detex Drive
 New Braunfels, Texas 78130-3045 USA
 PH. (830) 629-2900
 (800) 729-3839
 FAX (800) 653-3839
<http://www.detex.com>
 USA Sales:
marketing@detex.com
 International Sales:
export@detex.com

⚠ Cancer & Reproductive Harm - www.detex.com/prop65