

VALUE SERIES®

V40xW

Weatherized Rim Exit Device

The V40xW Series **rim exit device** is secure and durable **panic and fire exit hardware** at an economical price. It is designed for use on all types of single and double doors and gates with mullions that are or may be exposed to the weather. The patented mounting plate and strike locator system ensures the easiest and most accurate installation of panic hardware available. In addition to listing as UL panic and fire exit hardware device, this device conforms to UL1034-34 Temperature Section 34, UL1034-54 Dust Section 54, MIL-STD 810F, Method 506.4 (driving rain test); MIL-STD 810F, Method 509.4 (salt fog test) and UBC standard 7-2 (positive pressure).



**ANSI 156.3 - 2001
Grade 1
Type 1**

**V40xW
(628 Finish)**



**V40xW
(711 Finish)**



Benefits

- Priced to be the best value for durable and attractive loss prevention panic hardware
- Minimal door prep saves time and money
- Outside trims are easily changed or rekeyed without removing device from door
- Angled end cap deflects damage away from device
- Patented mounting plate and strike locator replaces paper templates
- Fast and easy installation saves time and money
- Fits almost any door in any décor

Features

- Covers a 161 door prep
- 1/8 turn hex key dogging
- Withstands over 1400 pounds of static pull force for greater security
- Stainless steel, 3/4" deadlocking Pullman-type latch bolt
- Ribbed aluminum rail extrusion
- Modular design accepts a variety of outside trims and functions
- Non-handed
- High impact ABS and anodized surfaces
- Standard and narrow stile pull trims available
- Field sizeable

Mechanical Options

- CD - Cylinder Dogging
- F - 3-Hour Fire Rated
- FC3W - Weatherized 3' Flex Conduit Kit, mounts to device end cap
- HD - Hex Dogging (Std.)
- H - Hurricane Rated
- FC10W - Weatherized 10' Flex Conduit Kit, mounts to device end cap
- LD - Less Dogging
- NS - Narrow stile door option
- 36 - Fits 36" Door Width (Std.)
- Available with 628 Base Rail Extrusion (Std.)
- 48 - Fits 48" Door Width
- Available with 711 Base Rail Extrusion
- 99 - Surface Strike (Std.)
- 98 - Semi Mortise Strike

For full list of available mechanical options, see V40 Series How To Order page

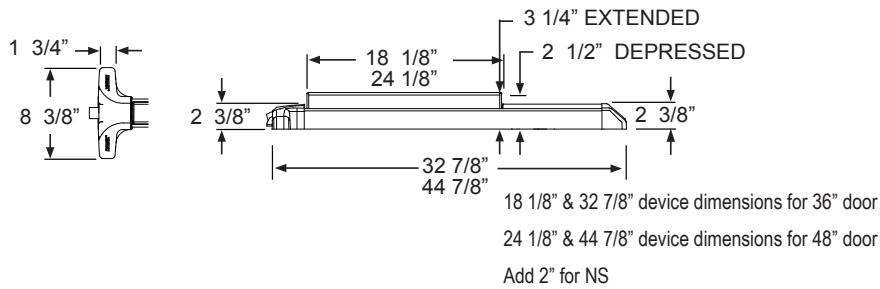
Electrical Options

- Weatherized Exit Alarm (EB W)
- Weatherized Request to Exit High Voltage (EXV W)

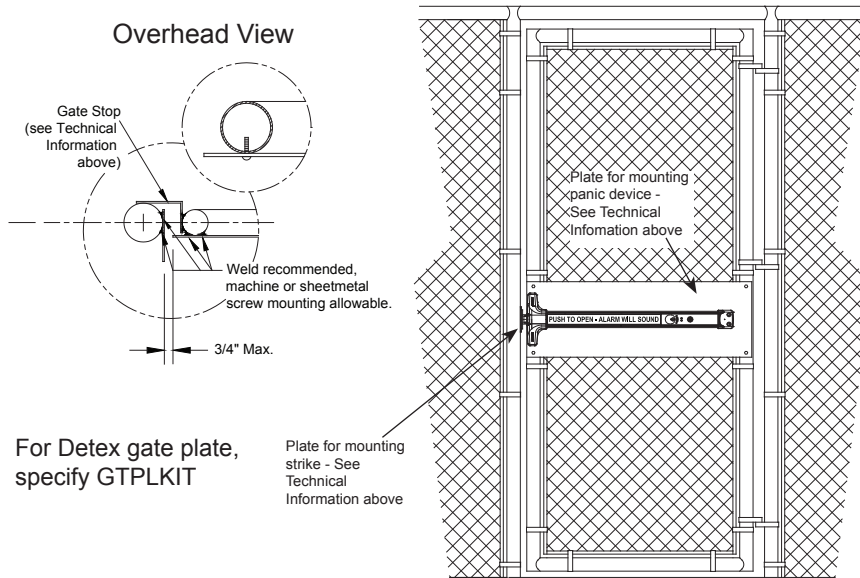
- Weatherized Request to Exit (EX W)

Refer to Electrified Options section for more information

Dimensions



Single Gate Riser



Listings and Approvals



UL Listed Panic Hardware



IBC 97, Standard 7-2 and UL10B/UL10C for positive pressure



UL1034-34 Temperature Section 34 [Temperature Range -31°F (-35°C) to 150°F (+66°C)]



State of Florida Approval

UL1034-54 Dust Section 54

Texas Department of Insurance



Meets ADA requirements

MIL-STD 810F (G), Method 509.4 (Salt Fog Test)



ANSI/BHMA certified A156.3

MIL-STD 810F (G), Method 506.4 (Driving Rain), Procedure 1

For detailed windstorm listings, visit www.detex.com/PROVEN

Cancer & Reproductive Harm - www.detex.com/prop65

September 11, 2018

Accessories

- SN1 - Sex Nut Fasteners
- GB2 - Glass Bead Kit
- NSK- Narrow Kit - for 2" narrow stile glass door applications that must be added in the field
- GTPLKIT - Adjustable Gate Plate
- Outside Trim (see Value Series Trim Options)
- Optional Sex Nuts or Security Torx Screws available

Technical Information

- Door Types - Wood, Hollow Metal, Fiberglass or Aluminum
- Door Thickness - Fits standard 1-3/4" - 2-1/4"
- Door Stile - Fits 2-1/2" stile doors with 99 surface strike (Std.)
- Door Stile - Fits 2" narrow stile doors - specify NS
- Machine and Self-Drilling Screws (Std.)
- Recommended Plate Size
 Gate - 1/8" thick plate, galvanized, or painted steel or 1/4" thick aluminum plate, minimum Height - 10"

Strike - 1/8" thick plated, galvanized, painted steel plate, angle iron, or 1/4" thick aluminum plate, minimum Height - 5"

Stop - 1/8" thick plated, galvanized, or painted angle iron or 1/4" thick aluminum angle plate, minimum Height - 2"

Detex Limited Warranty

10 Year Mechanical/3 Year Electrical Limited Manufacturer's Warranty

Where Trust is Built™
DETEX®
Life Safety, Security and Security Assurance

Detex Corporation
 302 Detex Drive
 New Braunfels, Texas 78130-3045 USA
 PH. (830) 629-2900
 (800) 729-3839
 FAX (800) 653-3839
<http://www.detex.com>
 USA Sales:
marketing@detex.com
 International Sales:
export@detex.com