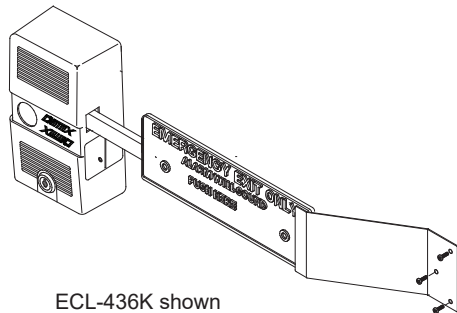


# EXIT CONTROL LOCKS

## ACCESSORIES for ECL-230D SERIES and ECL-600

Detex makes a number of accessories available that allow the Exit Control Locks to be used in a wide range of applications. Below is a listing and description of these items.



ECL-436K shown

### Item Number

### Description and Use

ECL-436K

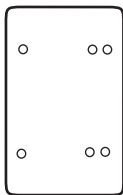
#### Panic Bar Plate Guard Kit

Protects against clothing being caught on exit bar plate. Used with ECL-230D.

ECL-2100K

#### Panic Bar Plate Guard Kit

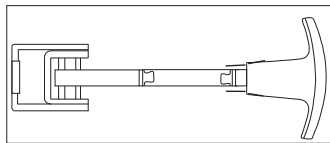
Protects against clothing being caught on exit bar plate. Used with ECL-230D-PH and ECL-600 (required)



ECL-475K

#### Decorative Back Plate Kit

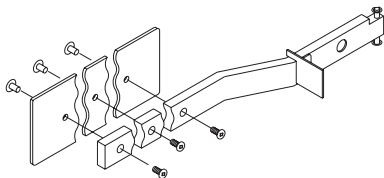
5 19/32" W x 10 3/16" H x .045" thick. To improve the appearance of the back of an Exit Control Lock visible through glass on a narrow stile glass door.



ECL-498K

#### Outside Pull and Warning Sign

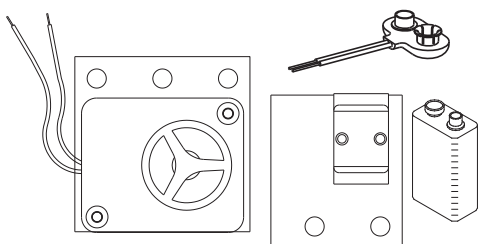
Mounted on opposite face of door where conditions or regulations require that an emergency exit be openable from both sides. Alarm sounds when door is opened.



ECL-2105K

#### Paddle Bar Kit (Retrofit)

Bar extension kit for 3.0' to 4.0' doors



ECL-2111K

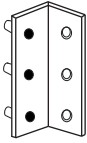
#### Siren/Battery Conversion Kit

For ECL-230C & D. Converts ECL-230 6 volt lantern battery to 9 volt battery & siren

# EXIT CONTROL LOCKS CONT'D

## *ACCESSORIES for ECL-230D SERIES and ECL-600*

Single Door Mechanical Strikes for Inswinging and Outswinging Installations



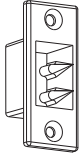
**Item Number**

**Description and Use**

**ECL-435K**

**Adjustable strike bracket, surface**

For use on left hand, right hand inswinging doors or double doors with one door stationary using flush bolts or DDH-2250



**ECL-439K**

**Mortise strike**

For use on outswinging doors



**ECL-437K**

**Adjustable strike, surface**

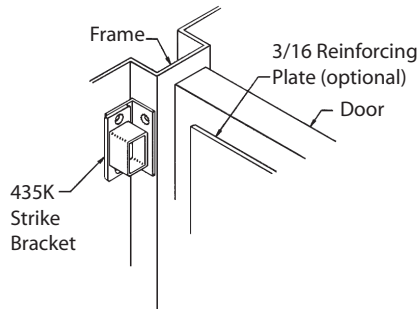
For use on outswinging doors

INSWINGING DOORS - LH, RH  
ECL-435K adjustable strike bracket, surface

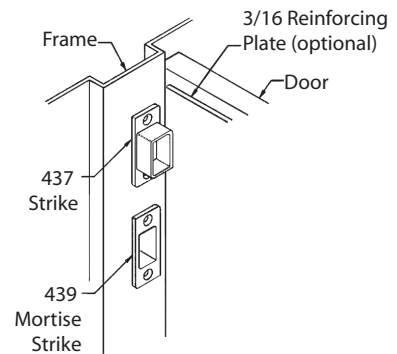
OUTSWINGING DOORS  
ECL-439K mortise strike  
ECL-437K adjustable strike, surface

\* Price of lock includes a kit containing 439 and 437 strikes with required mounting screws. All other strikes must be ordered separately by number. There is an extra charge for strikes that are not included as part of the lock.

FOR INSWINGING INSTALLATIONS  
and  
DOUBLE DOOR APPLICATIONS  
without a MULLION



FOR OUTSWINGING  
INSTALLATIONS



All bracket-mounted strikes include unique adjustable feature for proper installation alignment. All strikes supplied with wood and sheet metal mounting screws.

# EXIT CONTROL LOCKS CONT'D

## ACCESSORIES for ECL-230D SERIES and ECL-600

---



ECL-8220

### Optional Captions for Exit Bar Plates

Standard exit bar plate includes words "EMERGENCY EXIT ONLY".

### Item Number

### Description

ECL-8220  
ECL-8220-1

**English Exit Bar Plate**  
Red (Standard)  
Green

ECL-8220-8

**Spanish Exit Bar Plate**  
Red

ECL-8220-6  
ECL-8220-9

Chinese/English Exit Bar Plate (Red)  
Chinese Exit Bar Plate (Red)

ECL-8220-7

French Canadian Exit Bar Plate  
(Red)

ECL-2109

English Exit Bar Plate for Long Bar -  
ECL-230D-PH (Red)



ECL-405  
(DT0XX is stamped on the key)  
XX = Key # 11-20

Cover Lock Key



Detex Corporation  
302 Detex Drive  
New Braunfels, Texas 78130-3045 USA  
PH. (830) 629-2900  
(800) 729-3839  
FAX (800) 653-3839  
<http://www.detex.com>  
USA Sales:  
[marketing@detex.com](mailto:marketing@detex.com)  
International Sales:  
[export@detex.com](mailto:export@detex.com)

 Cancer & Reproductive Harm - [www.detex.com/prop65](http://www.detex.com/prop65)