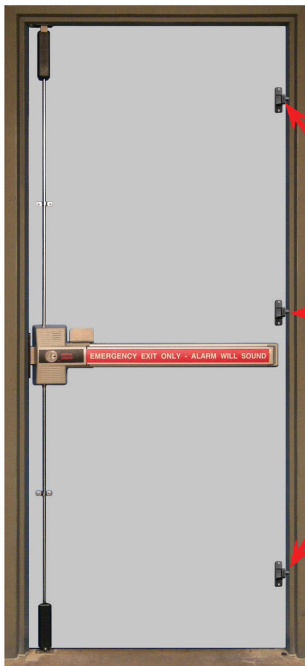


# DX BOLTS

## DX1- Single Hinge Bolt / DX2 - Double Hinge Bolts / DX3 Triple Hinge Bolts Hinge Side Locking Dead Bolt for Supplementary Protection

Providing hinge-side protection, the DX Bolt is an additional line of defense against break-ins. Even if the exterior door hinges are compromised the DX Bolts keep your door locked and secure. These passive deadbolts are easy-to-install and offer another layer of attack resistance. DX Bolts can be added to most applications, providing code compliant, economical, multipoint locking security. DX Bolts are available for use with all Detex panic hardware.



Shown here with:  
ECL-230X-TDB-DX3  
6 point lock

### Benefits

- Provides additional line of defense against break-ins
- Attack-resistant design keeps door locked and secure to deter against burglaries
- Adds additional locking points, improving holding strength to slow down crowbar attacks
- Even if the hinges are cut off, the door remains locked and secure
- Easy-to-install design provides secure and accurate bolt engagement every time
- Through-bolt mounting installation improves holding strength

### Features

- Can be added to almost any out-swing door application
- You choose the right level of protection with kits of 1 bolt, 2 bolts or 3 bolts
- Non-handed
- Add DX bolts to any Detex multi-point lock to create 4 point, 5 point and 6 point locking panic hardware
- Kits include through-bolt mounting hardware
- One piece stainless construction provides superior holding strength
- Excellent for exterior applications or doors that get wet

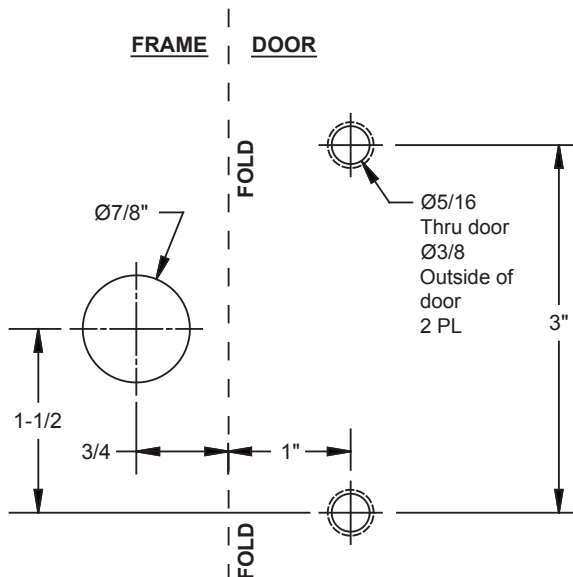
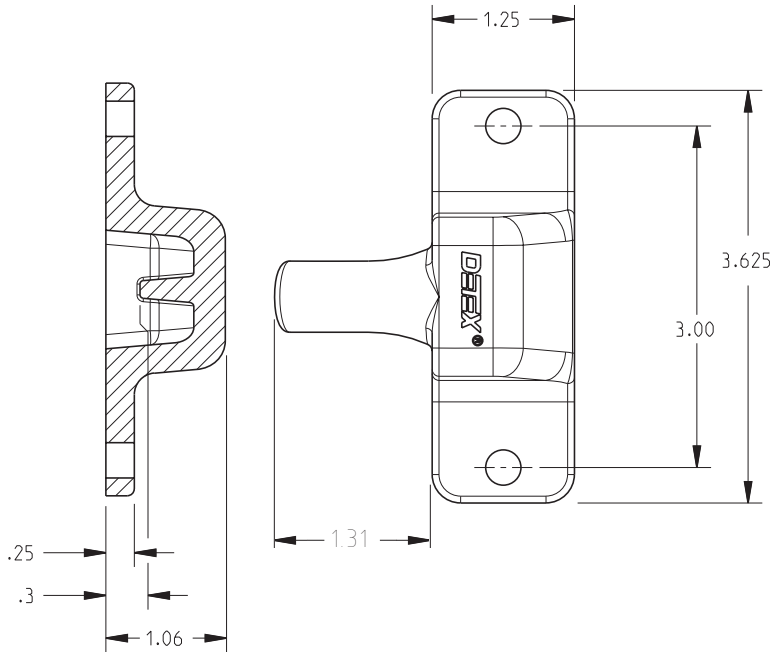
## Technical Information

- Door Types - Hollow Metal, Fiberglass or Aluminum
- Door Thickness - Fits standard 1-3/4" - 2-1/4" (for other door thicknesses contact factory)
- Machine Screws with Sex Nut fasteners (Std.)

## Finishes

- Available in Steel Gray (GRY) - standard Steel
- Available in Painted Black (BLK)

## Dimensions



## Listings and Approvals



Meets NFPA 80 & 101  
for Life Safety



ANSI/BHMA Certified

## Detex Limited Warranty

10 Year Limited Manufacturers  
Warranty

*Where Trust is Built™*  
**DETEX®**  
*Life Safety, Security and Security Assurance*

Detex Corporation  
302 Detex Drive  
New Braunfels, Texas 78130-3045 USA  
PH. (830) 629-2900  
(800) 729-3839  
FAX (800) 653-3839  
<http://www.detex.com>  
USA Sales:  
[marketing@detex.com](mailto:marketing@detex.com)  
International Sales:  
[export@detex.com](mailto:export@detex.com)

Cancer & Reproductive Harm - [www.detex.com/prop65](http://www.detex.com/prop65)