

Stand-Alone Proximity Reader/Keypad

DTX-2300 Series

Single Door Stand Alone Proximity Reader/Keypad

The DTX-2300 is a stand alone single door access control with a proximity reader and keypad. The DTX-2300, when used on it's own, provides cost effective standard access control functionality with the use of it's two relays and two inputs for request to exit and door position. The proximity reader is capable of being mounted up to a maximum of 10 feet away from the DTX-2300 (see image below).



Reader/Keypad



Remove proximity reader from keypad to mount reader and wire up to 10 feet away from DTX-2300 keypad.

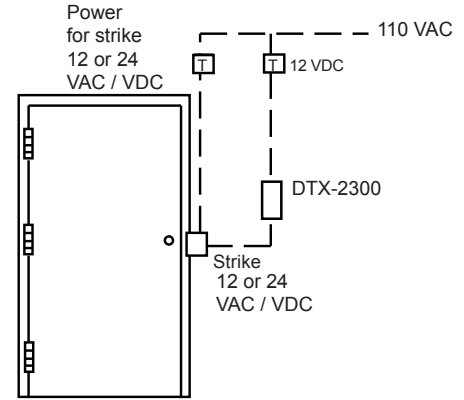
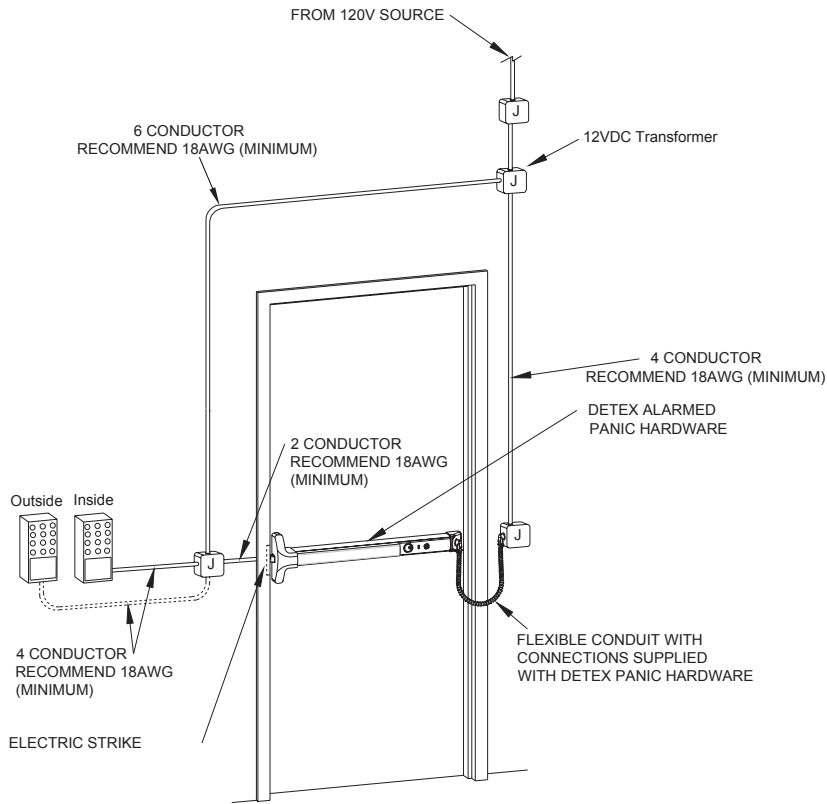
Features

- Proximity reader and keypad
- Bi-color LED to indicate operation
- Weather resistant design
- 2000 Users
- HID 26 - 40 bit format card compatibility
- Weigand compatible
- HID Corporate 1000 compatible
- Remote proximity reader mounting and glass mount option
- No audit trail available in stand alone unit
- 3 year warranty
- UL 294 Listed

Technical Information

- Dimensions: 2.75" W x 5.25" H x 1.38" D
- Operating voltage: 12 VDC only
- Temperature tolerance: -31F to 150F
- Main relay: Form C 2 amp SPDT controls lock
- Auxiliary Relay: Form C 1 amp SPD
- Request to Exit Input
- Indoor / outdoor use

Riser Diagram



Listings and Approvals



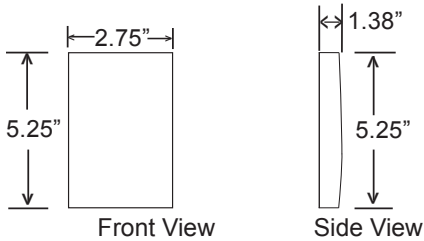
UL 294 Listed

Detex Limited Warranty

3 Year Limited Manufacturer's Warranty

Dimensions

DTX-2300 Stand Alone



Cancer & Reproductive Harm - www.detex.com/prop65

Where Trust is Built™
DETEx®
Life Safety and Security Door Hardware

Detex Corporation
 302 Detex Drive
 New Braunfels, Texas 78130-3045 USA
 PH. (830) 629-2900
 (800) 729-3839
 FAX (800) 653-3839
<http://www.detex.com>
 USA Sales:
marketing@detex.com
 International Sales:
export@detex.com