



WIDE STILE LEVER TRIM DESIGNS

Assorted outside trims provide security for all types of installations. Built to be as durable as the panic devices, these heavy-duty trims will stand up to heavy use and abuse. The versatile design of the trims, combined with the device mounting plate, makes changing functions as simple as replacing the outside trim. This can easily be done without removing the exit device from the door. Wide stile trims can be used on 10 Series Rim and 20 and 21 Series Surface Vertical Rods. Add M to most trims for use with 30 Series Mortise devices. Add V to most trims for use with 70, 71, 80, 81, 82 and 83 Series Concealed Vertical Rod devices. Detex uses the BHMA functions/descriptions for all trims.

All Wide Stile Lever Trims come standard with a break-away type lever to prevent permanent damage from vandalism and abuse. Once the lever is forced past the locking point, the lever will drop down and appear broken. The internal disengaging clutch allows the lever to be reset by pulling it back to its original position. Anti-Microbial Coating (AM) is available on all levers - contact factory for lead time and details.

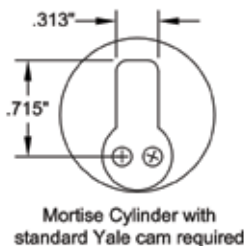
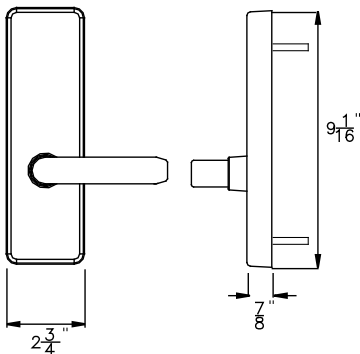
Standard Lever Trims (S lever standard)



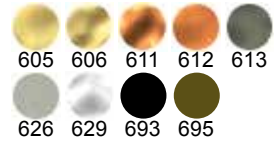
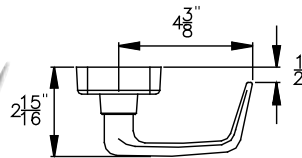
08D / 08DM / 08DV,
09D / 09DM / 09DV,
EU / EUV (Electric Lock/
Unlock)



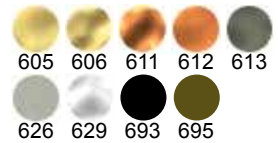
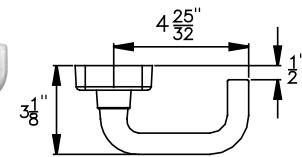
02D / 02DM / 02DV,
14D / 14DM / 14DV



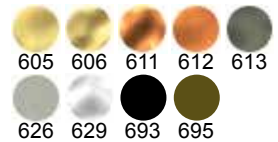
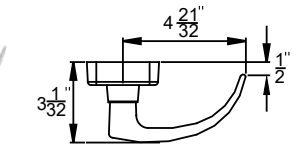
S Lever



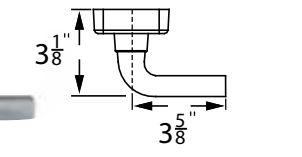
T Lever



U Lever



Q Lever



- | | |
|-------------|--------------------------|
| 605 / US3 | Polished Brass |
| 606 / US4 | Brushed Brass |
| 611 / US9 | Polished Bronze |
| 612 / US10 | Brushed Bronze |
| 613 / US10B | Oil Rubbed Bronze |
| 626 / US26D | Brushed Chrome |
| 629 / US32 | Polished Stainless Steel |
| 693 / SPBLK | Black Painted |
| 695 / SP313 | Dark Bronze Painted |



FSB Contemporary/European Designed Levers (630/US32D Brushed Stainless Steel Finish)



1075



1035



630

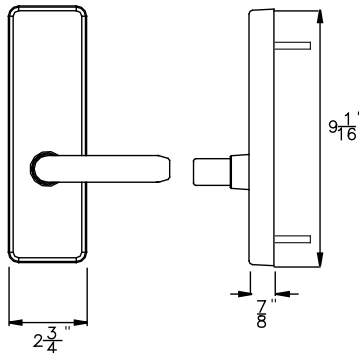


1076



1147

FSB Lever Trims available in 630/US32D Brushed Stainless Steel



1016



1119



1093



1058

LS Lever Switch

- Monitors the lever and sends a signal to access control when lever is rotated
- Available on 08D, 09D, 14D and EU levers only
- Not retrofittable or field reversible - must specify handing

BHMA Function/Description For All Lever Trims

- 02 - Entrance by trim when actuating bar is dogged (dummy trim)
- 08 - Entrance by lever. Key locks or unlocks lever.
- 09 - Entrance by lever only when released by key. Key removable only when locked.
- 10 - Entrance by lever. Inside or outside key locks or unlocks lever.
- 14 - Entrance by trim when latch bolt is released by knob or lever. Always active, no cylinder.
- EU - Electric Lock/Unlock - Fail Secure (FSE) or Fail Safe (FSA) - Specify handing (Not field reversible)

Technical Information

- D Trims are Forged Brass
- FSB Levers are Forged Steel
- KN - Knurling available on all standard levers
- Door Thickness - Fits standard 1-3/4" - 2-1/4" doors (for other door thicknesses contact factory)
- A short cylinder collar is supplied for mortise cylinders 1" to 1-1/8" long. For cylinders greater than 1-1/8", order tall cylinder collar part #100752-X
- Wide stile trim configured for use with BP1 mounting plate - Call factory for retrofit applications
- When ordered with device, trim will match mounting plate specified



Detex Corporation
 302 Detex Drive
 New Braunfels, Texas 78130-3045 USA
 PH. (830) 629-2900
 (800) 729-3839
 FAX (800) 653-3839
 http://www.detex.com
 USA Sales:
 marketing@detex.com
 International Sales:
 export@detex.com

