



## Electric Request to Exit Switching (EX) High Current / Voltage Switching (EXV)

The Request to Exit (EX) signaling option is used on exit doors with panic or fire exit hardware. This option indicates when the pushpad is depressed sending a signal to an alarm or sends a remote signal to monitor egress conditions.

The Request to Exit High Current switching option can be used to control power to a device that requires higher current up to 2.0 amperes; such as an electro-magnetic lock, electric strike or motor.



Available with 10/40 Series Rim, 30 Series Mortise, 20/21/50/51 Series Surface Vertical Rod and 60/61/62/63/70/71/80/81/82/83 Series Concealed Vertical Rod Devices

### Benefits

- Tough and durable design for years of trouble-free service in high-use, high-abuse environments
- Fast and easy installation saves time and money
- Withstands over 1400 pounds of static pull force for greater security
- Integrates with other loss prevention equipment
- Outside trims are easily changed or re-keyed without removing device from door

### Features

- Switch capable of signalling at low currents for integration to a central control station
- Tamper resistant switching electronically monitors pushpad
- Use EXV to switch power on and off to an electromagnetic lock
- Request to Exit High Current Switch (EXV) provides 3 wires for either normally open or normally closed switching / controlling power when push pad is pressed
- Standard SPDT (Form C) switch with three wires, Yellow (N/O), Brown (Common) & Gray (N/C), creating either a Normally Open or Closed contact
- Request to Exit Signal Switch (EX) provides 3 wires for either normally open or normally closed signaling when push pad is pressed
- A variety of hinge side wire transfers can be provided with the exit device, including electric hinge, flex conduit or power transfer

### Mechanical Options

- SLR - Silencer
  - CD - Cylinder Dogging
  - HD - Hex Dogging (Std.)
  - LD - Less Dogging
  - 99 - Surface Strike (Std.)
  - LF - Less Flex Conduit (Std.)
  - FC3EC1 - Flexible 3' Conduit Kit, includes EC1 ramped end cap (specify finish)
  - FC3EC2 - Flexible 3' Conduit Kit, includes EC2 flush end cap (specify finish)
  - FC10EC1 - Flexible 10' Conduit Kit, includes EC1 ramped end cap (specify finish)
  - FC10EC2 - Flexible 10' Conduit Kit, includes EC2 flush end cap (specify finish)
  - PT5 - Concealed mortise mount power transfer
  - EH8 - Five-knuckle energy transfer hinge - 8 wires
- For full list of available mechanical options, see individual device how to order page

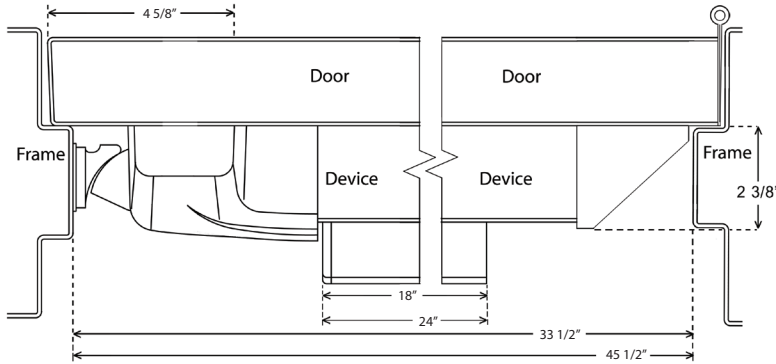
**Accessories**

- GB1 - Glass Bead Kit
- SSK - Security Torx Screw Kit
- Trim Functions (see Outside Trims)
- SN1 - Sex Nut Kit (2 per package)

**Technical Information**

- Door Types - Wood, Hollow Metal, Fiberglass or Aluminum
- Minimum Stile - 4-5/8" with standard 99 strike; 4-1/8" with optional 98 strike
- Door Thickness - Fits standard 1-3/4" - 2-1/4" doors (for other door thicknesses contact factory)
- Fasteners - Machine and Self-Drilling Screws standard
- Optional Sex Nuts or Security Torx Screws available

**Single Door**



**Finishes**

- 605 / US3 Polished Brass
- 606 / US4 Brushed Brass
- 611 / US9 Polished Bronze
- 612 / US10 Brushed Bronze
- 613 / US10B Oil Rubbed Bronze
- 628 / US28 Aluminum Satin
- 629 / US32 Polished Stainless Steel
- 630 / US32D Brushed Stainless Steel
- 693 / SPBLK Black, Painted
- 695 / SP 313 Dark Bronze, Painted

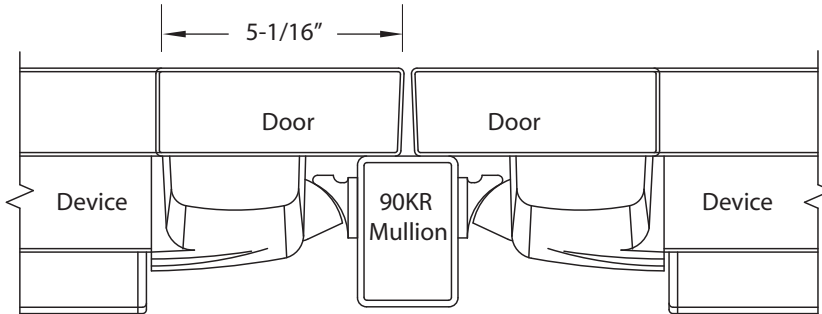
**Listings and Approvals**

See individual device (i.e. 10 Series) catalog page for fire and panic listings and windstorm ratings/ approvals

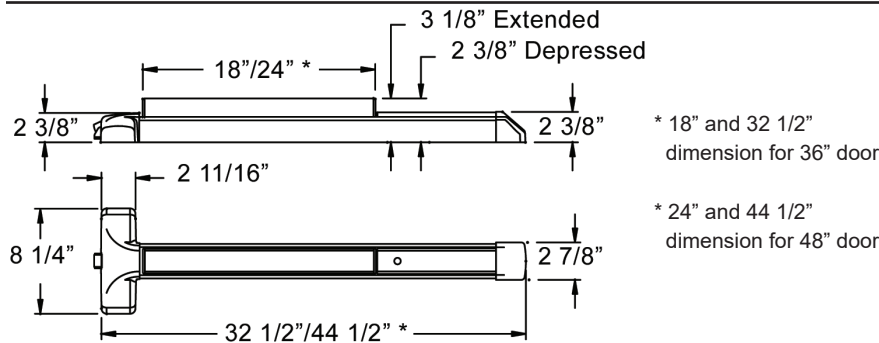
**Detex Limited Warranty**

10 Year Mechanical/3 year Electrical Limited Manufacturer's Warranty

**Double Door with 90KR Mullion**



**Dimensions**



\* 18" and 32 1/2" dimension for 36" door

\* 24" and 44 1/2" dimension for 48" door



Detex Corporation  
 302 Detex Drive  
 New Braunfels, Texas 78130-3045 USA  
 PH. (830) 629-2900  
 (800) 729-3839  
 FAX (800) 653-3839  
 http://www.detex.com  
 USA Sales:  
 marketing@detex.com  
 International Sales:  
 export@detex.com

Cancer & Reproductive Harm - www.detex.com/prop65