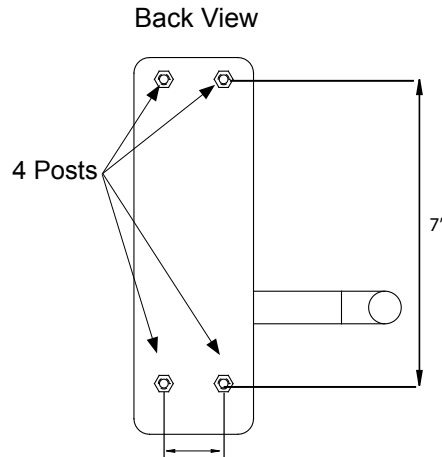




EU, EUV or EUxDM

ELECTRIC UNLOCK TRIM

Provides remote means of locking or unlocking a door for authorized entry, access control, security or safety needs when used in conjunction with any Detex wide stile rim (10 Series), surface vertical rod (20 Series), mortise (30 Series - specify EUxDM) or concealed vertical rod (70/71, 80/81, 82/83 Series - specify EUV) exit device. Perfect for use on fire-rated doors, such as stairwell doors, allowing emergency entry after fire alarm activates fail safe trim. Excellent source of security for stairwell doors, elevator lobbies, or other access control systems used in installations in schools, universities, hospitals, retail, industrial, etc.



For use with 10 Series Rim, 20/21 Series Surface Vertical Rod, 30 Series Mortise, and 70/71/80/81/82/83 Series Concealed Vertical Rod Exit Devices

Benefits

- Retrofits over existing Detex lever trim
- Clutching trim limits vandalism
- Key override for emergency entrance during loss of power (FSE)

Features

- Cylinder override
- Spring loaded tailpiece
- Vandal resistant break-away type lever

Mechanical Options

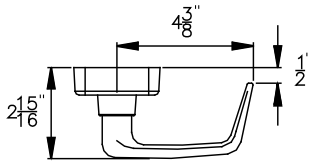
- Not Field Reversible
- EU - Comes standard as D Trim, with S style Lever and Fail Secure (FSE), for use with Detex wide stile (10 Series) Rim or (20 Series) Surface Vertical Rod Device
- EU x DT or DU - Comes with T style or U style lever, for use with Detex wide stile (10 Series) Rim or (20 Series) Surface Vertical Rod Device
- EUV - Comes standard as D Trim, with S style Lever and Fail Secure (FSE), for use with Detex wide stile (70/71, 80/81, 82/83 Series) Concealed Vertical Rod Device
- EUV x DT or DU - Comes with T style or U style lever, for use with Detex wide stile (70/71, 80/81, 82/83 Series) Concealed Vertical Rod Device
- EU x DM - Comes with S style lever, for use with Detex (30 Series) Mortise Exit Device
- EU x DMT or DMU - Comes with T style or U style lever, for use with Detex (30 Series) Mortise Exit Device
- KN - Knurling available on all levers

Electrical Options

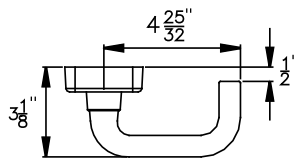
- Fail Secure (FSE) - During power failure, device will be locked (Security option) ex: EU x FSE x DU
- Fail Safe (FSA) - During power failure or fire alarm activation, the trim will always be unlocked. (Life Safety option) ex: EU x FSA x DM
- Not Field Selectable
- Not Field Selectable

Lever Options

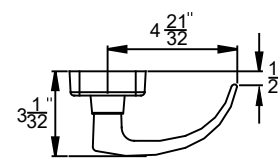
S Lever



T Lever



U Lever



Accessories

- MC65 - Mortise Cylinder
- IC7 - 7-pin Mortise Cylinder Housing (Core not included)
- 80-800 - 24 VDC power supply with battery charging circuit
- 90-800 - 24 VDC power supply without battery charging circuit
- CCL - Long cylinder collar (11/16")
- SE-2 - Shaft extension for 2 to 2 1/2" thick doors

Finishes

| | | | | | |
|------------|-----------------|-------------|---------------------|-------------|--------------------------|
| 605 / US3 | Polished Brass | 613 / US10B | Oil Rubbed Bronze | 629 / US32 | Polished Stainless Steel |
| 606 / US4 | Brushed Brass | 693 / SPBLK | Painted Black | 630 / US32D | Brushed Stainless Steel |
| 611 / US9 | Polished Bronze | 695 / SP313 | Painted Dark Bronze | | |
| 612 / US10 | Brushed Bronze | | | | |

LS Lever Switch

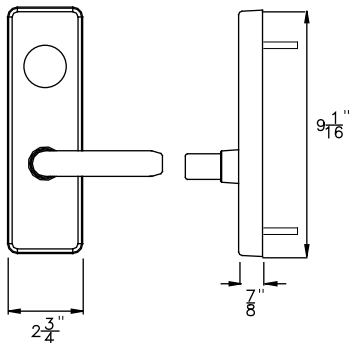
- Monitors the lever and sends a signal to access control when lever is rotated
- Not retrofittable or field reversible - must specify handing

Dimensions

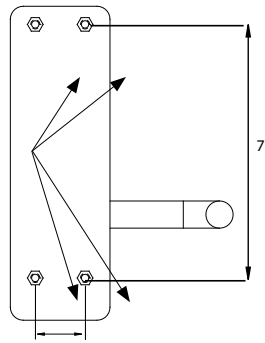
Front View

Side View

Back View



4 Posts

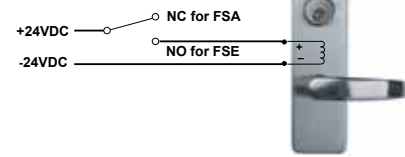


* See Detex website for EU How To Order

Technical Information

- 24VDC / 150ma continuous duty
- 12VDC / 310ma continuous duty

Wiring Diagram



Listings and Approvals

UL1034-34 Temperature Section 34
[Temperature Range -31°F (-35° C) to 150° F (+66° C)]

UL1034-54 Dust Section 54

MIL-STD 810F (G), Method 509.4
(Salt Fog Test)

MIL-STD 810F (G), Method 506.4
(Driving Rain), Procedure 1

Detex Limited Warranty

10 Year Mechanical/3 Year Electrical
Limited Manufacturer's Warranty

Where Trust is Built™
DETEX®
Life Safety and Security Door Hardware

Detex Corporation
302 Detex Drive
New Braunfels, Texas 78130-3045 USA
PH. (830) 629-2900
(800) 729-3839
FAX (800) 653-3839
<http://www.detex.com>
USA Sales:
marketing@detex.com
International Sales:
export@detex.com

Cancer & Reproductive Harm - www.detex.com/prop65