



Electric Switching (ES)

The Electric Switching (ES) option includes two switches; one to monitor the latch bolt position and the other to monitor mechanical access from the exterior. It is designed for doors that require a means of indicating when the latch bolt is retracted while providing a remote signal when using key entry. Always used in conjunction with other security systems, the Advantex ES function provides either normally closed or normally open (field selectable) contacts that can provide a signal to a variety of different components such as remote alarm or a central station.



Available with
10/40 Rim
Devices and 30
Series Mortise
Devices

Benefits

- Tough and durable design for years of trouble-free service in high-use, high-abuse environments
- 6 pin removable terminal strip on end cap bracket, provides easy access for connecting external signaling wires
- Fast and easy installation saves time and money
- Wires within the exit device are factory installed with easy connection point provided near end cap
- Latch bolt / push pad switch and trim input switch allows for easy integration with logic controllers, power supplies and security systems

Features

- Signal switching monitors latch bolt, pushpad and authorized access
- Trim input switch provides either a Normally Open or Normally Closed signal output
- Normally Open or Normally Closed (field selectable)
- A variety of hinge side wire transfers can be provided with the exit device, including electric hinge, flex conduit or power transfer
- Latch bolt switch runs in series with push pad switch, providing either a Normally Open or Normally Closed signal output
- 6 pin terminal strip at end cap bracket

Mechanical Options

- HD - Hex Dogging (Std.)
 - CD - Cylinder Dogging
 - LD - Less Dogging
 - SLR - Silencer
 - PT5 - Concealed mortise mount power transfer
 - EH8 - Five-knuckle energy transfer hinge - 8 wires
 - LF - Less Flex Conduit (Std.)
 - FC3EC1 - Flexible 3' Conduit Kit, includes EC1 ramped end cap (specify finish)
 - FC3EC2 - Flexible 3' Conduit Kit, includes EC2 flush end cap (specify finish)
 - FC10EC1 - Flexible 10' Conduit Kit, includes EC1 ramped end cap (specify finish)
 - FC10EC2 - Flexible 10' Conduit Kit, includes EC2 flush end cap (specify finish)
 - MC65 - Pre-Installed mortise cylinder
 - IC7 - Pre-installed interchangeable core housing
- For full list of available mechanical options, see individual device how to order page

Electrical Options

- EX - Request to Exit (specify ES EX)
- LX - Latch Bolt Signaling (Specify ES LX)
- EU - Electric Unlock Lever Trim (Specify 10EU ES - Wide Stile Only)

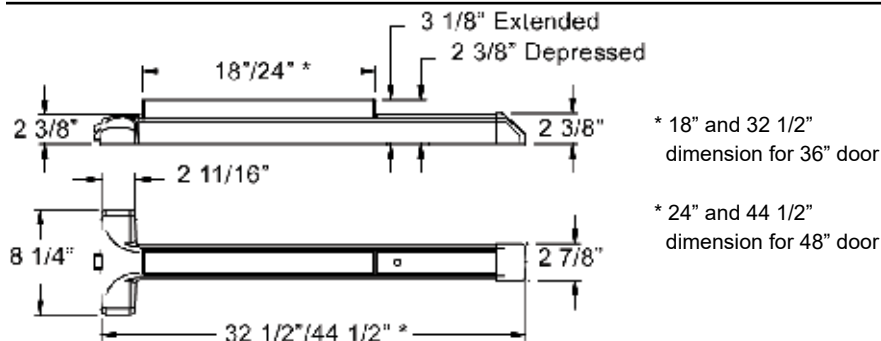
Accessories

- SSK - Security Torx Screw Kit
- Trim Functions (see Outside Trims)

Technical Information

- Door Types - Wood, Hollow Metal, Fiberglass or Aluminum
- Door Thickness - Fits standard 1-3/4" - 2-1/4" doors (for other door thicknesses contact factory)
- Minimum Stile - 4-5/8" with standard 99 strike; 4-1/8" with optional 98 strike
- Fasteners - Machine and Self-Drilling Screws standard
- Machine and Self Drilling Screws (Std.)
- Field selectable NO/NC contacts

Dimensions



Listings and Approvals

See individual device (i.e. 10 Series) catalog page for fire and panic listings and windstorm ratings/ approvals

Detex Limited Warranty

10 Year Mechanical/3 year Electrical Limited Manufacturer's Warranty

Finishes

605 / US3	Polished Brass	629 / US32	Polished Stainless Steel
606 / US4	Brushed Brass		
611 / US9	Polished Bronze	630 / US32D	Brushed Stainless Steel
612 / US10	Brushed Bronze		
613 / US10B	Oil Rubbed Bronze	693 / SPBLK	Black, Painted
628 / US28	Aluminum Satin	695 / SP 313	Dark Bronze, Painted

 Cancer & Reproductive Harm - www.detex.com/prop65

Where Trust is Built™
DETEX®
Life Safety and Security Door Hardware

Detex Corporation
 302 Detex Drive
 New Braunfels, Texas 78130-3045 USA
 PH. (830) 629-2900
 (800) 729-3839
 FAX (800) 653-3839
<http://www.detex.com>
 USA Sales:
marketing@detex.com
 International Sales:
export@detex.com