



Electric Integration (EI)

The EI device, designed for applications where electric integration is required, provides the customer with a means of integration to new or existing systems, including the Detex Series 800 Logic Controller. The customer may select from these components to integrate and create different functions from the single product package. This variety of components offers an alarm to sound, monitor the latch bolt position and/or pushpad when depressed, signals a remote panel by key switch operation when activated from inside or outside authorization, and offers 2 LED's to enhance required functions. The operation of switches will open or close (SPDT) to integrate with digital video recorders, remote alarms, strobe lights, or commence the cycle in a separate delayed egress system.



Available with 10/40 Rim and 30 Mortise Devices

Benefits

- Fast and easy installation saves time and money
- Durable electronics provide years of trouble free service, saving on replacement costs
- Multiple switching choices for ease of use
- Controls foot traffic, deters unauthorized exits, prevents loss and meets building code requirements
- Integrates with logic controllers, power supplies and most security equipment, to provide reliable, integrated loss prevention protection

Features

- State-of-the-art electronics for reliable instantaneous switch activation
- Tamper resistant switching monitors dead latch and outside trim input
- 100dB Piezo Alarm
- Mortise cylinder key switch output (Form C)
- Cylinder dogging (Std.) except with fire rated devices
- Pushpad/Latch bolt position switch outputs
- Authorized access switch output
- (3) Standard SPDT (Form C) switches
- Simple "plug-in" header type terminal strip located near end-cap for easy installation
- Dual LED visual arming indicators (one red, one green)
- All switching capable of handling 12 or 24 Volts AC or DC
- Code-compliant door sign (English)

Mechanical Options

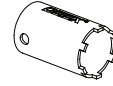
- LD - Less Dogging
 - KS - Key Stop - key removed only when armed
 - FC3EC1 - Flexible 3' Conduit Kit, includes EC1 ramped end cap (specify finish)
 - FC3EC2 - Flexible 3' Conduit Kit, includes EC2 flush end cap (specify finish)
 - FC10EC1 - Flexible 10' Conduit Kit, includes EC1 ramped end cap (specify finish)
 - FC10EC2 - Flexible 10' Conduit Kit, includes EC2 flush end cap (specify finish)
 - PT5 - Concealed mortise mount power transfer
 - EH8 - Five-knuckle energy transfer hinge - 8 wires
 - AL18 - Surface Armored Loop (door/frame mount)
- For full list of available mechanical options, see individual device how to order page

Electrical Options

- 10-800 or 11-800 Logic Controller and Power Supply for Electric Integration (required but not included)

Accessories

- MC65 - Pre-installed Mortise Cylinder
- IC7 - Pre-installed Interchangeable Core Cylinder
- SSK - Security Torx Screws
- SN1 - Sex Nut Kit
- Optional Cylinder Nut Wrench P/N: 103779



- Foreign Language Signs available

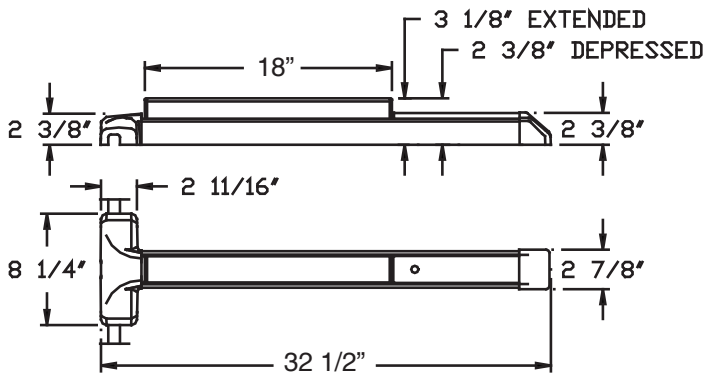
Technical Information

- Detachable plug-in terminal strip
- Switch jumpers for NO/NC contacts
- Machine and self-drilling screws (Std.)
- Through-wire hinge or power transfer compatible

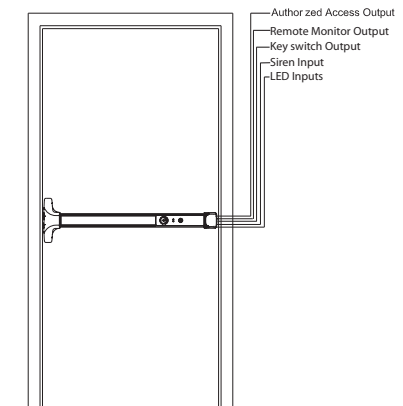
Device Finishes

605 / US3	Polished Brass	628 / US28	Aluminum Satin	693 / SPBLK	Black, Painted
606 / US4	Brushed Brass	629 / US32	Polished Stainless Steel	695 / SP 313	Dark Bronze, Painted
611 / US9	Polished Bronze				
612 / US10	Brushed Bronze	630 / US32D	Brushed Stainless Steel		
613 / US10B	Oil Rubbed Bronze				

Dimensions



Riser Diagram



Listings and Approvals

See individual device (i.e. 10 Series) catalog page for fire and panic listings and windstorm ratings/ approvals

Detex Limited Warranty

10 Year Mechanical/3 Year Electrical Limited Manufacturer's Warranty



Cancer & Reproductive Harm - www.detex.com/prop65

Where Trust is Built™
DETEx®
Life Safety and Security Door Hardware

Detex Corporation
 302 Detex Drive
 New Braunfels, Texas 78130-3045 USA
 PH. (830) 629-2900
 (800) 729-3839
 FAX (800) 653-3839
<http://www.detex.com>
 USA Sales:
marketing@detex.com
 International Sales:
export@detex.com