



1010D SERIES

Rim Exit Device (Double Cylinder)

The 1010 Series rim exit device is super-heavy-duty panic and fire exit hardware for use on all types of single and double doors with mullions. The patented mounting plate and strike locator system ensures the easiest and most accurate installation of panic hardware available.



Benefits

- Tough and durable design for years of trouble-free service in high-use, high-abuse environments
- Patented mounting plate and strike locator system replaces paper templates
- Easy retrofit to other manufacturers
- Minimal door prep saves time and money
- Outside trims are easily changed or re-keyed without removing device from door
- Fast and easy installation saves time and money
- Gives ability to lock outside lever trim from the inside, protecting people and property inside from outside threats
- Heavy duty angled end cap deflects damage away from device

Features

- Stainless steel deadlocking, Pullman-type latch bolt
- Tested beyond 1,000,000 cycles - Twice the cycling required for Grade 1 UL testing
- All exposed surfaces are finished over stainless steel with PVD, an environmentally-friendly finishing process
- Handed
- Field sizeable
- 1/8 turn hex or cylinder dogging

Mechanical Options

- F - 3-Hour Fire Rated
 - H - Hurricane Rated
 - AM - Anti-Microbial Coating
 - SLR - Silencer
 - CD - Cylinder Dogging
 - HD - Hex Dogging (Std.)
 - LD - Less Dogging
 - 99 - Surface Strike (Std.)
 - 98 - Semi Mortise Strike
 - EC1 - Heavy duty angled end cap (Std.)
 - EC2 - Flush end cap
 - 24 - Fits 24" Door Width
 - 30 - Fits 30" Door Width
 - 36 - Fits 36" Door Width (Std.)
 - 48 - Fits 48" Door Width
- For full list of available mechanical options, see 10 Series How To Order page

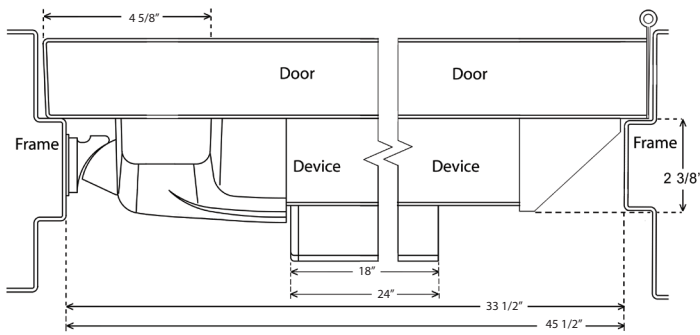
Electrical Options

- Exit Alarm (EA)
- Electric Dogging (ED)
- Electric Integration (EI)
- Electric Latch Retraction (ER)
- Electric Switching (ES)
- Request to Exit (EX)
- Request to Exit for High Voltage (EXV)

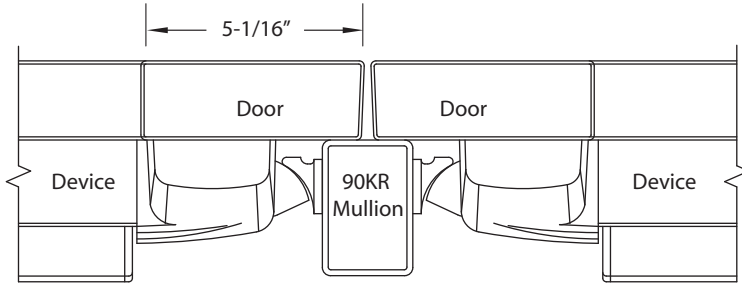
Refer to Electrified Options section for more information



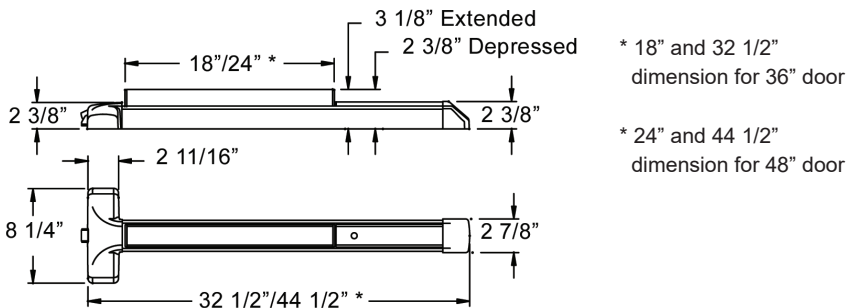
Single Door



Double Door with 90KR Mullion



Dimensions



Listings and Approvals



UL Listed Panic Hardware



UBC 97, Standard 7-2 and UL10B/UL10C for positive pressure



UL Listed Fire Exit Hardware for 3 hours, maximum 4'x10' single doors and pairs of 4'x8' with F90KR keyed removable mullion



Meets NFPA 80 & 101 for Life Safety



Meets ADA requirements



State of Florida Approval



ANSI/BHMA certified A156.3



California State Fire Marshall

For detailed windstorm and fire listings, visit www.detex.com/PROVEN

Cancer & Reproductive Harm - www.detex.com/prop65

September 12, 2018

Accessories

- GB1 - Glass Bead Kit
- SN1 - Sex Nut Kit (2 per package)
- SSK - Security Torx Screw Kit
- Trim Functions (see Outside Trims)

Technical Information

- Door Types - Wood, Hollow Metal, Fiberglass or Aluminum
- Door Thickness - Fits standard 1-3/4" - 2-1/4" doors (for other door thicknesses contact factory)
- Minimum Stile - 4-5/8" with standard 99 strike; 4-1/8" with optional 98 strike
- Fasteners - Machine and Self-Drilling Screws standard

Finishes

- | | |
|--------------|--------------------------|
| 605 / US3 | Polished Brass |
| 606 / US4 | Brushed Brass |
| 611 / US9 | Polished Bronze |
| 612 / US10 | Brushed Bronze |
| 613 / US10B | Oil Rubbed Bronze |
| 628 / US28 | Aluminum Satin |
| 629 / US32 | Polished Stainless Steel |
| 630 / US32D | Brushed Stainless Steel |
| 693 / SPBLK | Black, Painted |
| 695 / SP 313 | Dark Bronze, Painted |

Detex Limited Warranty

10 Year Mechanical/3 year Electrical Limited Manufacturer's Warranty

Where Trust is Built™
DETEX®
Life Safety and Security Door Hardware

Detex Corporation
 302 Detex Drive
 New Braunfels, Texas 78130-3045 USA
 PH. (830) 629-2900
 (800) 729-3839
 FAX (800) 653-3839
<http://www.detex.com>
 USA Sales:
marketing@detex.com
 International Sales:
export@detex.com