



62 SERIES 63 SERIES (Top Rod Only)

Concealed Vertical Rod Device - Narrow Stile Hollow Metal Door

The 62 and 63 Series concealed vertical rod exit device is super-heavy-duty panic and fire exit hardware for use on all types of narrow stile hollow metal doors without a mullion. The patented mounting plate system ensures the easiest and most accurate installation of panic hardware available.

Note: For Top Rod Only -
Specify 63 Series

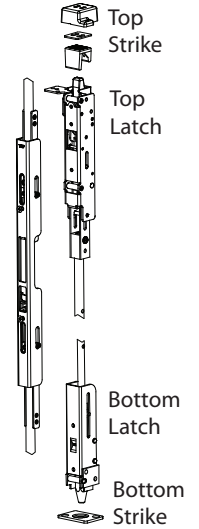
Also Available:

- 60/61 CVR Narrow Stile Alum. Door
- 70/71 CVR Wide Stile Wood Door
- 80/81 CVR Wide Stile H.M. Door
- 82/83 CVR Wide Stile Alum. Door



62 Series Shown -
(Top and Bottom Bolt)

ANSI 156.3 - 2008
Grade 1
Type 6



Benefits

- Tough and durable design for years of trouble-free service in high-use, high-abuse environments
- Minimal door prep saves time and money
- Heavy duty angled end cap deflects damage away from device
- Fast and easy installation saves time and money
- Except for 03R, outside trims are easily changed or rekeyed without removing device from door

Features

- 6-position multi-step action in top latch keeps top and bottom bolts retracted until door closes and provides more consistent re-latching and security to door
- Top strike fully adjustable both vertically and to accommodate a variety of varying weather strip thicknesses
- Top strike both secures the door and re-engages the latchbolts
- Patented deadlocking of top (62 and 63 Series) and bottom bolt (62 Series) assemblies
- Durable steel bottom drop bolt (62 Series)
- Rods are easily adjustable with rods installed in door
- Handed - field reversible
- Field sizeable
- 1/8 turn dogging

Mechanical Options

- F - 3-Hour Fire Rated without astragal up to 10 foot (steel) door
 - AM - Anti-Microbial Coating
 - HD - Hex Dogging (Std.)
 - CD - Cylinder Dogging
 - SLR - Silencer
 - 24 - Fits 24" Door Width
 - 30 - Fits 30" Door Width
 - 36 - Fits 36" Door Width (Std.)
 - 48 - Fits 48" Door Width
 - EC1 - Heavy duty angled end cap (standard on 630, 606, 612, 613, 605, 611 & 629 finishes only)
 - EC2 - Flush end cap (standard on 628, 693 & 695 finishes only), specify when used on 2" - 3-1/2" stiles
- For full list of available mechanical options, see 60 Series How To Order page

Electrical Options

- Exit Alarm (EA)
 - Electric Dogging (ED)
 - Electric Latch Retraction (ER)
 - Delayed Egress Self-Contained (EE)
 - Request to Exit (EX)
 - Request to Exit for High Voltage (EXV)
 - Electric Delayed Egress with Latch Retraction (EE ER)
- Refer to Electrified Options section for more information

Accessories

- SSK - Security Torx Screw Kit



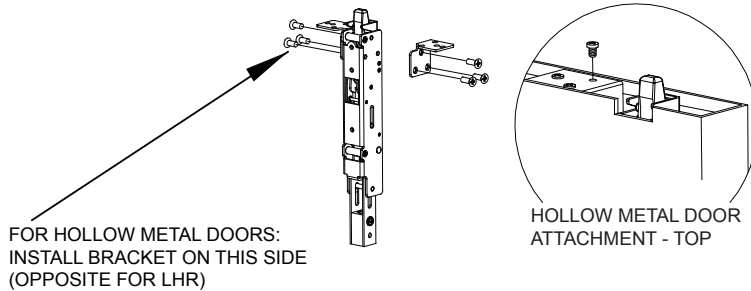
Technical Information

- Door Types - Hollow Metal
- Door Thickness - Fits standard 1-3/4" - 2 1/4" (for other door thicknesses contact factory)
- Fasteners - Machine and sheet metal screws supplied standard
- Door Stile - Fits minimum 4-1/2"
- Rail is heavy ribbed aluminum extrusion

Finishes

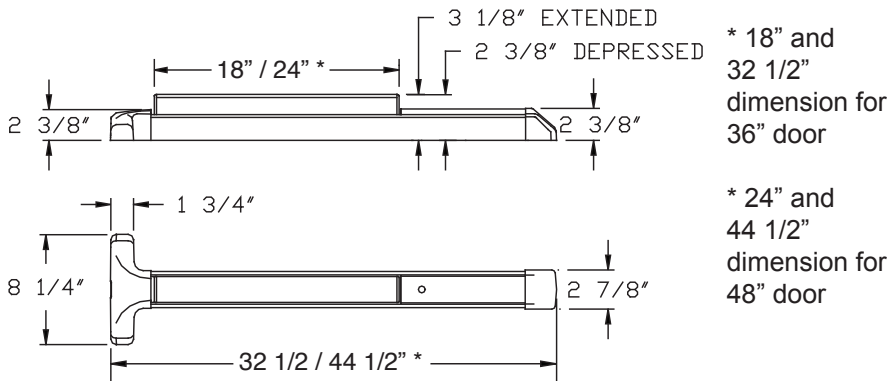
605 / US3	Polished Brass	628 / US28	Satin Aluminum	693 / SPBLK	Black, painted
606 / US4	Brushed Brass	629 / US32	Polished Stainless Steel	695 / SP313	Dark Bronze, painted
611 / US9	Polished Bronze	630 / US32D	Brushed Stainless Steel		
612 / US10	Brushed Bronze				
613 / US10B	Oil Rubbed Bronze				

Top Latch Installation for 62 & 63 Series



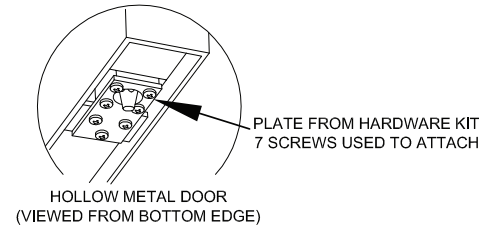
FOR FIRE RATED HOLLOW METAL DOORS:
INSTALL BRACKETS ON BOTH SIDES

Dimensions



Bottom Latch Installation for 63 Series Only

Note: Bottom bracket may slide up on rod during assembly. It may be necessary to pull it towards bottom edge of door with a simple wire hook.



Detex Limited Warranty

10 Year Mechanical/3 year Electrical
Limited Manufacturer's Warranty

Listings and Approvals



UL Listed Panic Hardware



UBC 97, Standard 7-2 and UL 10B/UL10C for positive pressure



UL Listed Fire Exit Hardware for 3 hours, maximum (with steel door) 8'x10' pairs of doors



ANSI/BHMA certified A156.3



Meets ADA requirements



Meets NFPA 80 & 101 for Life Safety

For detailed fire listings, visit www.detex.com/PROVEN

Cancer & Reproductive Harm - www.detex.com/prop65

Where Trust is Built™
DETEX®
Life Safety and Security Door Hardware

Detex Corporation
302 Detex Drive
New Braunfels, Texas 78130-3045 USA
PH. (830) 629-2900
(800) 729-3839
FAX (800) 653-3839
<http://www.detex.com>
USA Sales:
marketing@detex.com
International Sales:
export@detex.com