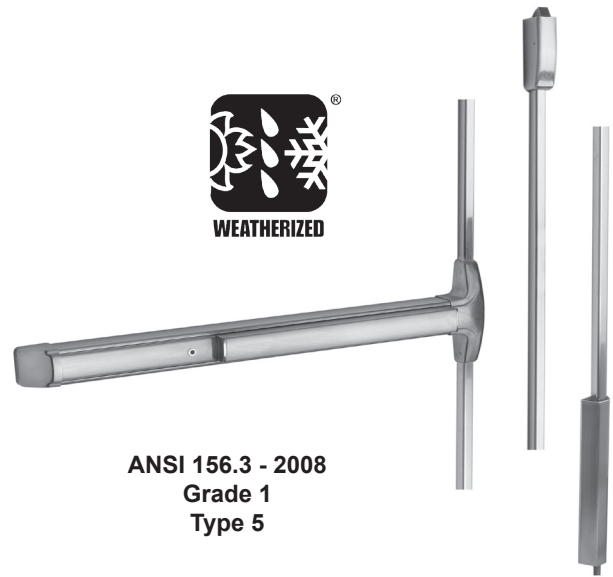


50xW SERIES

Weatherized Narrow Stile Surface Vertical Rod Device

The 50xW Series weatherized **surface vertical rod exit device** is super-heavy-duty **panic and fire exit hardware** for use on all types of narrow stile double doors without a mullion. All 50xW series SVR exit devices are supplied with top and bottom rod covers and an ADA compliant ramped bottom bolt cover. The patented mounting plate and strike locator system ensures the easiest and most accurate installation of panic hardware available. In addition to listing as UL panic and fire exit hardware device, this device conforms to UL1034-34 Temperature Section 34, UL1034-54 Dust Section 54, MIL-STD 810F, Method 506.4 (driving rain test); and MIL-STD 810F, Method 509.4 (salt fog test).



ANSI 156.3 - 2008
Grade 1
Type 5

Benefits

- Tough and durable design for years of trouble-free service in high-use, high-abuse inclement weather environments
- Heavy duty angled end cap deflects damage away from device
- Minimal door prep saves time and money
- Fast and easy installation saves time and money
- Patented mounting plate and strike locator replaces paper templates
- Security enhanced by stainless steel rod covers, standard
- Outside trims are easily changed or rekeyed without removing device from door

Features

- Stainless steel deadlocking top latch
- Hardened steel bottom drop bolt with dust proof strike
- Field sizeable
- ADA ramped bottom bolt cover
- 1/8 turn hex or cylinder dogging
- All exposed surfaces are finished over stainless steel with PVD, an environmentally friendly finishing process
- Assembled using components resistant to temperature, dust, driving rain and salt fog
- Fasteners made of stainless steel 316 material
- Handed - field reversible

Mechanical Options

- F - 3-Hour Fire Rated
 - AM - Anti-Microbial Coating
 - HD - Hex Dogging (Std.)
 - CD - Cylinder Dogging
 - LD - Less Dogging
 - EC1 - Heavy duty angled end cap (Std.)
 - EC2 - Flush end cap
 - 24 - Fits 24" Door Width
 - 30 - Fits 30" Door Width
 - 36 - Fits 36" Door Width (Std.)
 - 48 - Fits 48" Door Width
 - 84 - 84" Door Height (Std.)
 - 96 - 85" to 96" Door Height
 - 120 - 97" to 120" Door Height
- For full list of available mechanical options, see 50 Series How To Order page

Electrical Options

- Electric Unlock (EU2W)
 - Request to Exit Weatherized (EX W)
 - Request to Exit Weatherized for High Voltage (EXV W)
- Refer to Electrified Options section for more information

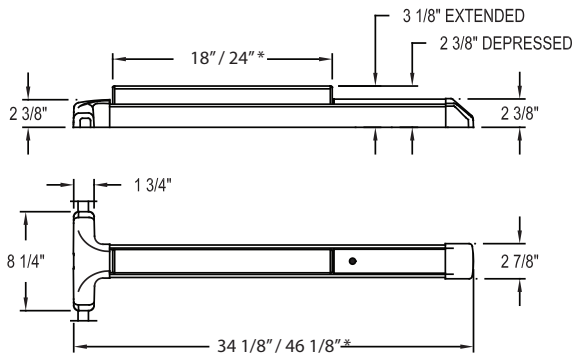
Accessories

- SSK- Security Torx Screw Kit
- GB5 - Glass Bead Kit - 7' Door Height (84")
- GB9 - Glass Bead Kit - 8' Door Height (85" - 96")
- GB13 - Glass Bead Kit - 10' Door Height (97" - 120")
- SN1 - Sex Nut Kit (2 per package)
- Trim Functions (see Outside Trims)

Technical Information

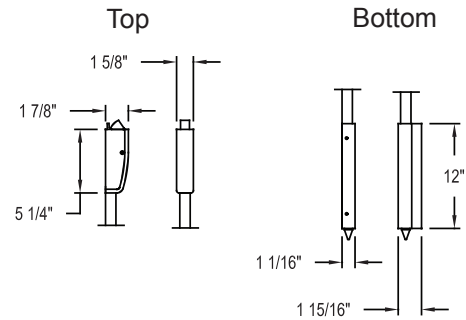
- Minimum Stile - 2" with standard 96 strike
- Door Thickness - Fits standard 1-3/4" - 2-1/4" doors (for other door thicknesses contact factory)
- Fasteners - Machine and Self-Drilling Screws standard stainless steel 316 material
- Door Types - Wood, Hollow Metal, Fiberglass or Aluminum

Dimensions

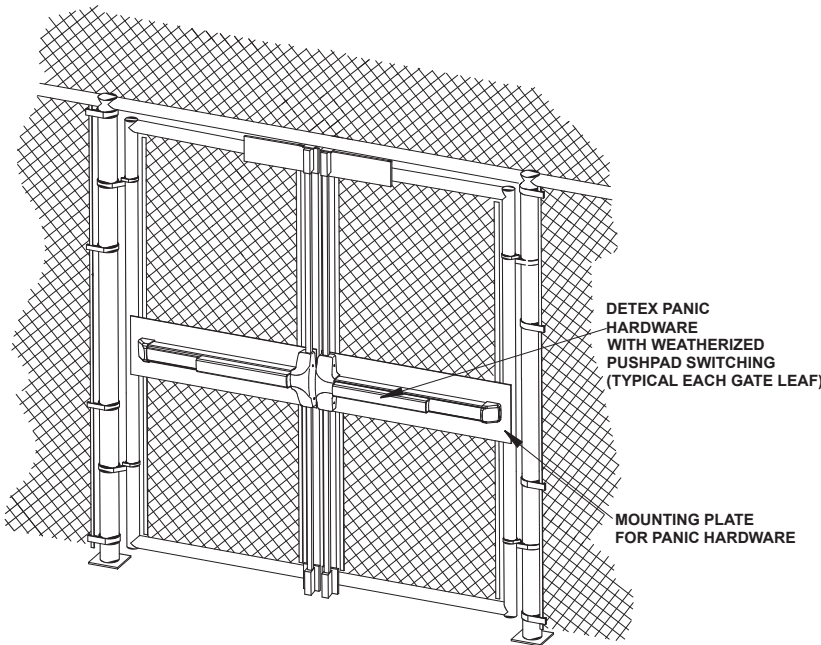


* 18" and 34 1/8" dimension for 36" door

* 24" and 46 1/8" dimension for 48" door



Double Gate Riser



Finishes

- | | |
|--------------|--------------------------|
| 605 / US3 | Polished Brass |
| 606 / US4 | Brushed Brass |
| 611 / US9 | Polished Bronze |
| 612 / US10 | Brushed Bronze |
| 613 / US10B | Oil Rubbed Bronze |
| 628 / US28 | Aluminum Satin |
| 629 / US32 | Polished Stainless Steel |
| 630 / US32D | Brushed Stainless Steel |
| 693 / SPBLK | Black, Painted |
| 695 / SP 313 | Dark Bronze, Painted |

Detex Limited Warranty

10 Year Mechanical/3 year Electrical Limited Manufacturer's Warranty

Listings and Approvals



UL Listed Panic Hardware



Meets ADA requirements



UL1034-34 Temperature Section 34 [Temperature Range -31° F (-35° C) to 150° F (+66° C)]

MIL-STD 810F (G), Method 509.4 (Salt Fog Test)

UL1034-54 Dust Section 54

MIL-STD 810F (G), Method 506.4 (Driving Rain), Procedure 1



ANSI/BHMA certified A156.3

For detailed windstorm listings, visit www.detex.com/PROVEN



Detex Corporation
 302 Detex Drive
 New Braunfels, Texas 78130-3045 USA
 PH. (830) 629-2900
 (800) 729-3839
 FAX (800) 653-3839
<http://www.detex.com>
 USA Sales:
marketing@detex.com
 International Sales:
export@detex.com

⚠ Cancer & Reproductive Harm - www.detex.com/prop65