



40xW SERIES

Weatherized Narrow Stile Rim Exit Device

The 40xW Series **weatherized rim exit device** is super-heavy-duty **panic** and **fire exit hardware** for use on all types of narrow stile single and double doors with mullions that are or may be exposed directly to the weather. The patented mounting plate and strike locator system ensures the easiest and most accurate installation of panic hardware available. In addition to listing as UL panic and fire exit hardware device, this device conforms to UL 1034-34 Temperature Section 34, UL1034-54 Dust Section 54, MIL-STD 810F, Method 506.4 (driving rain test); and MIL-STD 810F, Method 509.4 (salt fog test).



ANSI 156.3 - 2008
Grade 1
Type 4



Benefits

- Tough and durable design for years of trouble-free service in high-use, high-abuse inclement weather environments
- Patented mounting plate and strike locator replaces paper templates
- Outside trims are easily changed or re-keyed without removing device from door
- Fast and easy installation saves time and money
- Heavy duty angled end cap deflects damage away from device
- Minimal door prep saves time and money

Features

- Stainless steel deadlocking, Pullman-type latch bolt
- All exposed surfaces are finished over stainless steel with PVD, an environmentally-friendly finishing process
- Assembled using components resistant to temperature, dust, driving rain and salt fog
- Field sizeable
- Non-handed
- Fasteners made of stainless steel 316 material
- 1/8 turn hex or cylinder dogging

Mechanical Options

- H - Hurricane Rated
- 98 - Semi Mortise Strike (Std.)
- 30 - Fits 30" Door Width
- AM - Anti-Microbial Coating
- 99 - Surface Strike
- 36 - Fits 36" Door Width (Std.)
- CD - Cylinder Dogging
- EC1 - Heavy duty angled end cap (Std.)
- 48 - Fits 48" Door Width
- HD - Hex Dogging (Std.)
- EC2 - Flush end cap
- For full list of available mechanical options, see 40 Series How To Order page
- CD - Cylinder Dogging
- 24 - Fits 24" Door Width
- LD - Less Dogging

Electrical Options

- Electric Unlock (EU2W)
- Request to Exit Weatherized (EX W)
- Request to Exit Weatherized for High Voltage (EXV W)

Refer to Electrified Options section for more information

Accessories

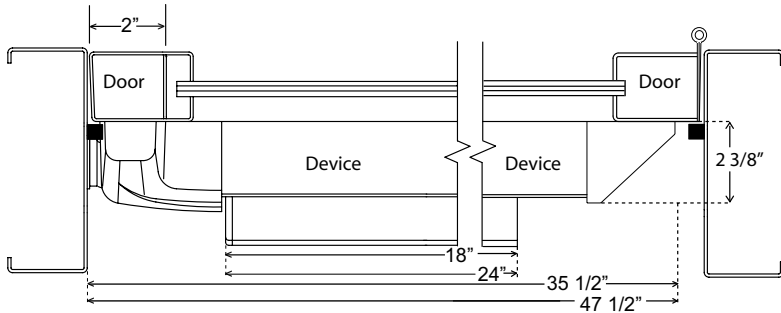
- GB2 - Glass Bead Kit
- Trim Functions (see Outside Trims)
- SN1 - Sex Nut Kit (2 per package)
- GTPLKIT - Adjustable Gate Plate
- SSK - Security Torx Screw Kit



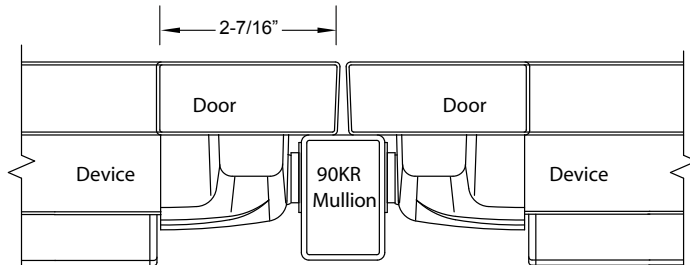
Technical Information

- Door Thickness - Fits standard 1-3/4" - 2-1/4" doors (for other door thicknesses contact factory)
- Minimum Stile - 2" with standard 98 strike; 2-1/2" with optional 99 strike
- Fasteners - Machine and Self-Drilling Screws standard stainless steel 316 material
- Door Types - Wood, Hollow Metal, Fiberglass or Aluminum

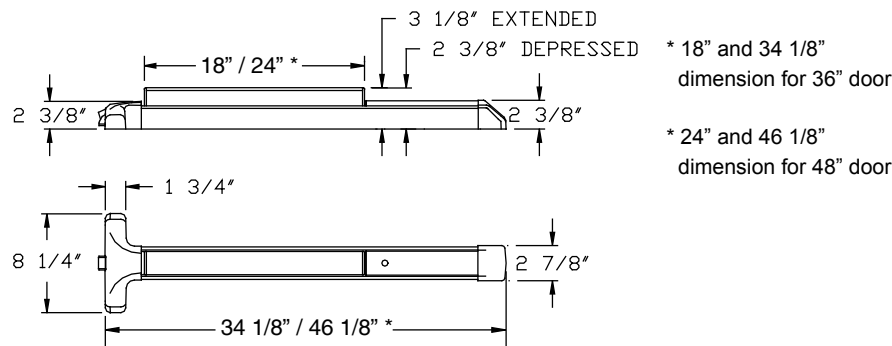
Single Door



Double Door with 90KR Mullion



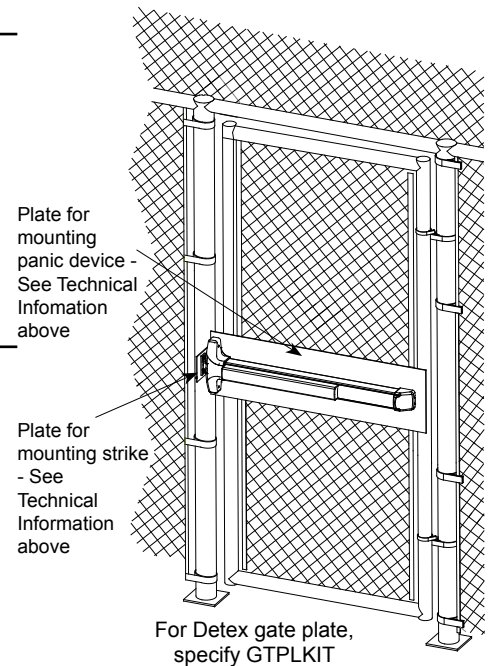
Dimensions



Finishes

605 / US3	Polished Brass
606 / US4	Brushed Brass
611 / US9	Polished Bronze
612 / US10	Brushed Bronze
613 / US10B	Oil Rubbed Bronze
628 / US28	Aluminum Satin
629 / US32	Polished Stainless Steel
630 / US32D	Brushed Stainless Steel
693 / SPBLK	Black, Painted
695 / SP 313	Dark Bronze, Painted

Single Gate



Listings and Approvals



UL Listed Panic Hardware

UL1034-34 Temperature Section 34 [Temperature Range -31°F (-35° C) to 150° F (+66° C)]

UL1034-54 Dust Section 54

MIL-STD 810F (G), Method 509.4 (Salt Fog Test)

MIL-STD 810F (G), Method 506.4 (Driving Rain), Procedure 1



Meets ADA requirements



ANSI/BHMA certified A156.3



State of Florida Approval



Meets NFPA 80 & 101 for Life Safety

Texas Department of Insurance

Detex Limited Warranty

10 Year Mechanical/3 year Electrical Limited Manufacturer's Warranty

DETEx[®]
A Century of Security
1923-2023

Detex Corporation
302 Detex Drive
New Braunfels, Texas 78130-3045 USA
PH. (830) 629-2900
(800) 729-3839
FAX (800) 653-3839
<http://www.detex.com>
USA Sales:
marketing@detex.com
International Sales:
export@detex.com

For detailed windstorm listings, visit www.detex.com/PROVEN

Cancer & Reproductive Harm - www.detex.com/prop65