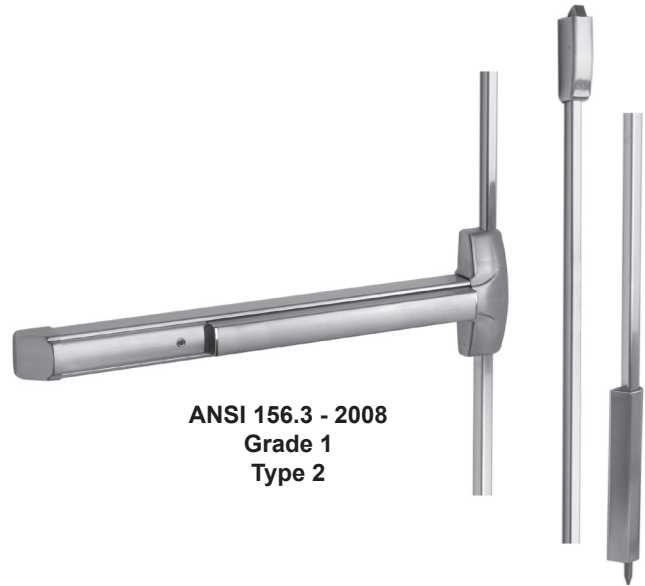




20 SERIES

Surface Vertical Rod Device

The 20 Series **surface vertical rod exit device** is super-heavy-duty **panic** and **fire exit hardware** for use on all types of double doors without a mullion. All 20 series SVR exit devices are supplied with top and bottom rod covers and an ADA compliant ramped bottom bolt cover. The patented mounting plate and strike locator system ensures the easiest and most accurate installation of panic hardware available.



**ANSI 156.3 - 2008
Grade 1
Type 2**

Benefits

- Tough and durable design for years of trouble-free service in high-use, high-abuse environments
- Patented mounting plate and strike locator system replaces paper templates
- Minimal door prep saves time and money
- Outside trims are easily changed or rekeyed without removing device from door
- Security enhanced by stainless steel rod covers, standard
- Heavy duty angled end cap deflects damage away from device
- Fast and easy installation saves time and money

Features

- Stainless steel deadlocking top latch
- Hardened steel bottom drop bolt with dust proof strike
- Field sizeable
- ADA ramped bottom bolt cover
- 1/8 turn hex or cylinder dogging
- Handed - field reversible
- All exposed surfaces are finished over stainless steel with PVD, an environmentally friendly finishing process

Mechanical Options

- F - 3-Hour Fire Rated
 - AM - Anti-Microbial Coating
 - HD - Hex Dogging (Std.)
 - CD - Cylinder Dogging
 - LD - Less Dogging
 - 24 - Fits 24" Door Width
 - 30 - Fits 30" Door Width
 - 36 - Fits 36" Door Width (Std.)
 - 48 - Fits 48" Door Width
 - 84 - 84" Door Height (Std.)
 - 96 - 85" to 96" Door Height
 - 120 - 97" to 120" Door Height
- For full list of available mechanical options, see 20 Series How To Order page

Electrical Options

- Exit Alarm (EA)
- Electric Dogging (ED)
- Electric Latch Retraction (ER)
- Delayed Egress - Self Contained (EE)
- Delayed Egress with Latch Retraction (EE ER)
- Electric Unlock (EU)
- Request to Exit (EX)
- Request to Exit for High Voltage (EXV)

Refer to Electrified Options section for more information

Accessories

- GB3 - Glass Bead Kit - 7' Door Height (84")
- GB7 - Glass Bead Kit - 8' Door Height (85" - 96")
- GB11 - Glass Bead Kit - 10' Door Height (97" - 120")
- SN1 - Sex Nut Kit (2 per package)
- SSK- Security Torx Screw Kit
- Trim Functions (see Outside Trims)

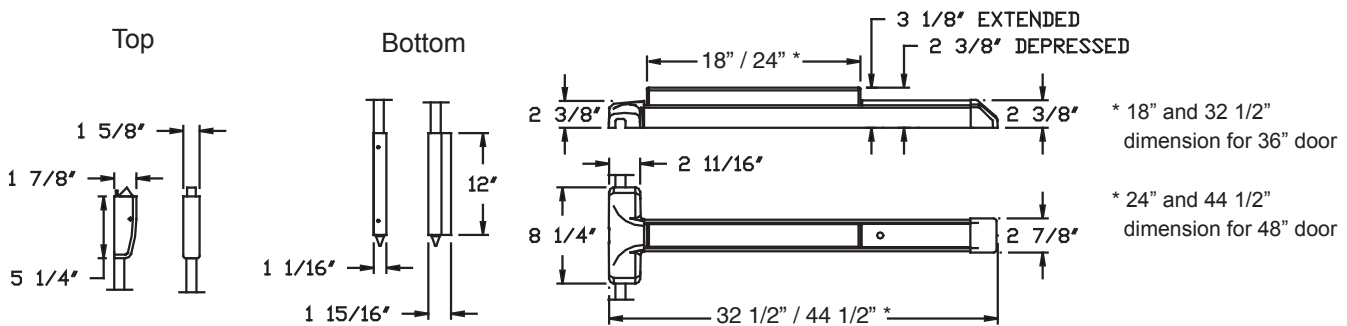
Technical Information

- Door Types - Wood, Hollow Metal, Fiberglass or Aluminum
- Door Thickness - Fits standard 1-3/4" - 2-1/4" doors (for other door thicknesses contact factory)
- Minimum Stile - 4-1/2" with standard 97 strike
- Fasteners - Machine and Self-Drilling Screws standard

Finishes

605 / US3	Polished Brass	628 / US28	Aluminum Satin	693 / SPBLK	Black, Painted
606 / US4	Brushed Brass	629 / US32	Polished Stainless Steel	695 / SP 313	Dark Bronze, Painted
611 / US9	Polished Bronze	630 / US32D	Brushed Stainless Steel		
612 / US10	Brushed Bronze				
613 / US10B	Oil Rubbed Bronze				

Dimensions



Listings and Approvals



UL Listed Panic Hardware



ULC 97, Standard 7-2 and UL10B/UL10C for positive pressure



UL Listed Fire Exit Hardware for 3 hours, maximum 4'x10' single doors and 8'x10' pairs of doors



Meets NFPA 80 & 101 for Life Safety



Meets ADA requirements



State of Florida Approval



ANSI/BHMA certified A156.3



California State Fire Marshal

Detex Limited Warranty

10 Year Mechanical/3 year Electrical Limited Manufacturer's Warranty

Where Trust is Built™

DETEX®

Life Safety and Security Door Hardware

Detex Corporation
302 Detex Drive
New Braunfels, Texas 78130-3045 USA
PH. (830) 629-2900
(800) 729-3839

FAX (800) 653-3839
http://www.detex.com
USA Sales:
marketing@detex.com
International Sales:
export@detex.com

For detailed windstorm and fire listings, www.visitdetex.com/PROVEN

⚠ Cancer & Reproductive Harm - www.detex.com/prop65