

# AO19 SERIES®

## AO19 Safety Presence Sensor

### FRM-AI Presence Sensor

---

The 104790 sensor is a 4-row presence sensor designed to provide safety protection for all types of automatic doors. The 104790 is based upon the most reliable active infrared (AI) technology available - Floor Reflection Method (FRM).



---

### Benefits

- One sensor covers any safety zone application.
- There is no lens or zone masking required.
- All adjustments are available without the use of proprietary set-up devices.
- SafePath Maximum Pattern Infrared (MPI™) sensors use more beams than other manufacturers and provide a level of safety not found in other standalone infrared sensors.
- The pattern width and depth are both mechanically adjustable. In addition the depth can be altered electronically from 5 to 2 rows.

---

### Features

- Up to 32 detection zones.
- Electronic depth adjustment from 1 to 4 rows (also 0° to 10° tilt settings)
- Four Presence Timer and frequency settings
- Mount up to 10' (3m) high.
- Quick-connect wiring (harness included)
- Sensitivity Adjustment Variable (via potentiometer)
- Mechanical width settings (from 36" to over 7')

---

### Accessories

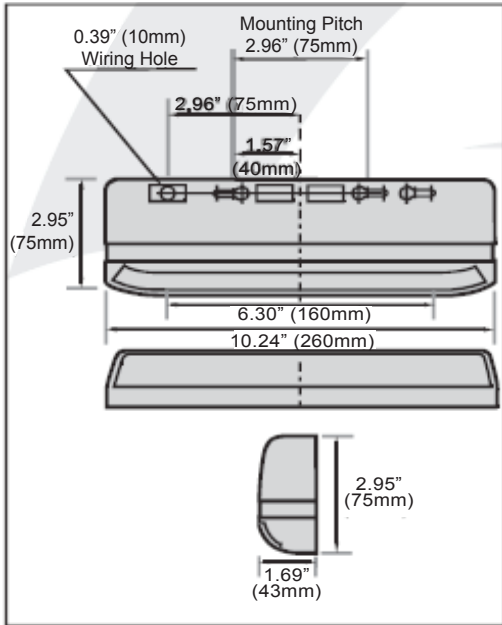
- Cable: 10 ft. (3m)
- Rain cover available (contact factory)

## Technical Information

- Temperature Range: -4°F to 140°F (-20°C to 60°C)
- 12V to 24V AC or DC operation
- Weight: approx. 0.8 lbs. (0.35 kg)

- Form C Dry Relay Contact (N.O., COM, N.C.)

## Dimensions



## Listings and Approvals



American National Standards Institute (ANSI)



Building Hardware Manufacturers Association (BHMA) - ANSI/BHMA A156.10 & A156.19

Enclosure Rating IP54 (IEC60529)

CE

## Warranty

1 Year Limited Manufacturer's Warranty

*Where Trust is Built™*  
**DETEX®**  
*Life Safety, Security and Security Assurance*

Detex Corporation  
302 Detex Drive  
New Braunfels, Texas 78130-3045 USA  
PH. (830) 629-2900  
(800) 729-3839  
FAX (800) 653-3839  
<http://www.detex.com>  
USA Sales:  
[marketing@detex.com](mailto:marketing@detex.com)  
International Sales:  
[export@detex.com](mailto:export@detex.com)

 Cancer & Reproductive Harm - [www.detex.com/prop65](http://www.detex.com/prop65)