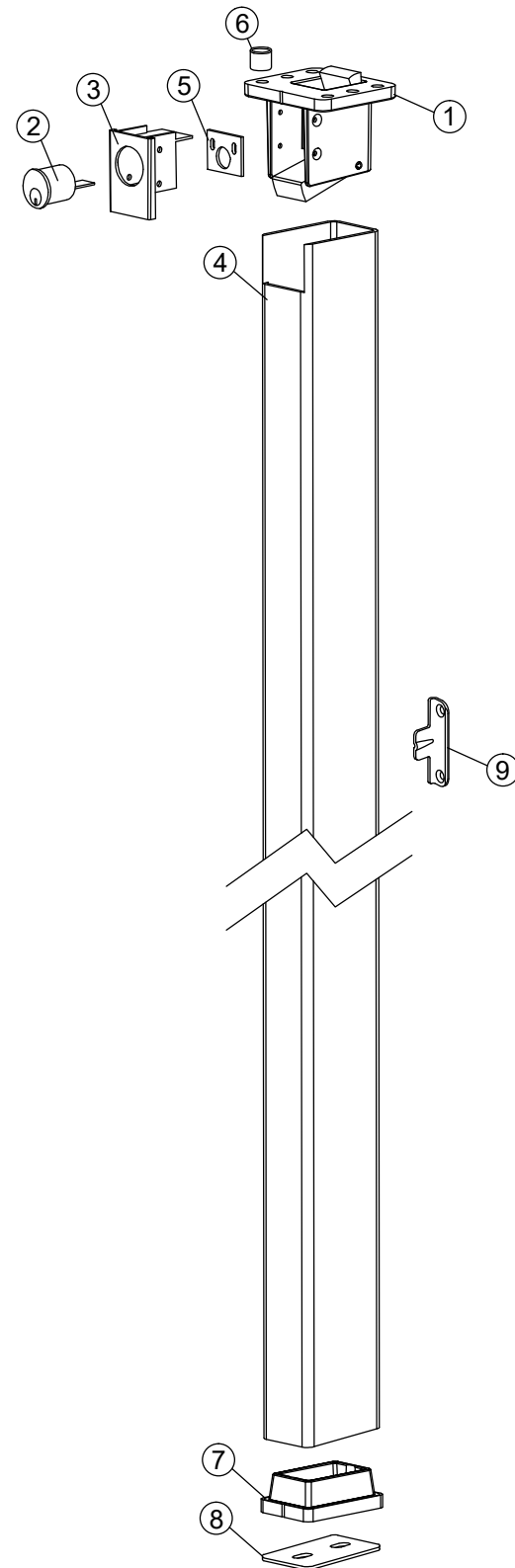


90 SERIES

90KR/F90KR Parts List



| Item | Part No | Description | List Price |
|------|------------|--|------------|
| 1 | 100222-5 | Top fitting subassy, 90KRE | \$ 245.00 |
| | 100222-1 | Top fitting subassy, 90KR | \$ 145.00 |
| | 100222 | Top fitting subassy, F90KR | \$ 139.00 |
| 2 | ECL-445K-7 | Rim Cylinder (sold separately) | \$ 32.00 |
| 3 | 100215K | Cylinder housing | \$ 12.00 |
| 4 | 100213-1 | Post, Mullion, F90KR / 90KR, 7 ft | \$ 215.00 |
| | 100213 | Post, Mullion, F90KR / 90KR, 8 ft | \$ 225.00 |
| | 100213-2 | Post, Mullion, F90KR / 90KR, 10 ft | \$ 305.00 |
| | 106397-1 | Post, Mullion Subassy, 90KRE, 7 ft | \$ 232.00 |
| | 106397-2 | Post, Mullion Subassy, 90KRE, 8 ft | \$ 242.00 |
| | 106397-3 | Post, Mullion Subassy, 90KRE, 10 ft | \$ 319.00 |
| 5 | 100221 | Rim cylinder back plate (in hardware kit) | \$ 3.00 |
| 6 | 101593-1 | Spacer, Mullion, 1/2" long (in hardware kit) | \$ 2.00 |
| | 101593-2 | Spacer, Mullion, 5/8" long (in hardware kit) | \$ 2.00 |
| 7 | 100226 | Base, Mullion (in hardware kit) | \$ 40.00 |
| 8 | 100219 | Shim, Mullion (in hardware kit) | \$ 4.00 |
| 9 | 100091 | Strike Hook (in hardware kit) | \$ 11.00 |