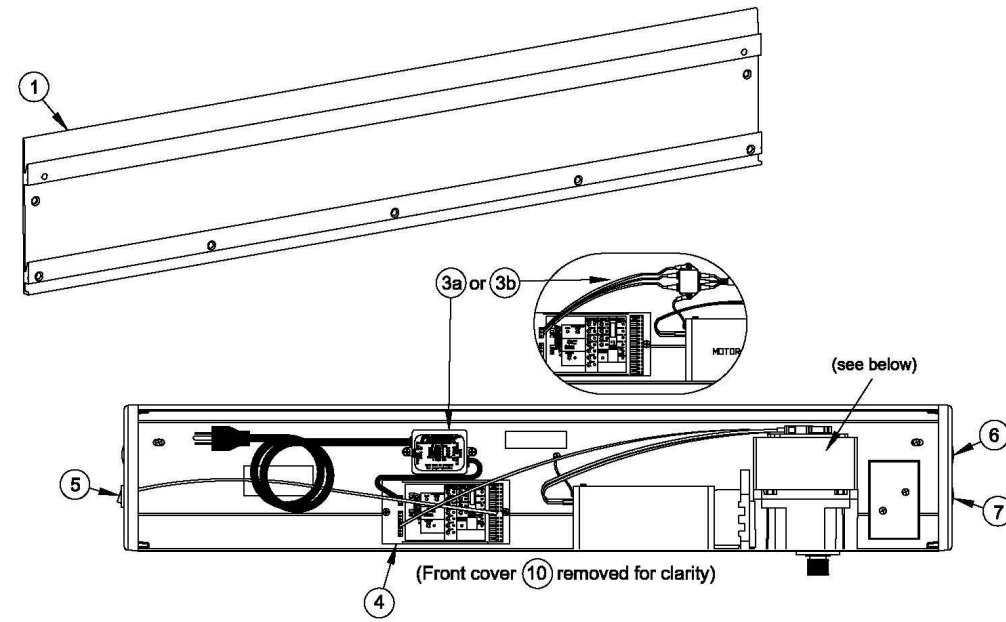
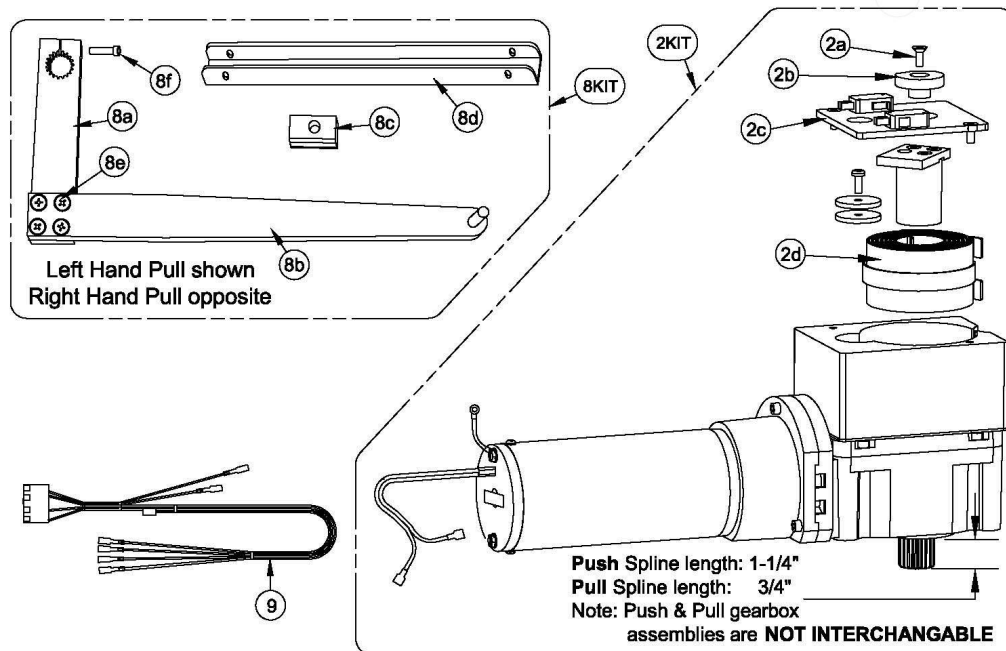


AO19 SERIES®

AO19-1 Pull Parts List



Left Hand Pull device shown above and throughout this instruction.



Item	Order Part#	Description	Price
1	12515-1	Hanger plate, AO19, Aluminum finish, 38" long	\$150.00
	12515-2	Hanger plate, AO19, Bronze finish, 38" long	\$136.00
	12515-3	Hanger plate, AO19, Aluminum finish, 44" long	\$195.00
	12515-4	Hanger plate, AO19, Bronze finish, 44" long	\$195.00
	12515-13	Hanger plate, AO19, Aluminum finish, 50.50" long	\$234.00
	12515-14	Hanger plate, AO19, Bronze finish, 50.50" long	\$234.00
2KIT	104796-4	S&R Motor-gearbox assembly, AO19, RH Pull (includes 2a-2d)	\$1,937.00
	104796-2	S&R Motor-gearbox assembly, AO19, LH Pull (includes 2a-2d)	\$1,937.00
2a	12407-2	Screw, mach, 10-32 x 1/2", flat socket head	\$0.27
2b	12607	Cam, AO19	\$2.34
2c	104705	Switch plate subassembly	\$55.00
2d	105433	S&R AO19 Clock spring replacement kit	\$160.00
3a	105416-2	S&R Kit, 120VAC Line filter, 4 ft	\$382.67
3b	105416-5	S&R Kit, 120VAC Line filter, 4 ft (alternate build)	\$141.00
4	105421	S&R Controller, operator, UDC 1000	\$1,162.00
5	105422	S&R Switch, 3 way toggle, with cable & connector (for UDC Controller)	\$175.00
6	12905	Plug, hole, .875 dia.	\$1.15
7	12906	Plug, hole, 1.093 dia.	\$1.15
8KIT	104797-1	Pull Arm subassembly, Aluminum finish (includes 8a-8f)	\$342.00
	104797-2	Pull Arm subassembly, Bronze finish (includes 8a-8f)	\$342.00
8a	12781-1	Power Arm, AO19, Aluminum finish	\$152.00
	12781-2	Power Arm, AO19, Bronze finish	\$152.00
8b	12787-1	Forearm, AO19, Aluminum finish	\$144.00
	12787-2	Forearm, AO19, Bronze finish	\$144.00
8c	12784	Block, Arm Slide	\$49.00
8d	12785-1	Slide Track, Aluminum finish	\$56.00
	12785-2	Slide Track, Bronze finish	\$56.00
8e	102271-112	Screw, Mach, 1/4-20 PFH, Stainless Steel	\$0.57
	102271-312	Screw, Mach, 1/4-20 PFH, Stainless Steel, Black	\$2.29
8f	12742-1	Screw, Socket head cap, 1/4-20 x 1", Stainless Steel	\$1.15
	12742-2	Screw, Socket head cap, 1/4-20 x 1", Black	\$0.57
9	104706	Micro harness, AO19	\$48.00
10	12516-1	Cover, AO19, Aluminum finish, 38.75" long	\$137.00
	12516-2	Cover, AO19, Bronze finish, 38.75" long	\$136.00
	12516-3	Cover, AO19, Aluminum finish, 44.25" long	\$154.00
	12516-4	Cover, AO19, Bronze finish, 44.25" long	\$154.00
	12516-13	Cover, AO19, Aluminum finish, 50.75" long (not shown)	\$184.00
	12516-14	Cover, AO19, Bronze finish, 50.75" long (not shown)	\$184.00

NOTE: Your particular part or configuration may not be shown: Contact Detex technical support at 800-729-3839 (option 2)