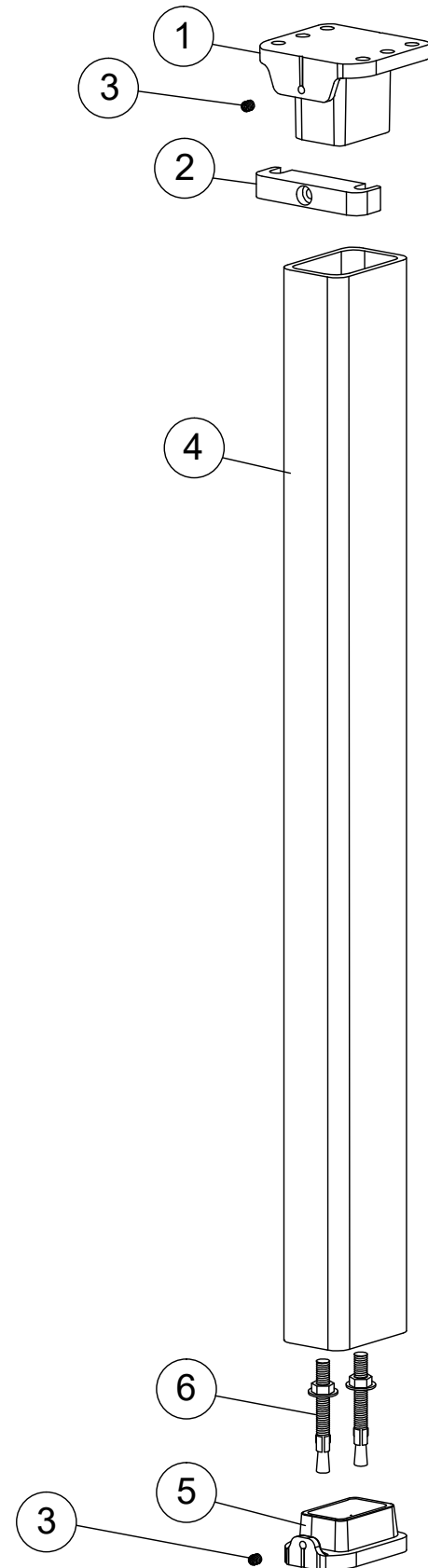


# 90 SERIES

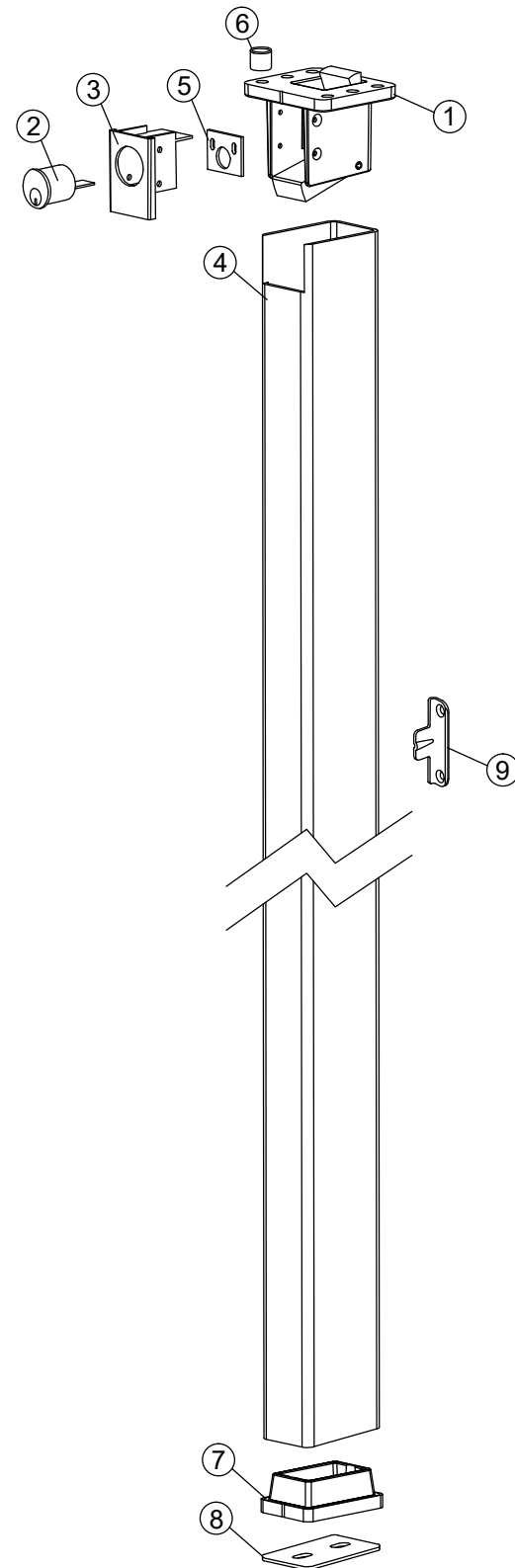
## 90R/F90R Parts List



Item	Part No	Description	List Price
1	106732	Top fitting, Mullion, 90R	\$ 46.00
2	106074	Frame spacer block	\$ 38.00
3	106087	Set screw, 1/4-20 x 5/16, SS	\$ 0.25
4	106730-1	Mullion Channel, 90R, 7 foot	\$ 145.00
	106730-2	Mullion Channel, 90R, 8 foot	\$ 149.00
5	106731	Base fitting, Mullion, 90R	\$ 35.00
6	100217	Anchor, Wedge	\$ 2.00

# 90 SERIES

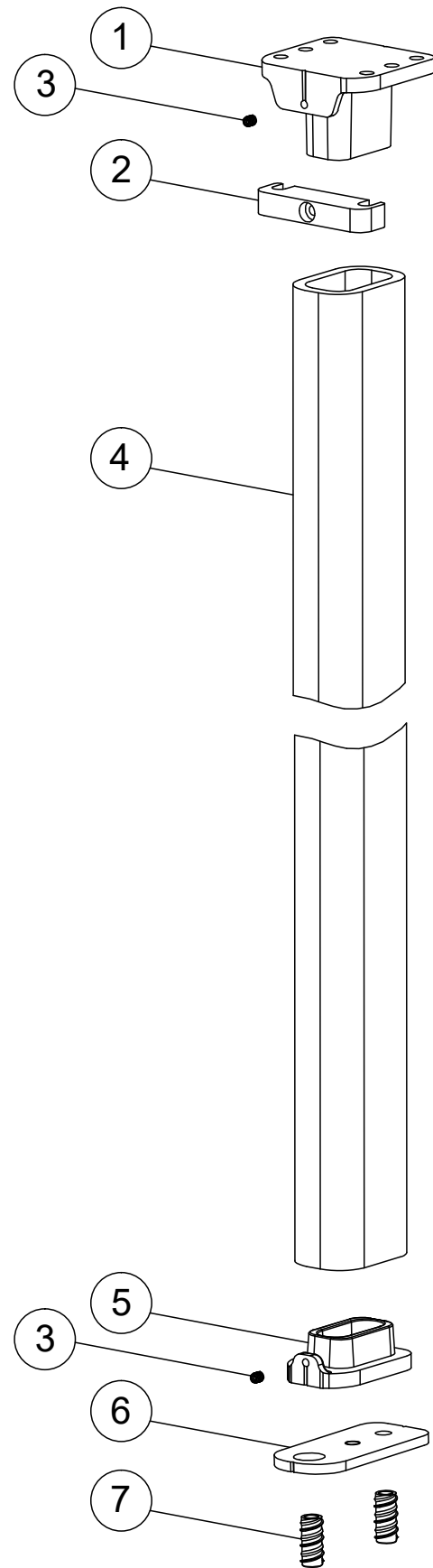
## 90KR/F90KR Parts List



Item	Part No	Description	List Price
1	100222-5	Top fitting subassy, 90KRE	\$ 245.00
	100222-1	Top fitting subassy, 90KR	\$ 145.00
	100222	Top fitting subassy, F90KR	\$ 139.00
2	ECL-445K-7	Rim Cylinder (sold separately)	\$ 32.00
3	100215K	Cylinder housing	\$ 12.00
4	100213-1	Post, Mullion, F90KR / 90KR, 7 ft	\$ 215.00
	100213	Post, Mullion, F90KR / 90KR, 8 ft	\$ 225.00
	100213-2	Post, Mullion, F90KR / 90KR, 10 ft	\$ 305.00
	106397-1	Post, Mullion Subassy, 90KRE, 7 ft	\$ 232.00
	106397-2	Post, Mullion Subassy, 90KRE, 8 ft	\$ 242.00
	106397-3	Post, Mullion Subassy, 90KRE, 10 ft	\$ 319.00
5	100221	Rim cylinder back plate (in hardware kit)	\$ 3.00
6	101593-1	Spacer, Mullion, 1/2" long (in hardware kit)	\$ 2.00
	101593-2	Spacer, Mullion, 5/8" long (in hardware kit)	\$ 2.00
7	100226	Base, Mullion (in hardware kit)	\$ 40.00
8	100219	Shim, Mullion (in hardware kit)	\$ 4.00
9	100091	Strike Hook (in hardware kit)	\$ 11.00

# 90 SERIES

## H90R/H90R5 Parts List



Item	Part No	Description	List Price
1	106079	Top fitting, Hurricane Mullion, H90R5	\$ 43.70
	106092	Top fitting, Hurricane Mullion, H90R	\$ 35.50
2	106074	Frame spacer block,	\$ 34.00
3	106087	Set screw, 1/4-20 x 5/16, SS	\$ 0.12
4	106075-1	Mullion Channel, H90R5 7 foot	\$ 369.00
	106075-4	Mullion Channel, H90R5 7 foot, 230X prep	\$ 502.40
	106076-1	Mullion Channel, H90R 7 foot	\$ 215.00
	106076-2	Mullion Channel, H90R 8 foot	\$ 225.00
5	106078	Base fitting, Hurricane Mullion, H90R5	\$ 31.00
	106091	Base fitting, Hurricane Mullion, H90R	\$ 34.00
6	106093	Mullion base affixment plate	\$ 16.60
7	106071-2	Concrete floor anchor, 3/8 diameter	\$ 4.00