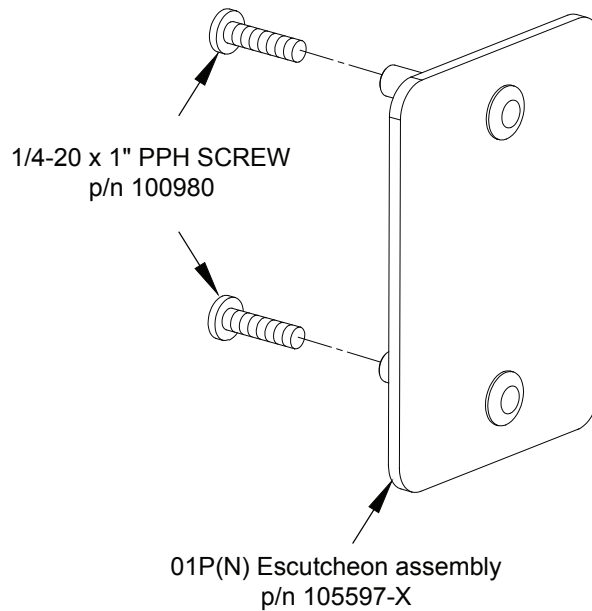


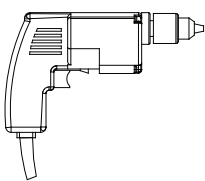
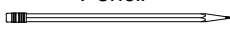
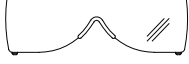




Detex Corporation, 302 Detex Drive, New Braunfels, Texas 78130-3045
(830)629-2900 / 1-800-729-3839 / Fax (830)620-6711
E-MAIL: detex@detex.com INTERNET: www.detex.com

INSTALLATION INSTRUCTIONS FOR 01P / 01PN VALUE SERIES TRIM

part number 105600-X, drawing number 105600

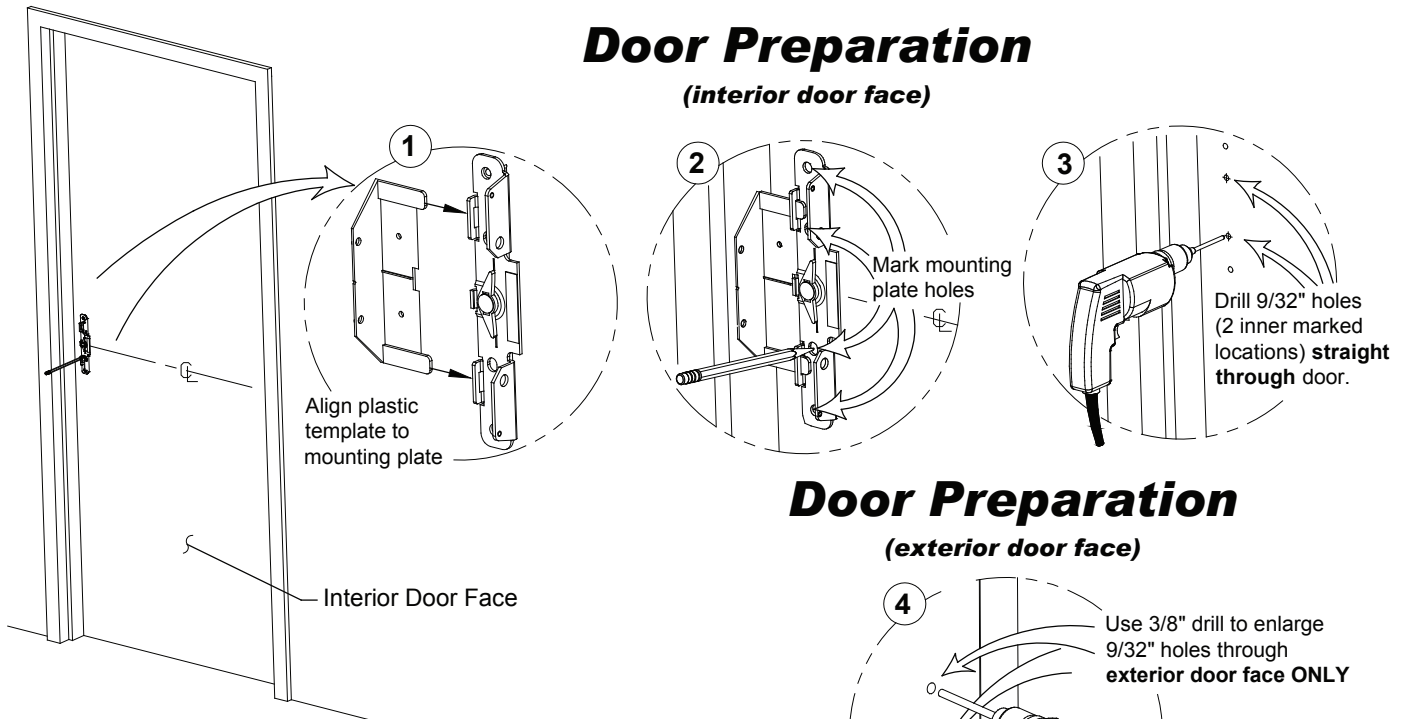


Owner's Copy

Tools Required			
Power Drill 	Pencil 	Safety Glasses 	Center Punch 
	Hammer 	Tape Measure 	Screw Driver 

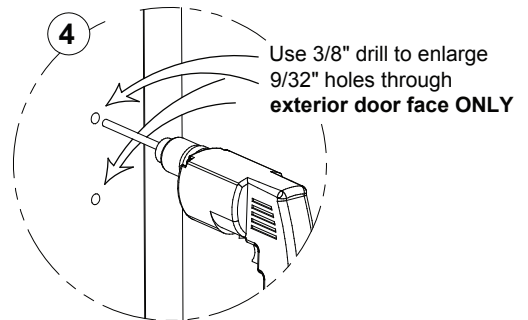
Door Preparation

(interior door face)



Door Preparation

(exterior door face)



Installing the Trim

(Note: Rim device shown for reference only. Refer to device instructions for further detail)

