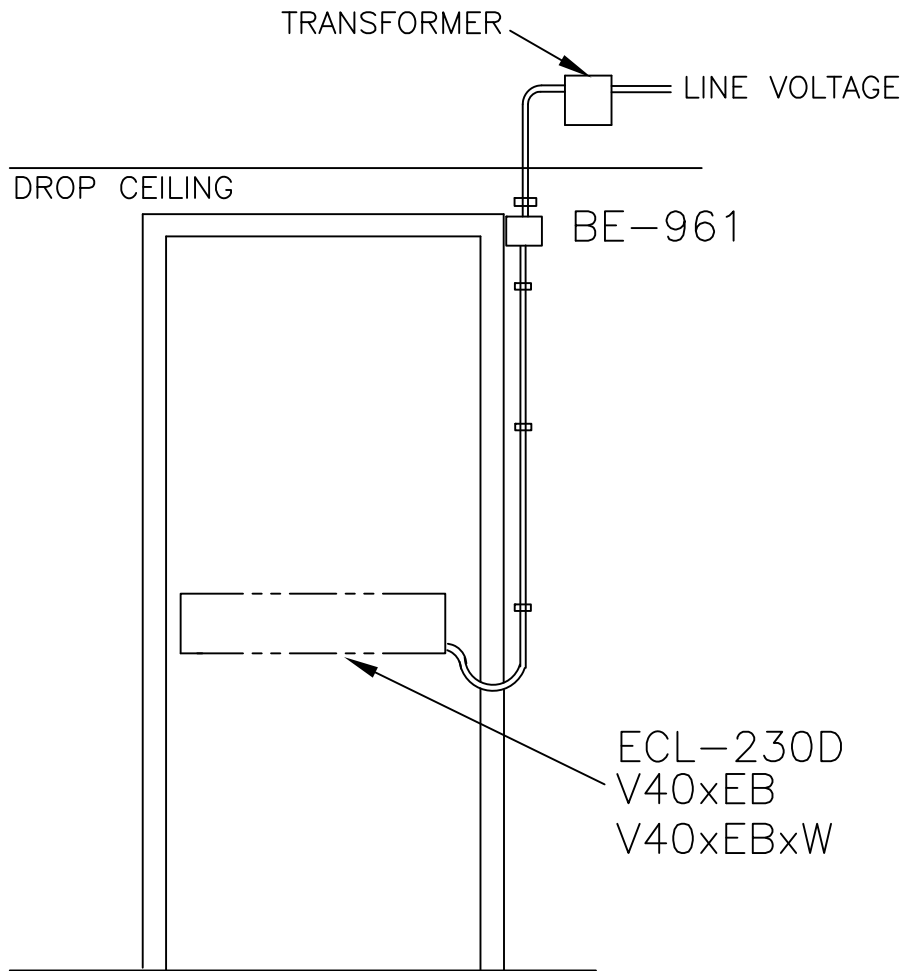


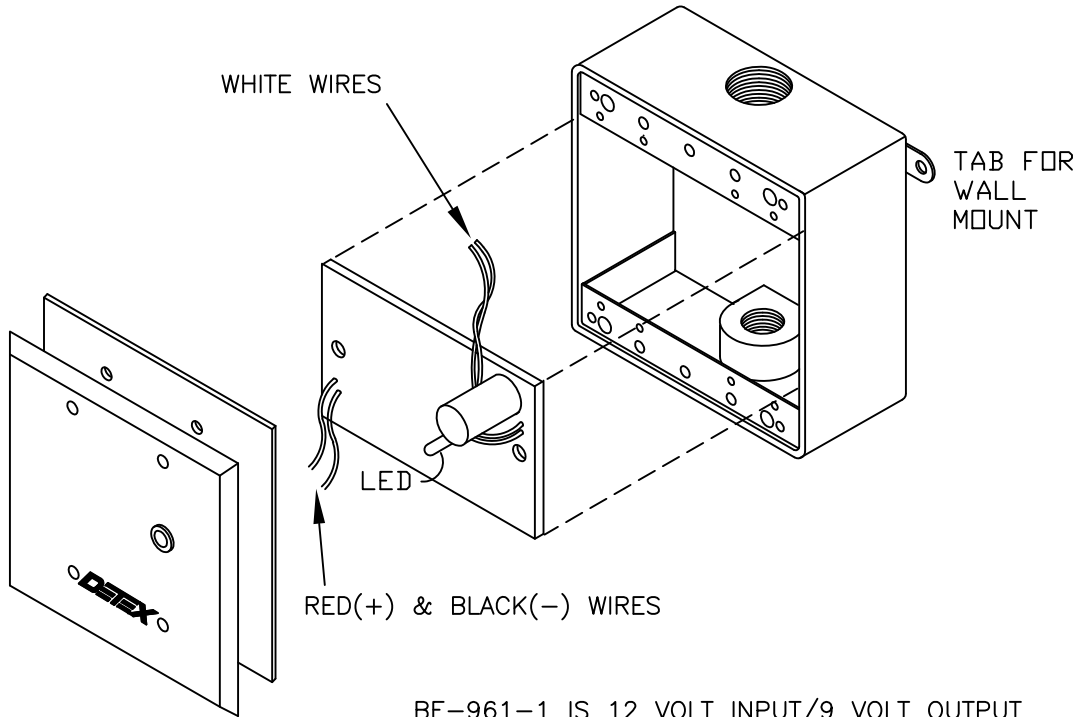
Detex Corporation, 302 Detex Drive, New Braunfels, Texas 78130-3045
(830)629-2900 / 1-800-729-3839 / Fax (830)620-6711
E-MAIL: detex@detex.com INTERNET: www.detex.com
**INSTALLATION INSTRUCTIONS FOR DETEX BE-961
BATTERY ELIMINATOR**



Owner's Copy

* Note: Parts listed above will vary according to product configuration.

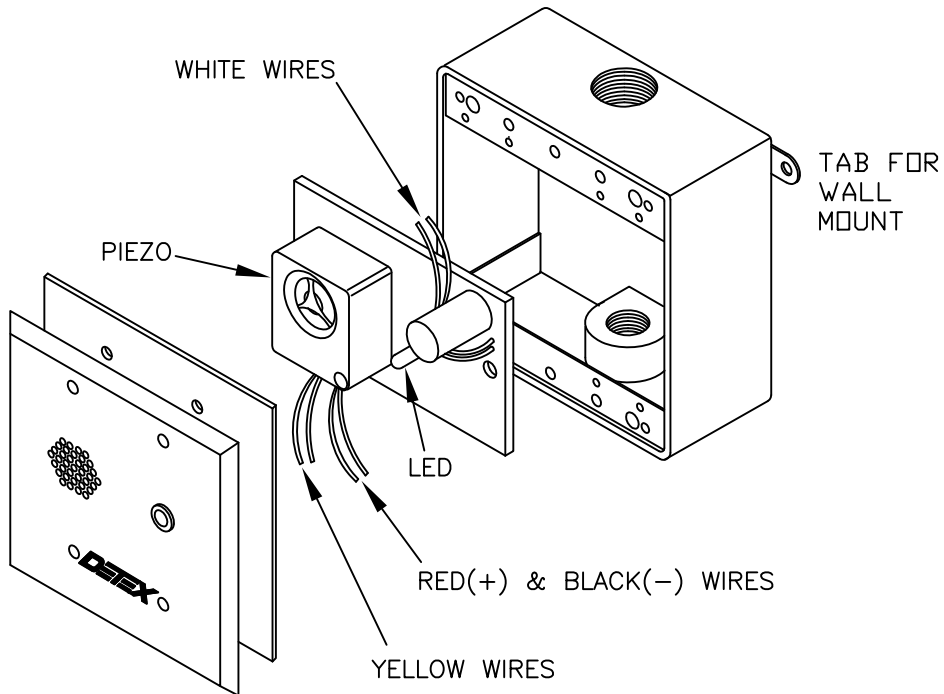
BE-961-1 & BE-961-3 MODELS



BE-961-1 IS 12 VOLT INPUT/9 VOLT OUTPUT

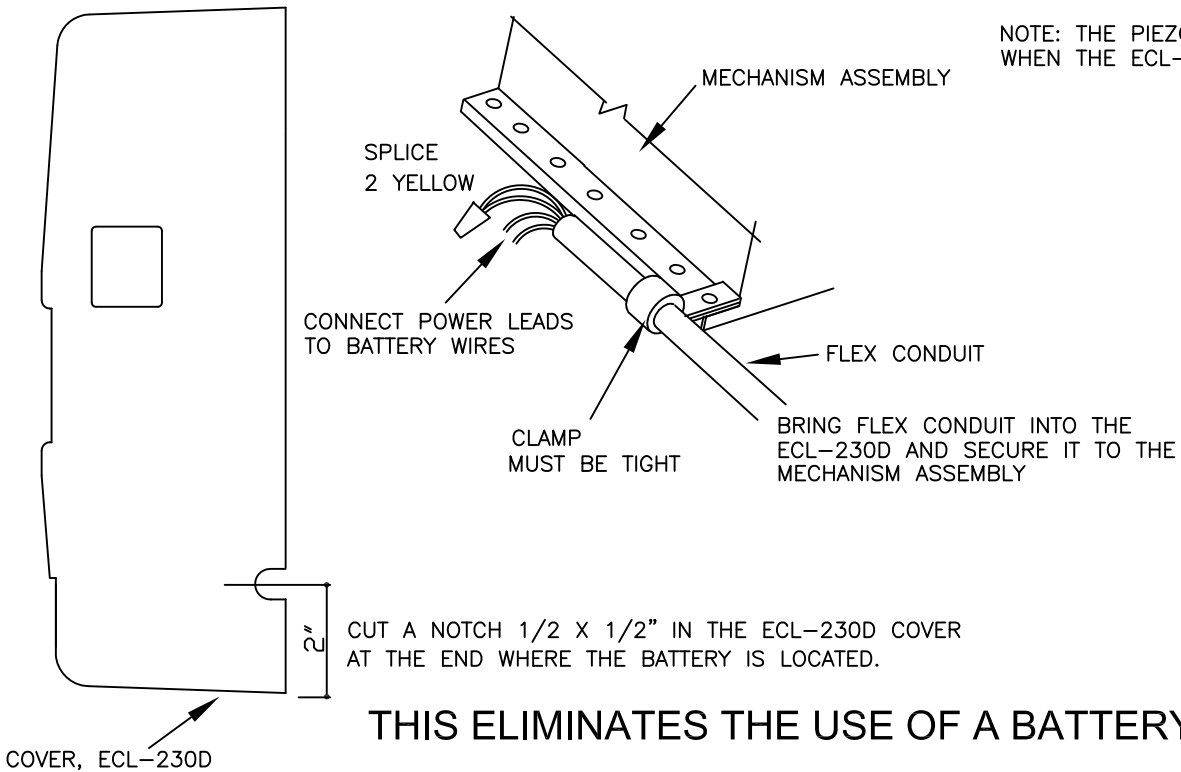
BE-961-3 IS 24 VOLT INPUT/9 VOLT OUTPUT.

BE-961-2 MODEL



BE-961-2 IS 12 VOLT INPUT/9 VOLT OUTPUT

ECL-230D COVER MODIFICATION FOR USE WITH BATTERY ELIMINATOR



NOTE: THE PIEZO IN THE BE-961-2 SOUNDS WHEN THE ECL-230D ALARMS.

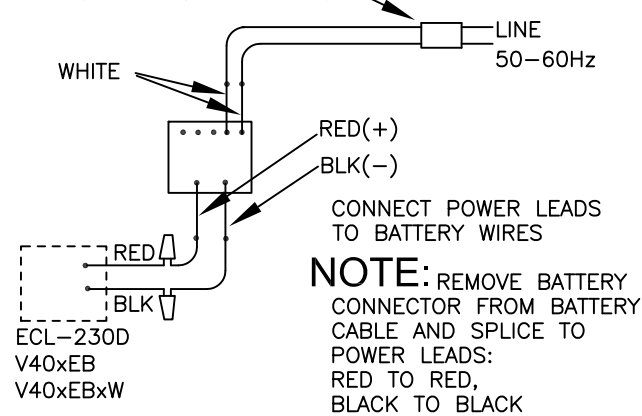
BE-961-1, -2, -3 WIRING CONNECTIONS

BE-961-1 & BE-961-3

TRANSFORMER

12VAC/25VA (BE-961-1)

24VAC/50VA (BE-961-3)

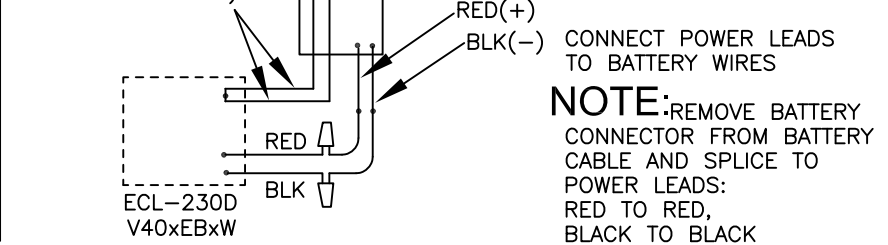


BE-961-2

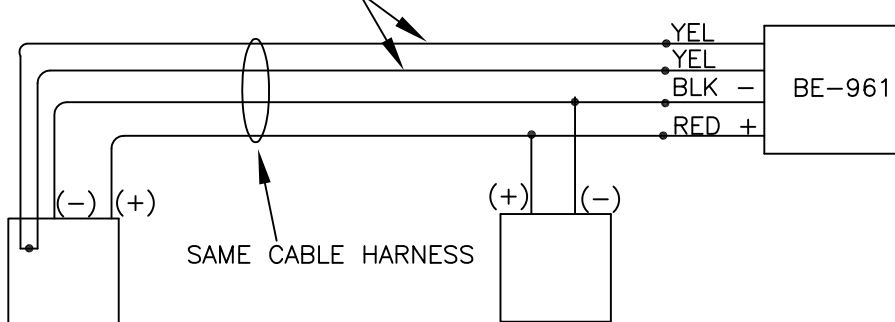
NOTE:

THE YELLOW WIRES SERVE
AS A SUPERVISORY LOOP.
IF THE WIRES ARE CUT,
THE ALARM SOUNDS.

YELLOW WIRES
(SPLICED TOGETHER
INSIDE ENCLOSURE)



(BE-961-2 ONLY)



THE BE-961 CAN DRIVE UP TO TWO EXIT CONTROL LOCKS (ECL-230D, V40xEB/V40xEBxW). THE WIRING TO THE ECL-230D OR THE V40xEB/V40xEBxW WILL BE THE SAME. THE RECOMMENDED WIRING FROM THE BE-961 TO THE EXIT CONTROL LOCKS IS #16 TWISTED PAIR. THE WIRE RUN FROM THE MOST REMOTE UNIT TO THE BE-961 SHOULD NOT EXCEED 75 FEET. RUN YELLOW WIRES TO MOST REMOTE UNIT(-2 ONLY)