



Detex Corporation, 302 Detex Drive, New Braunfels, Texas 78130-3045  
 830-629-2900 / 800-729-3839 / Fax 800-653-3839 / Text photos only: 830-481-6433 / INTERNET: www.detex.com

---

**INSTALLATION INSTRUCTIONS FOR ADVANTEX MODEL 0000 & 0500 DUMMY PUSH BAR**

---

DWG #: 101832

Table of Contents	Page
Device parts breakdown view & part numbers.....	2
Install device.....	3

Should you have a Question/Problem with your Detex device please call Detex Technical Support from job site at 1-800-729-3839 and choose option 2 on our menu. Please do not return the product to the distributor.

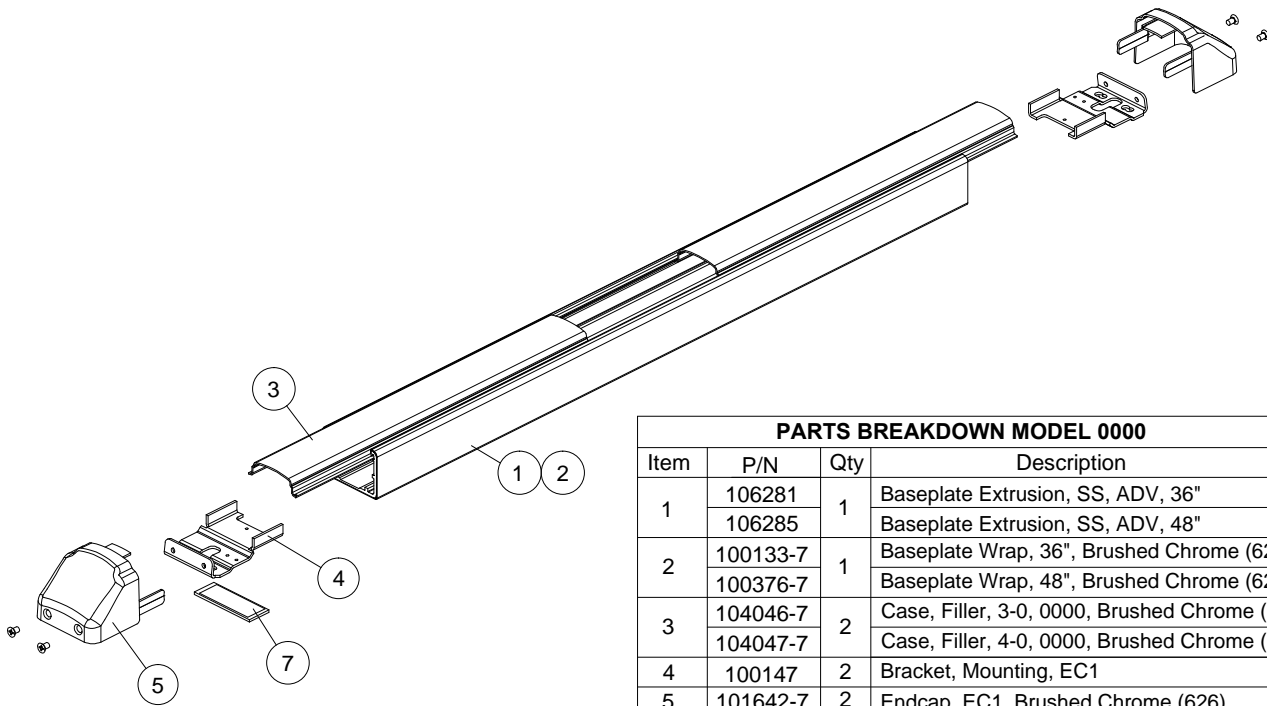
**For WARRANTY information,  
 scan code below or  
 go to [www.detex.com/warranty](http://www.detex.com/warranty)**



**For device installation videos,  
 scan code below or  
 go to [www.detex.com/videos](http://www.detex.com/videos)**

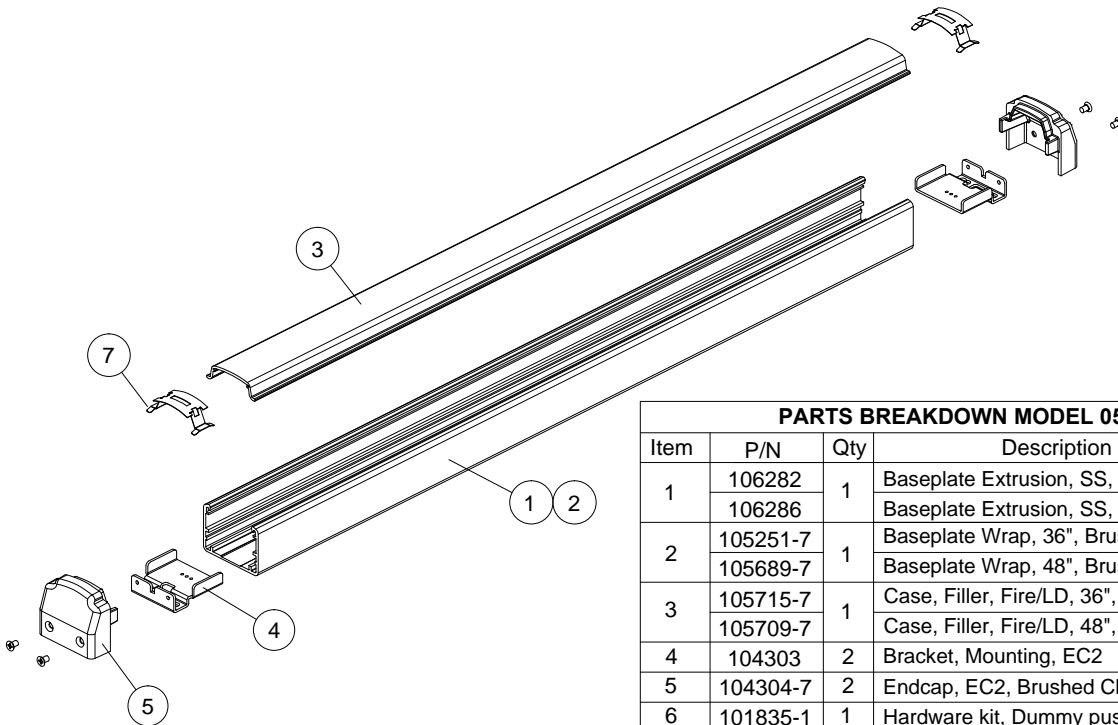


Owner's Copy



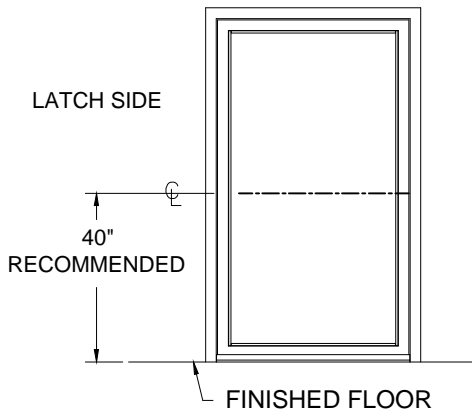
PARTS BREAKDOWN MODEL 0000			
Item	P/N	Qty	Description
1	106281	1	Baseplate Extrusion, SS, ADV, 36"
	106285		Baseplate Extrusion, SS, ADV, 48"
2	100133-7	1	Baseplate Wrap, 36", Brushed Chrome (626) STD1
	100376-7		Baseplate Wrap, 48", Brushed Chrome (626) STD1
3	104046-7	2	Case, Filler, 3-0, 0000, Brushed Chrome (626)
	104047-7		Case, Filler, 4-0, 0000, Brushed Chrome (626)
4	100147	2	Bracket, Mounting, EC1
5	101642-7	2	Endcap, EC1, Brushed Chrome (626)
6	101835-1	1	Hardware kit, Dummy pushbar (not shown)
7	101840-7	2	Fascia filler and tape assembly (626)

Your particular part or configuration may not be shown: Contact Detex technical support at 800-729-3839 (option 2)

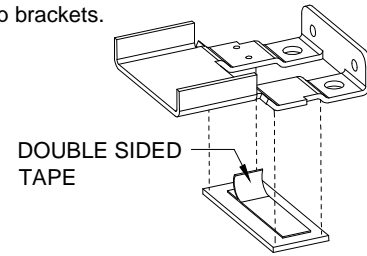


PARTS BREAKDOWN MODEL 0500			
Item	P/N	Qty	Description
1	106282	1	Baseplate Extrusion, SS, ADV, 36"
	106286		Baseplate Extrusion, SS, ADV, 48"
2	105251-7	1	Baseplate Wrap, 36", Brushed Chrome (626) STD2
	105689-7		Baseplate Wrap, 48", Brushed Chrome (626) STD2
3	105715-7	1	Case, Filler, Fire/LD, 36", STD2
	105709-7		Case, Filler, Fire/LD, 48", STD2
4	104303	2	Bracket, Mounting, EC2
5	104304-7	2	Endcap, EC2, Brushed Chrome (626)
6	101835-1	1	Hardware kit, Dummy pushbar (not shown)
7	104623	2	Spring, Fillerplate, AL ADV

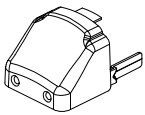
1. Mark the centerline of the mechanism. Detex recommends 40" from the finished floor.



2. If this product will be installed with EC1 endcaps on narrow stile glass door, adhere fascia to the two endcap brackets.



3. Verify the assembled unit fits on the door space. If not, use this formula for determining the amount to cut the pushbar:

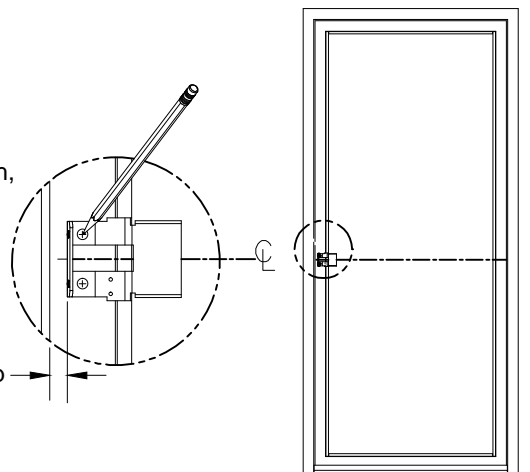
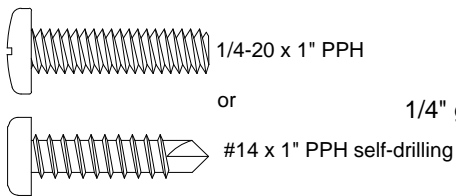


For 0000 model (EC1 endcap), cut length = (Face of Door Stop to Face of Door Stop) - 4 1/2".

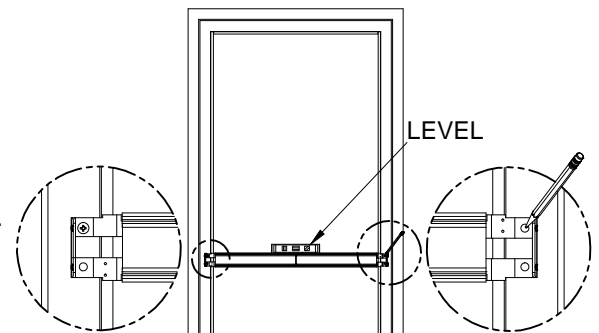


For 0500 model (EC2 endcap), cut length = (Face of Door Stop to Face of Door Stop) - 2 1/8".

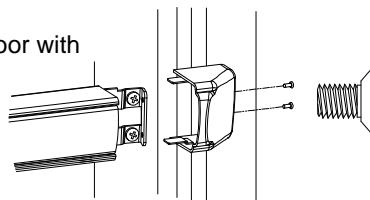
4. Center bracket on centerline mark and space bracket 1/4" from door stop, mark, center punch, and drill one hole (0000 installation shown). Screw the bracket to the door.



5. Install the pushbar and the opposite bracket onto the door. Level the pushbar, then mark, center punch, and drill the other 3 holes into the door.



6. Fasten the brackets to the door with the remaining screws.



7. Install the two end caps to the brackets.