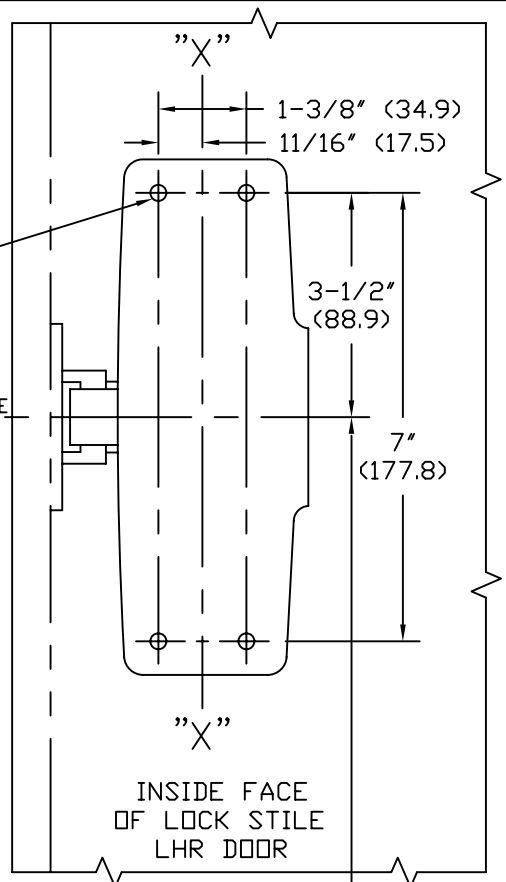
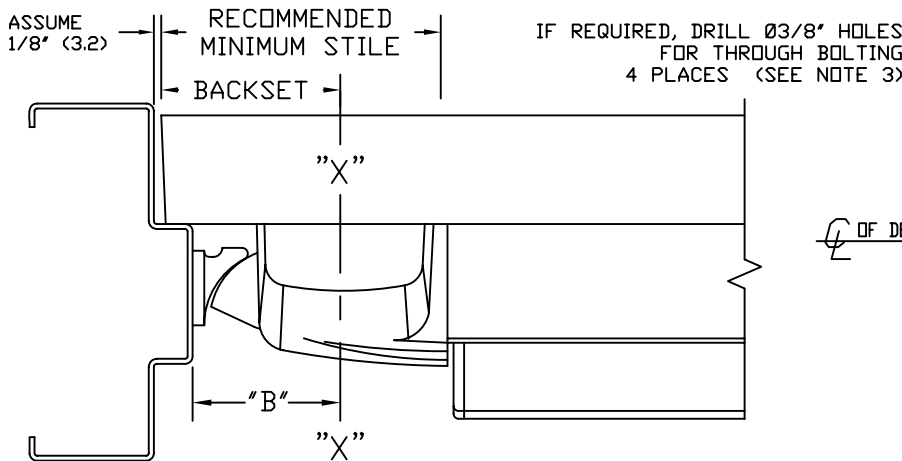
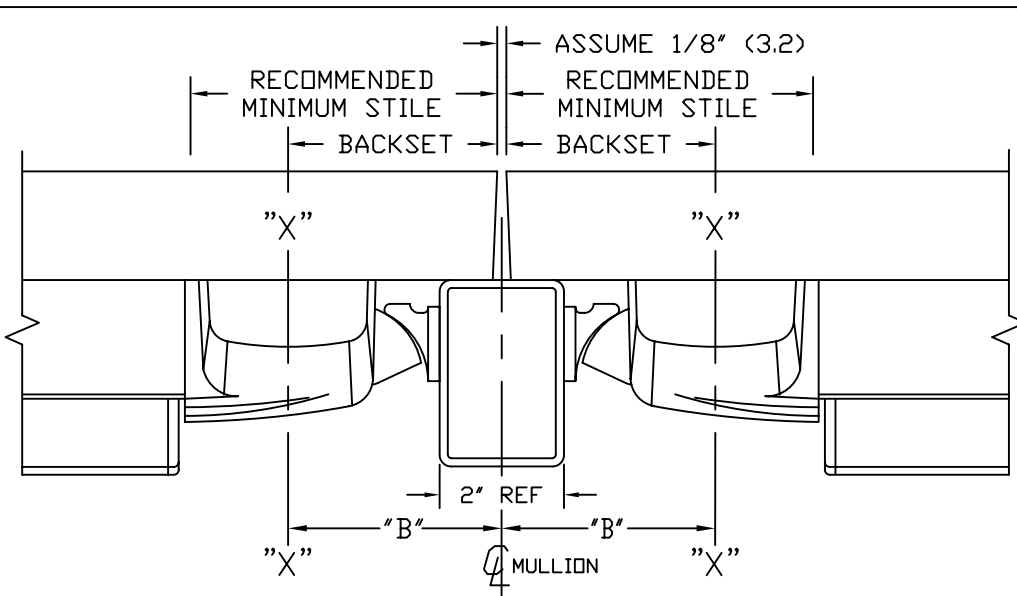


NOTES:

1. DIMENSIONS SHOWN IN INCHES AND (mm).
2. ASSUME 5/8" (16mm) STOP.
3. Ø3/16" (5mm) PILOT HOLES TO BE DRILLED AT INSTALLATION.



SINGLE DOOR INSTALLATION				
STRIKE	DIM. "B"	BACKSET	RECOMMENDED MINIMUM STILE	
99	2-7/16" (61.9)	2-15/16" (74.6)	4-5/8" (117.5)	SHOWN
98	1-15/16" (49.2)	2-7/16" (61.9)	4-1/8" (104.8)	NOT SHOWN



DOUBLE DOOR INSTALLATION WITH MULLION					
MULLION	STRIKE	DIM. "B"	BACKSET	RECOMMENDED MINIMUM STILE	
90KR & *F90KR	99	3-7/16" (87.3)	3-3/8" (85.7)	5-1/16" (128.6)	SHOWN
90KR & *F90KR	98	2-15/16" (74.6)	2-7/8" (73.0)	4-9/16" (115.9)	NOT SHOWN

\*STRIKE HOOK HOLE LOCATION SHOULD BE FIELD PREPARED

(LHR SHOWN  
RHR OPPOSITE)

40" (1016) HEIGHT  
(RECOMMENDED)  
37" (940) MIN. HEIGHT  
TO FINISHED FLOOR

HDG. \_\_\_\_\_ DR. \_\_\_\_\_

**RESPONSIBILITY**  
Door and Frame Manufacturers are responsible for providing adequate construction or reinforcements for proper installation of hardware shown. All architectural builders hardware must be installed on properly reinforced doors and frames regardless of the type, material or method of construction.

**TEMPLATE**  
WOOD DOOR  
1001 & F1001 SERIES DEVICE  
RIM EXIT DEVICE  
BP-1 or BP-7 MOUNTING PLATE

**DETEX**  
CORPORATION

DO NOT SCALE DRAWING

DATE 6/21/05

TEMPLATE NUMBER T1036