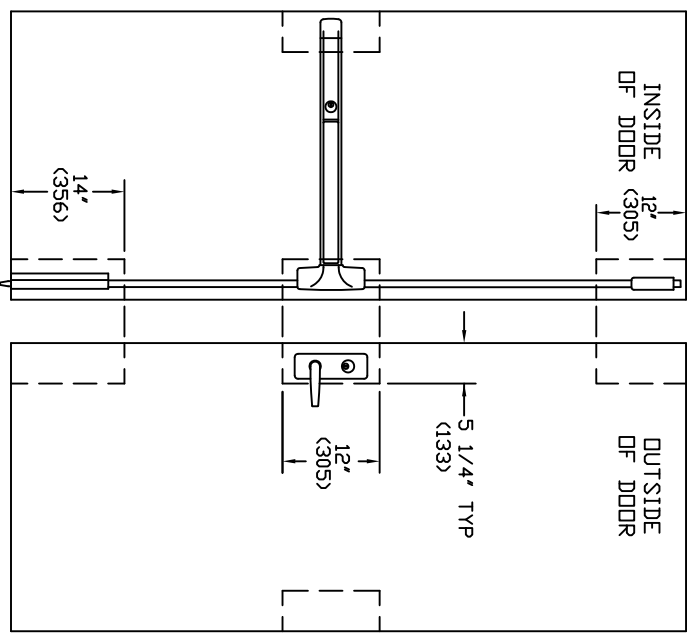


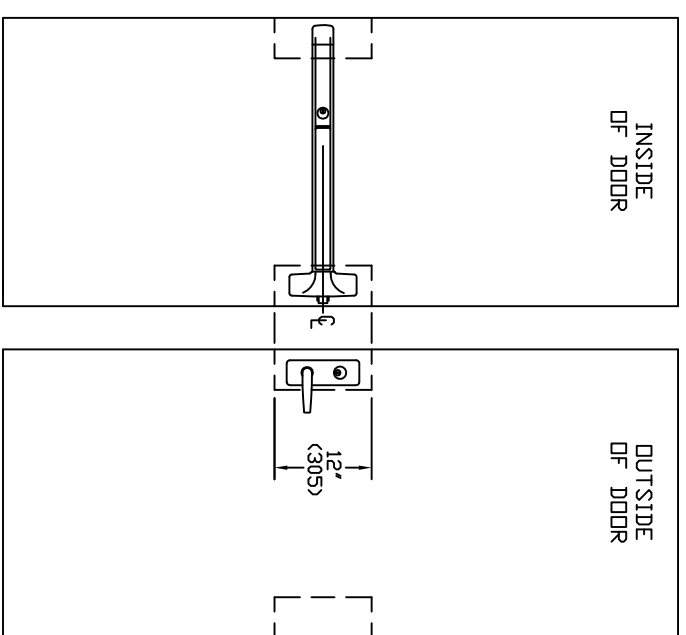
REINFORCING NOTES

- A. FOR FIRE RATED DOORS, SEE DOOR MANUFACTURERS' REQUIREMENTS FOR THROUGH BOLTED SEX NUTS.
- B. FOR ASSEMBLES WITHOUT TRIM AND NO THROUGH BOLTED SEX NUTS, TEMPLATES REQUIRE  $\phi 3/16"$  PILOT HOLES.
- C. FOR ASSEMBLES WITHOUT TRIM BUT WITH THROUGH BOLTED SEX NUTS, TEMPLATES REQUIRE  $\phi 3/8"$  PILOT HOLES.
- D. 18" x 12 GA REINFORCEMENT AT CENTERLINE OF HEADER FOR SVR DEVICE.
- E. 10" x 12 GA REINFORCEMENT AT DEVICE CENTERLINE.
- F. NO SPECIAL FRAME REINFORCEMENT NECESSARY FOR CVR DEVICES.

SURFACE VERTICAL ROD DEVICE

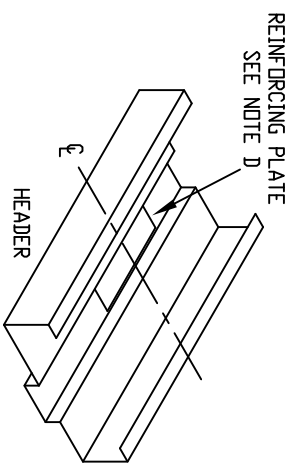


RIM, CONCEALED VERTICAL ROD DEVICES

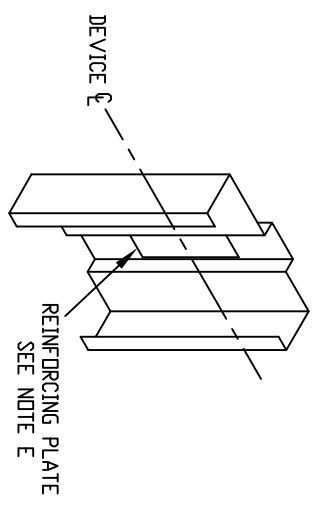


IMPORTANT INFORMATION

1. PAY PARTICULAR ATTENTION TO HARDWARE REQUIREMENTS BEFORE PREPARING THE DOOR.
2. DIMENSIONS GIVEN IN INCHES AND (mm).
3. RECOMMENDED DEVICE CENTER LINE IS 40 INCHES ABOVE FINISHED FLOOR.



SURFACE VERTICAL ROD DEVICE



RIM DEVICES ONLY

RESPONSIBILITY

Door and Frame Manufacturers are responsible for providing adequate construction or reinforcements for proper installation of hardware shown. All architectural builders hardware must be installed on properly reinforced doors and frames regardless of the type, material or method of construction.

MASTER REINFORCING SHEET

WOOD DOOR

FOR MODELS \_\_\_\_\_



DD NOT SCALE DRAWING

DATE

6-16-11

TEMPLATE NUMBER

T1035