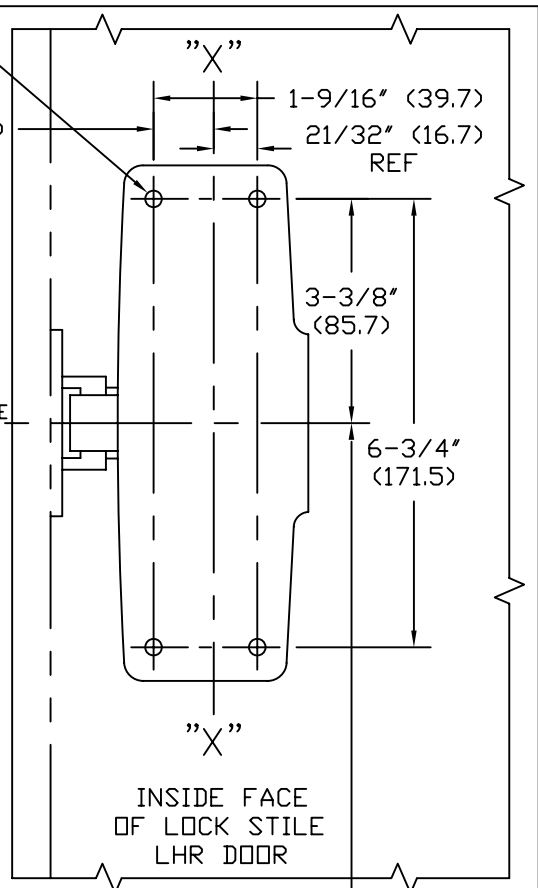
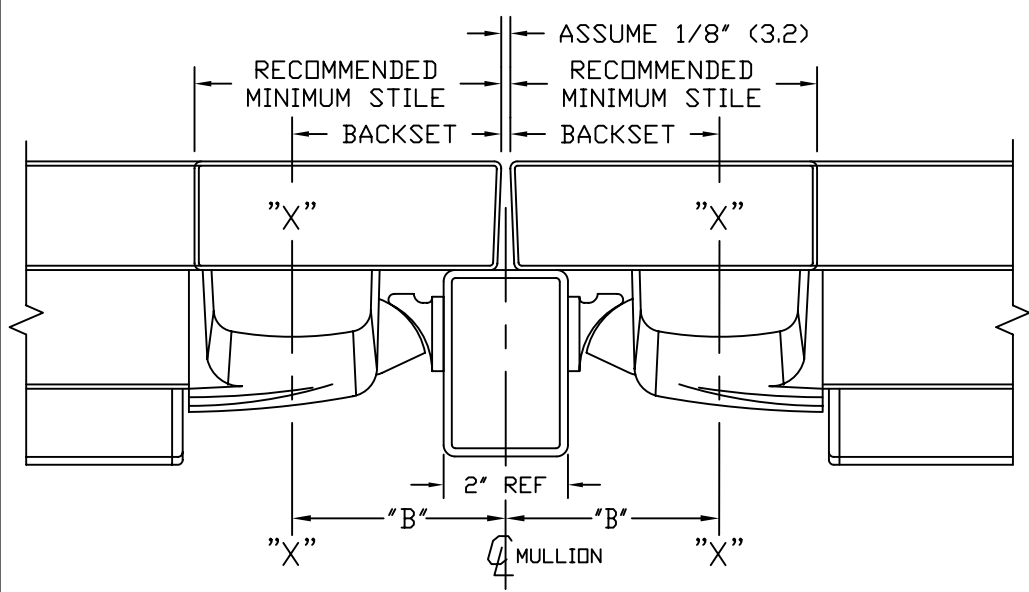


DRILL AND TAP 1/4-20 THREADS THRU THIS SIDE OF DOOR ONLY



SINGLE DOOR INSTALLATION				
STRIKE	DIM. "B"	BACKSET	RECOMMENDED MINIMUM STILE	
99	2-7/16" (61.9)	2-15/16" (74.6)	4-5/8" (117.5)	SHOWN
98	1-15/16" (49.2)	2-7/16" (61.9)	4-1/8" (104.8)	NOT SHOWN *

- NOTES:  
 1. DIMENSIONS SHOWN IN INCHES AND (mm).  
 2. ASSUME 5/8" STOP.  
 \*3. FOR ALUMINUM DOORS WITH NO BLADE STOP, USE TEMPLATE T1106.



DOUBLE DOOR INSTALLATION WITH MULLION					
MULLION	STRIKE	DIM. "B"	BACKSET	RECOMMENDED MINIMUM STILE	
90KR & F90KR**	99	3-7/16" (87.3)	3-3/8" (85.7)	5-1/16" (128.6)	SHOWN
90KR & F90KR**	98	2-15/16" (74.6)	2-7/8" (73.0)	4-9/16" (115.9)	NOT SHOWN

\*\*STRIKE HOOK HOLE LOCATION SHOULD BE FIELD PREPARED

(LHR SHOWN RHR OPPOSITE)

40" (1016) HEIGHT (RECOMMENDED)  
 37" (940) MIN. HEIGHT TO FINISHED FLOOR

**RESPONSIBILITY**  
 Door and Frame Manufacturers are responsible for providing adequate construction or reinforcements for proper installation of hardware shown. All architectural builders hardware must be installed on properly reinforced doors and frames regardless of the type, material or method of construction.

**TEMPLATE**  
 METAL/ALUMINUM DOOR  
 1001 & F1001 SERIES DEVICE  
 RIM EXIT DEVICE  
 BP-3 MOUNTING PLATE

HDG. \_\_\_\_\_ DR. \_\_\_\_\_

**DETEX CORPORATION**

DO NOT SCALE DRAWING

DATE	6/21/05	TEMPLATE NUMBER	T1012
------	---------	-----------------	-------