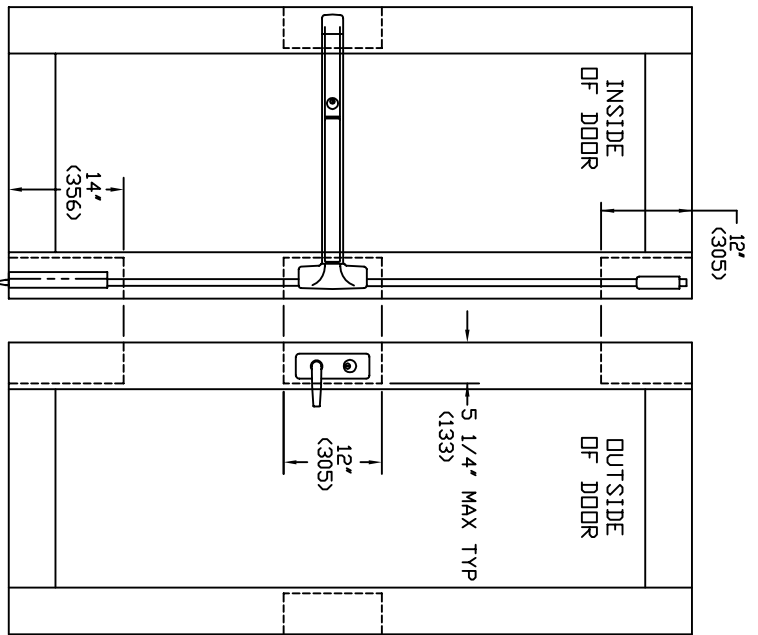
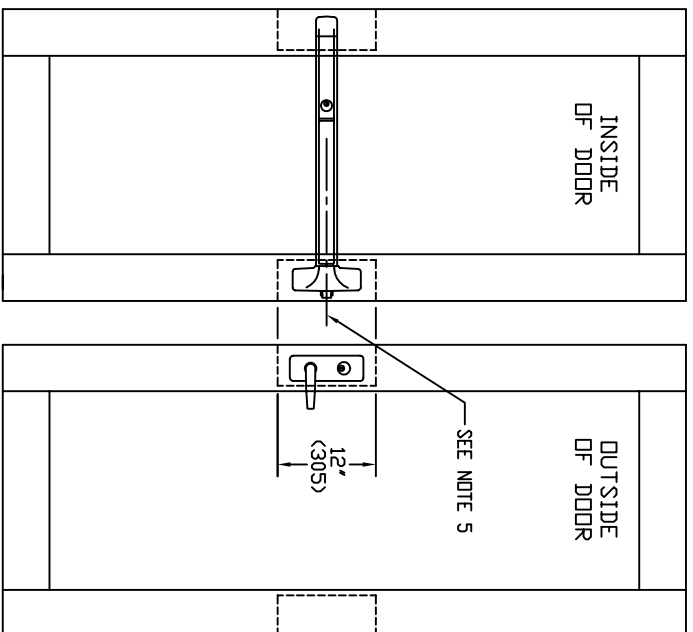


SURFACE VERTICAL RDD DEVICE



RIM DEVICE

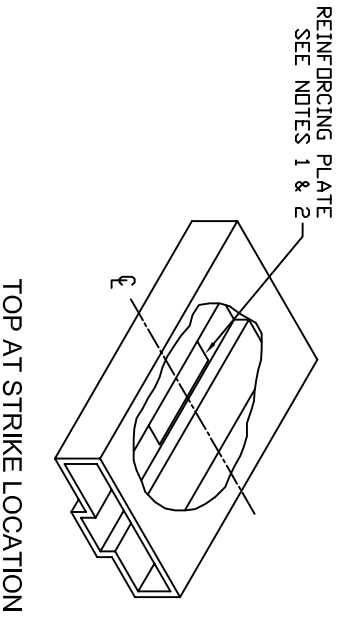


REINFORCING NOTES

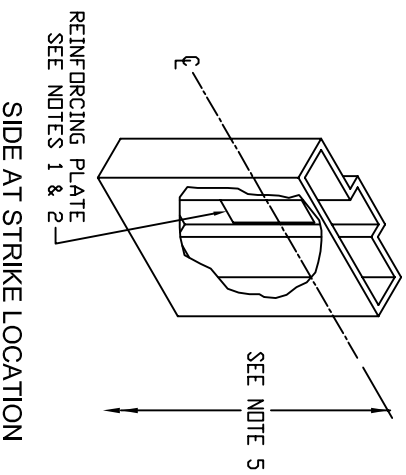
1. RECOMMENDED SIZES AND LOCATIONS FOR REINFORCING ARE SHOWN AT LEFT FOR REFERENCE.
2. 1/8" THICK ALUMINUM EXTRUSION IS RECOMMENDED FOR DEVICE/STRIKE OR LATCH MOUNTING. FOR THINNER WALLS, USE BLIND RIVETS OR THRU BOLTING IF REINFORCEMENT IS NOT POSSIBLE.

IMPORTANT INFORMATION

3. PAY PARTICULAR ATTENTION TO HARDWARE REQUIREMENTS BEFORE PREPARING THE DOOR.
4. DIMENSIONS GIVEN IN INCHES AND (mm).
5. RECOMMENDED DEVICE CENTER LINE IS 40" ABOVE FINISHED FLOOR.



TOP AT STRIKE LOCATION



SIDE AT STRIKE LOCATION

RESPONSIBILITY

Door and Frame Manufacturers are responsible for providing adequate construction or reinforcements for proper installation of hardware shown. All architectural builders hardware must be installed on properly reinforced doors and frames regardless of the type, material or method of construction.

**MASTER REINFORCING SHEET
FOR ALUMINUM DOORS**

FOR MODELS _____



DO NOT SCALE DRAWING

DATE

4-16-09

TEMPLATE NUMBER

T 3000