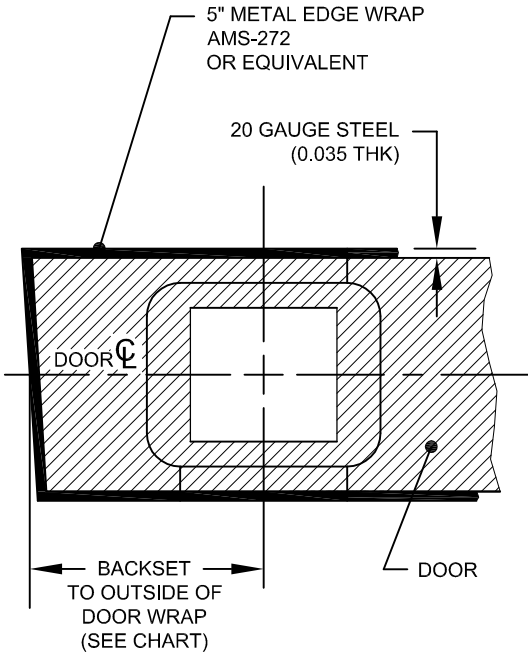


**NOTES:**

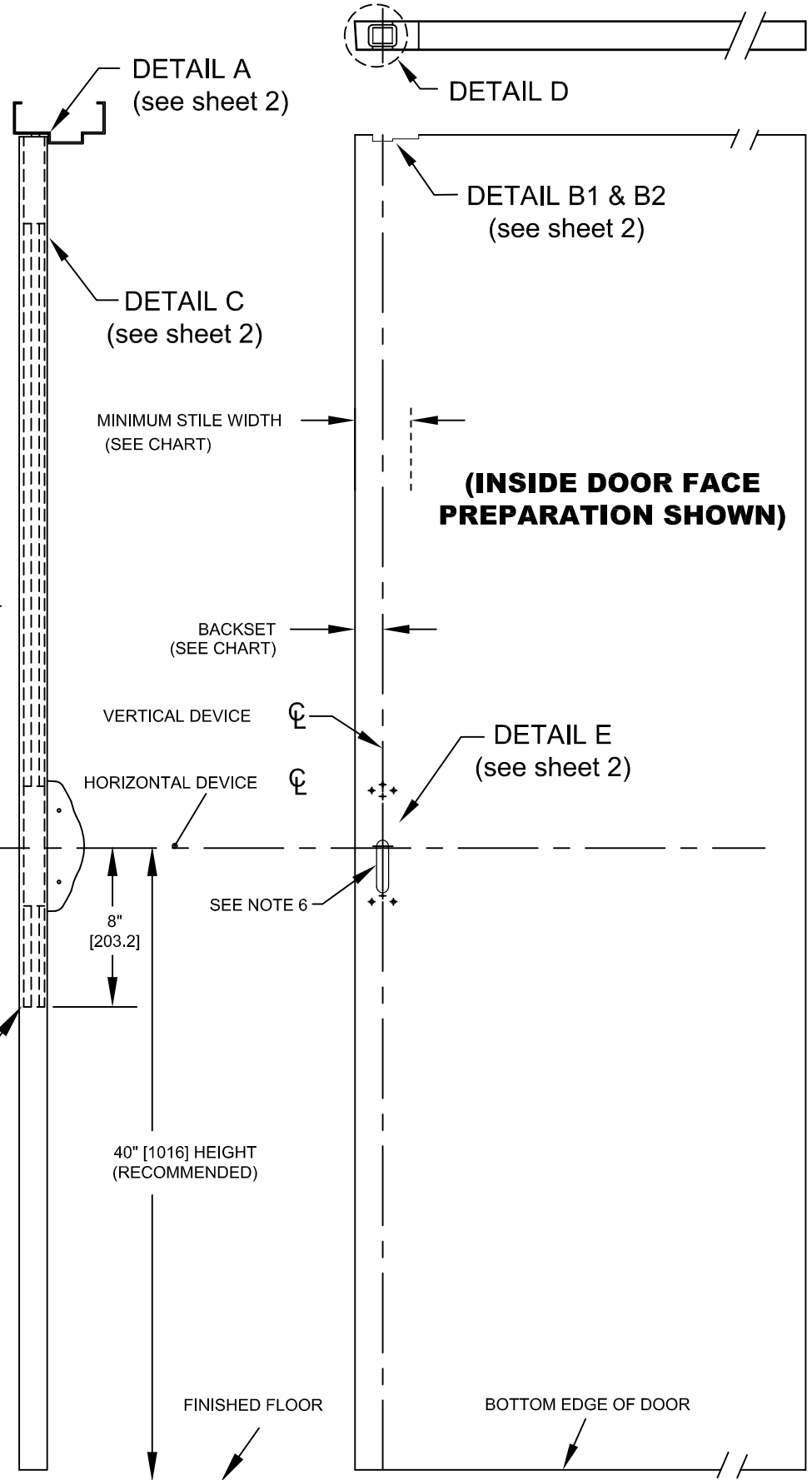
1. DO NOT SCALE DRAWING.
2. DIMENSIONS ARE IN INCHES [mm].
3. LHR DOOR SHOWN.
4. MINIMUM STILE WIDTH: SEE CHART.
5. IF REQUIRED: THRU-BOLT HOLE SIZE  
9/32" INTERIOR DOOR FACE  
3/8" EXTERIOR DOOR FACE
6. IF OUTSIDE TRIM IS REQUIRED, REFER TO OUTSIDE TRIM TEMPLATE.
7. INSTALL FIRE BOLT ON FIRE RATED DOORS ONLY (PREFIX F). THE FIRE BOLT HOLES MUST BE ALIGNED WITH EACH OTHER.



**DETAIL D**  
TOP OF DOOR

BACKSET	MINIMUM STILE
2-1/4" (57.2)	4-1/2" (114)

MECHANISM CLEARANCE FROM HERE TO DOOR TOP SEE DETAIL C (SHEET 2)



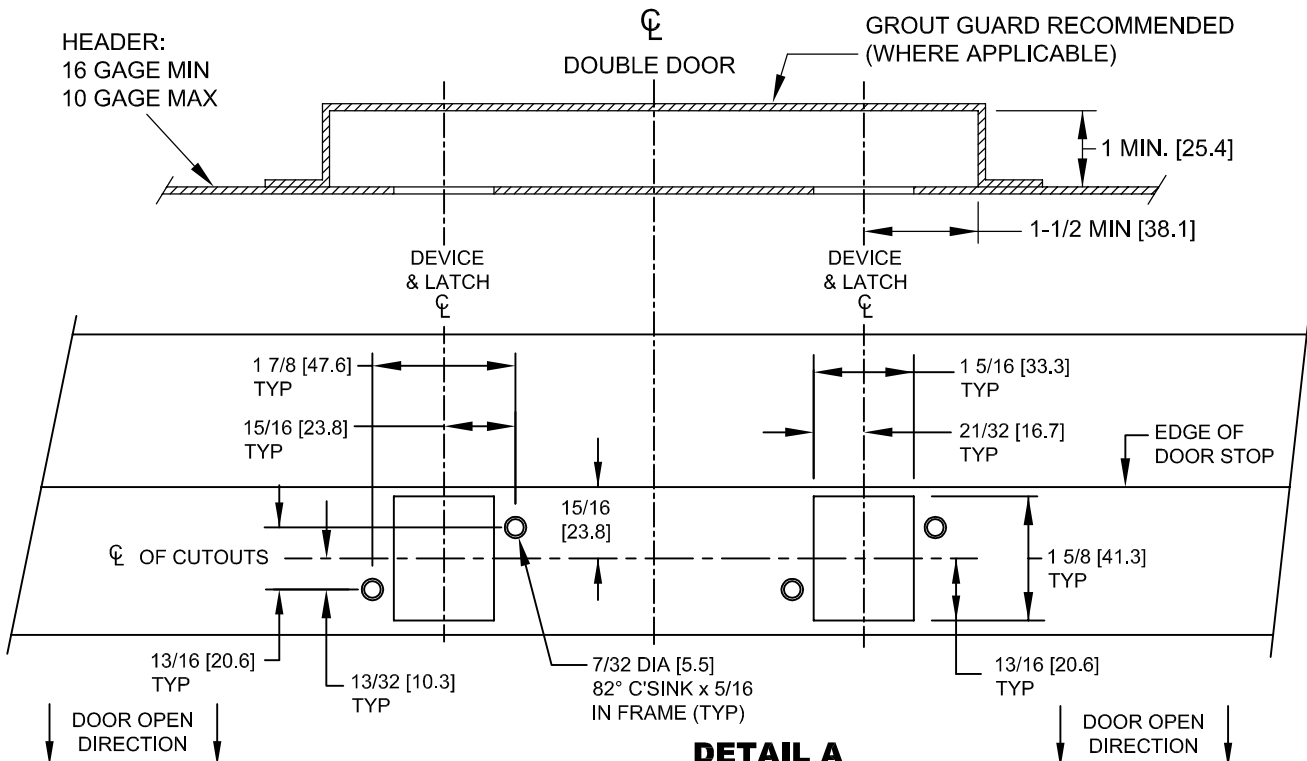
**RESPONSIBILITY**

Door and Frame Manufacturers are responsible for providing adequate construction or reinforcements for proper installation of hardware shown. All architectural builders hardware must be installed on properly reinforced doors and frames regardless of the type, material or method of construction.

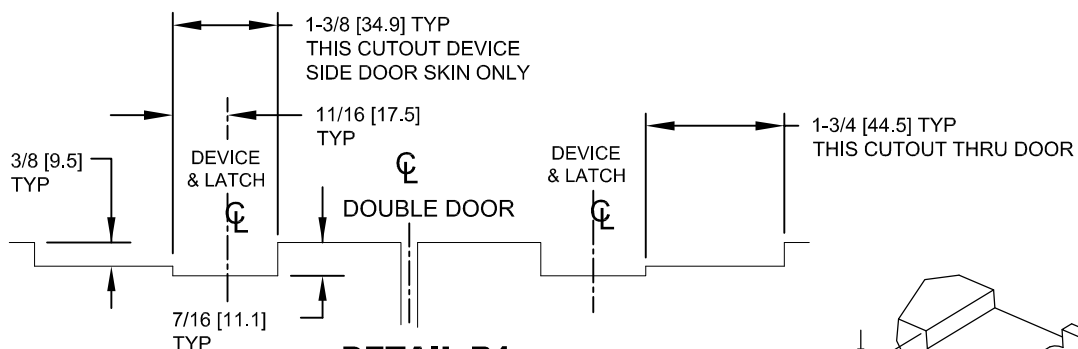
**TEMPLATE  
WOOD DOOR  
F71 WITH EDGE WRAP  
CONCEALED VERTICAL ROD EXIT  
DEVICE**



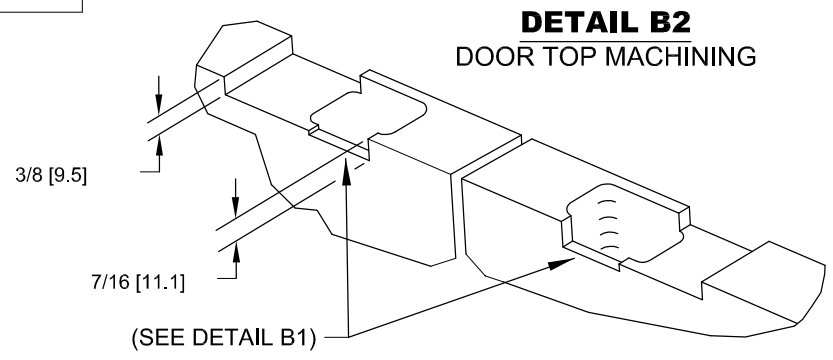
DO NOT SCALE DRAWING



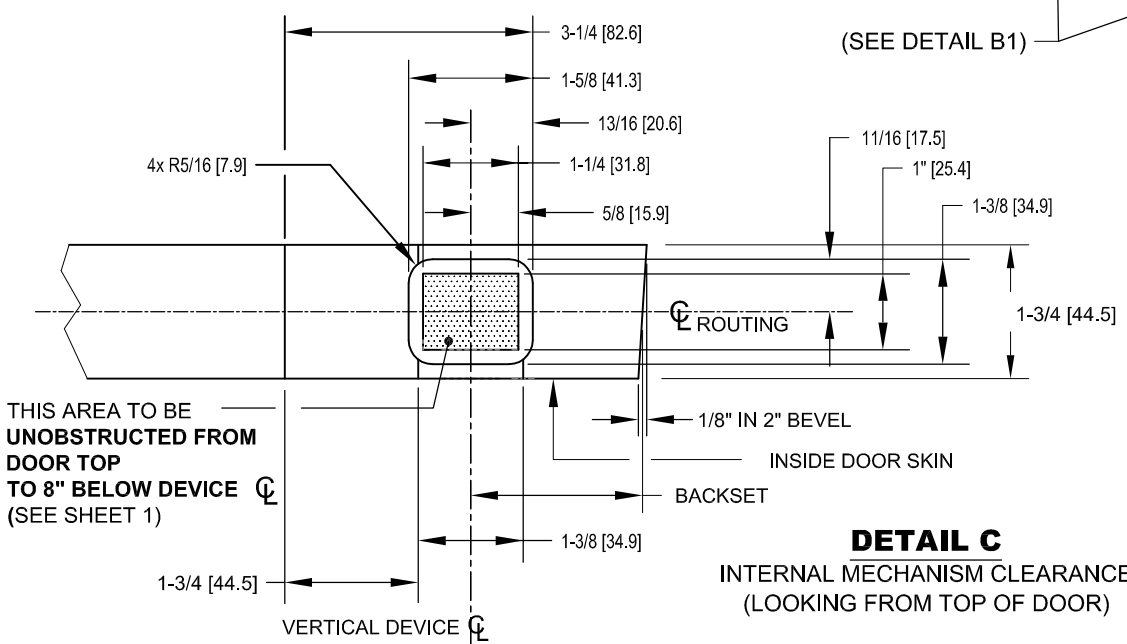
**DETAIL A**  
TOP FRAME STRIKE PREP  
LOOKING UP AT HEADER



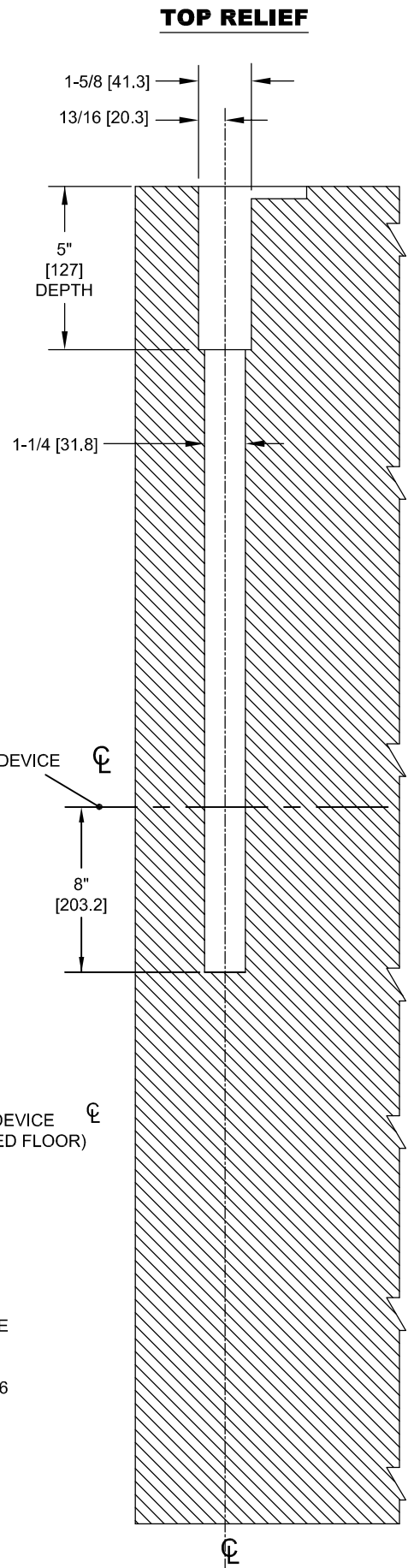
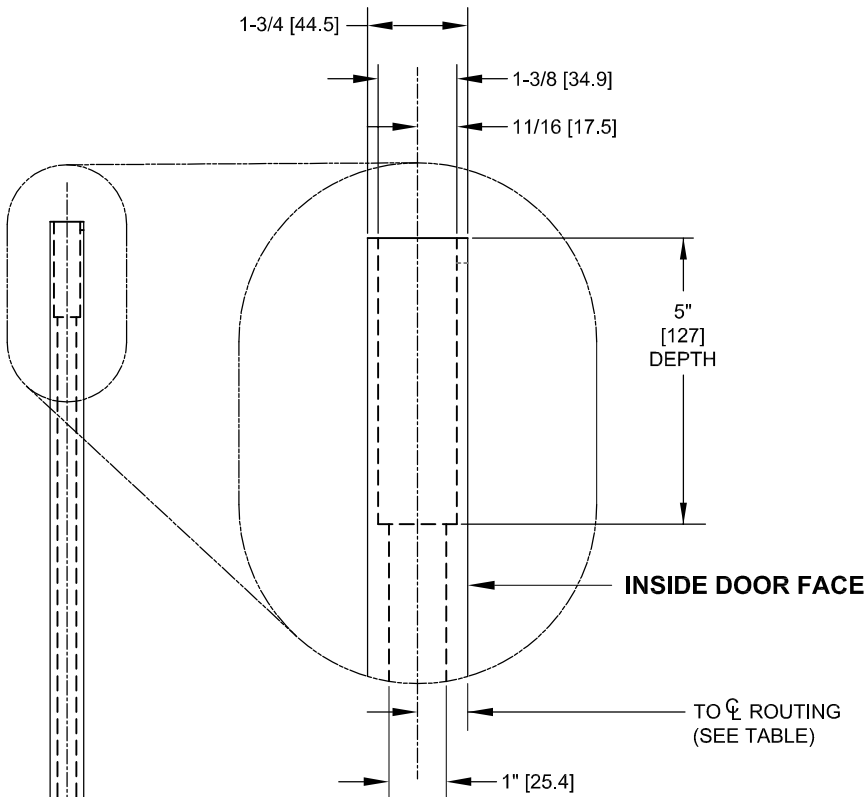
**DETAIL B1**  
DOOR DEVICE SIDE  
TOP MACHINING



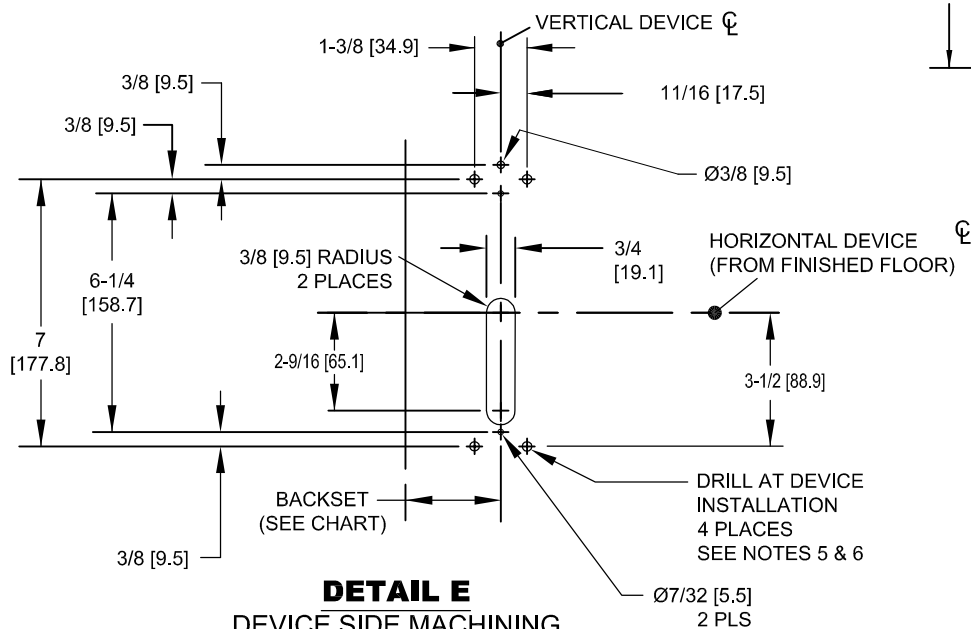
**DETAIL B2**  
DOOR TOP MACHINING



**DETAIL C**  
INTERNAL MECHANISM CLEARANCE  
(LOOKING FROM TOP OF DOOR)



DOOR THICKNESS	CL ROUTING
1-3/4 [44.5]	7/8 [22.2]
2" [50.8] OR MORE	1" [25.4]



**DETAIL E**  
DEVICE SIDE MACHINING  
(INSIDE DOOR FACE ONLY)