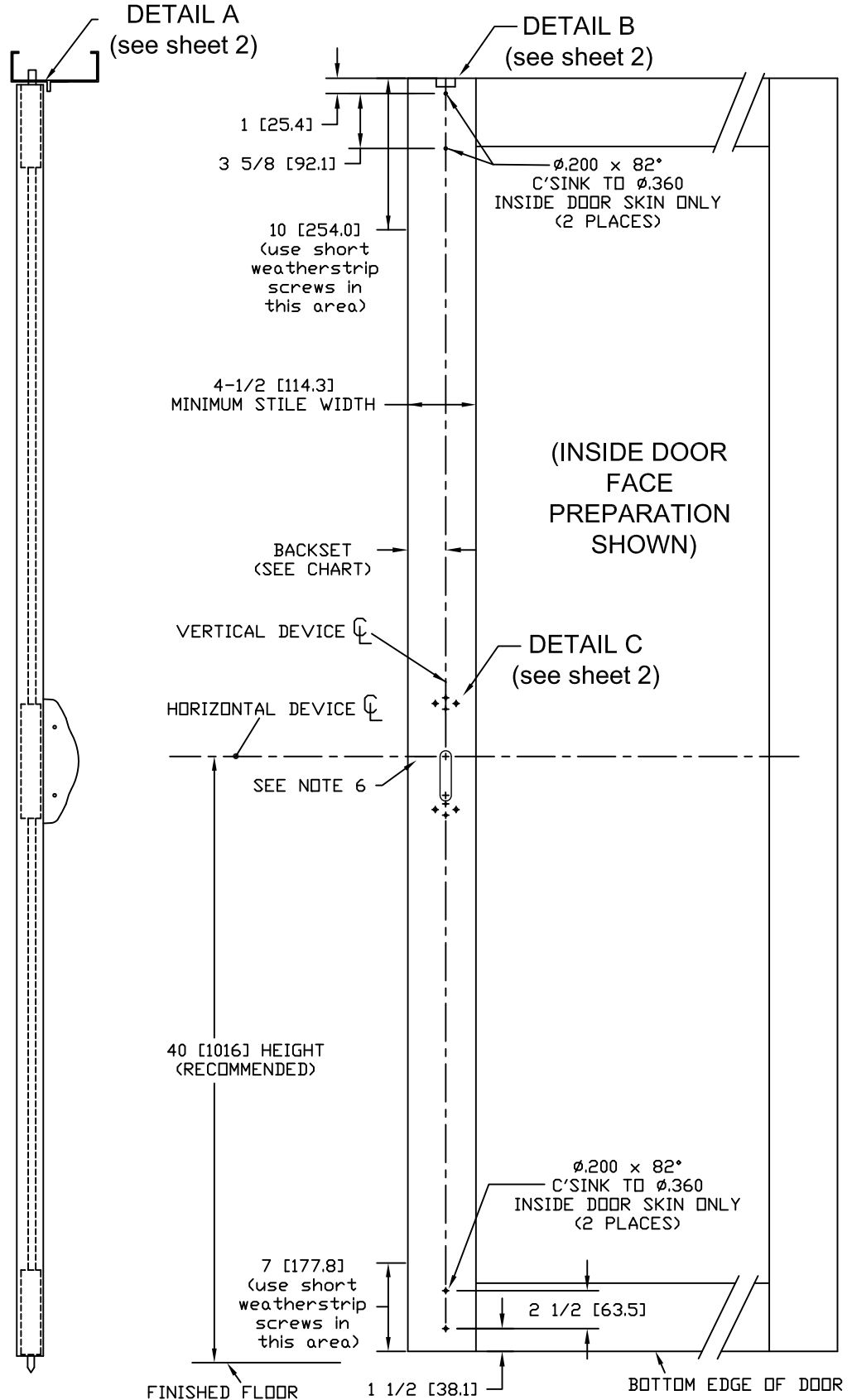


- NOTES:
1. DO NOT SCALE DRAWING.
 2. DIMENSIONS ARE IN INCHES [mm].
 3. LHR DOOR SHOWN.
 4. MINIMUM STILE WIDTH: SEE CHART.
 5. IF REQUIRED: THRU-BOLT HOLE SIZE
9/32" INTERIOR DOOR FACE
3/8" EXTERIOR DOOR FACE
 6. IF OUTSIDE TRIM IS REQUIRED, REFER TO OUTSIDE TRIM TEMPLATE.

STILE WIDTH	BACKSET
4-1/2" (min) [114.3]	2-1/2" [63.5]



HDG. _____ DR. _____ SHEET 1 OF 2

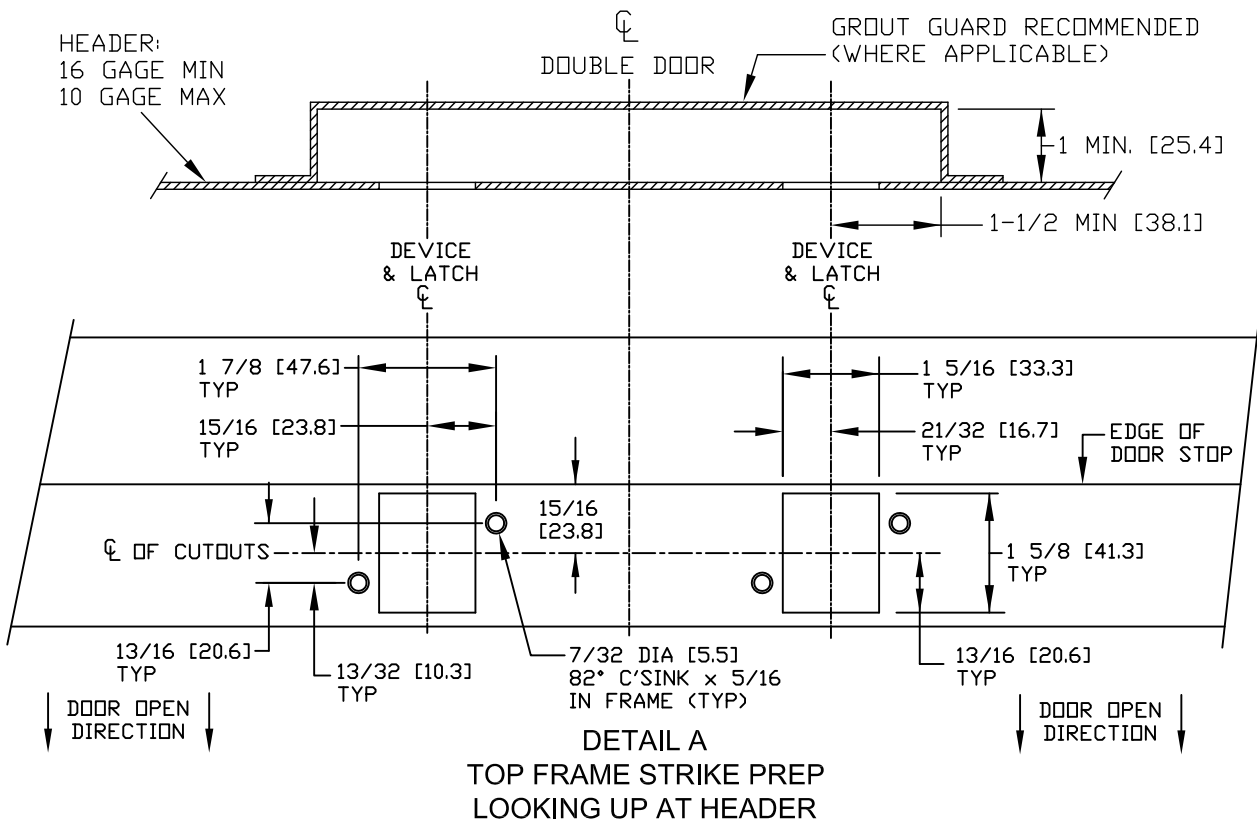
RESPONSIBILITY
Door and Frame Manufacturers are responsible for providing adequate construction or reinforcements for proper installation of hardware shown. All architectural builders hardware must be installed on properly reinforced doors and frames regardless of the type, material or method of construction.

TEMPLATE
ALUMINUM DOOR
82 / F82
CONCEALED VERTICAL ROD
EXIT DEVICE

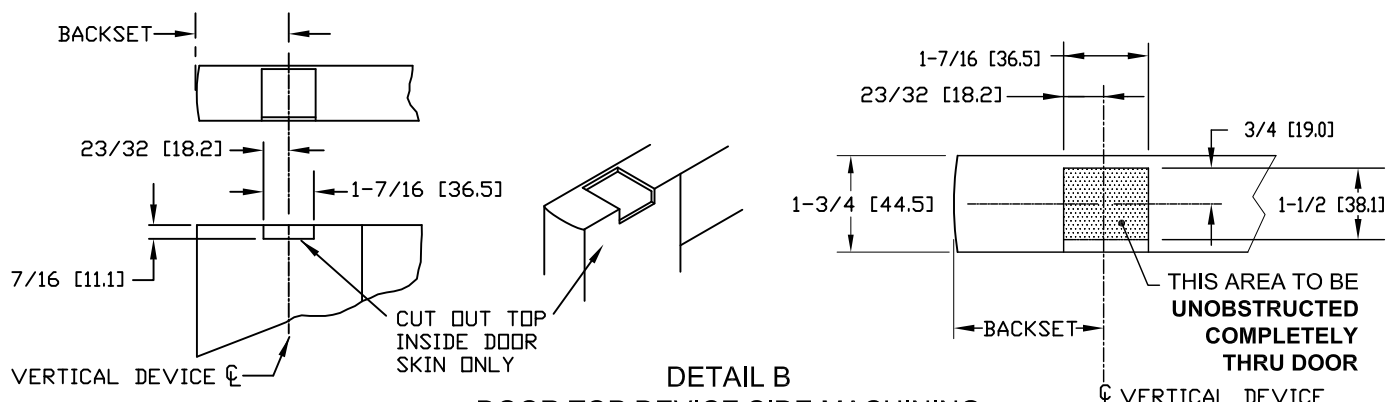
DETEx[®]

DO NOT SCALE DRAWING

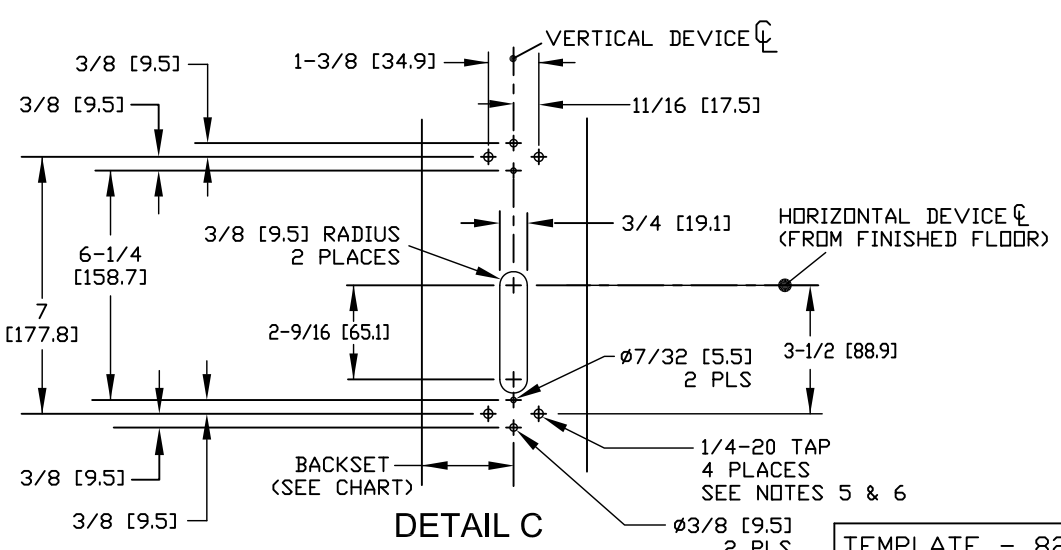
DATE 6-16-11 TEMPLATE NUMBER T2312



DETAIL A
TOP FRAME STRIKE PREP
LOOKING UP AT HEADER



DETAIL B
DOOR TOP DEVICE SIDE MACHINING
& INTERNAL MECHANISM CLEARANCE



DETAIL C
DEVICE SIDE MACHINING
(INSIDE DOOR FACE ONLY)

TEMPLATE - 82 / F82 DEVICE		
SHEET 2 OF 2		
DATE	6-16-11	TEMPLATE NUMBER
		T2312