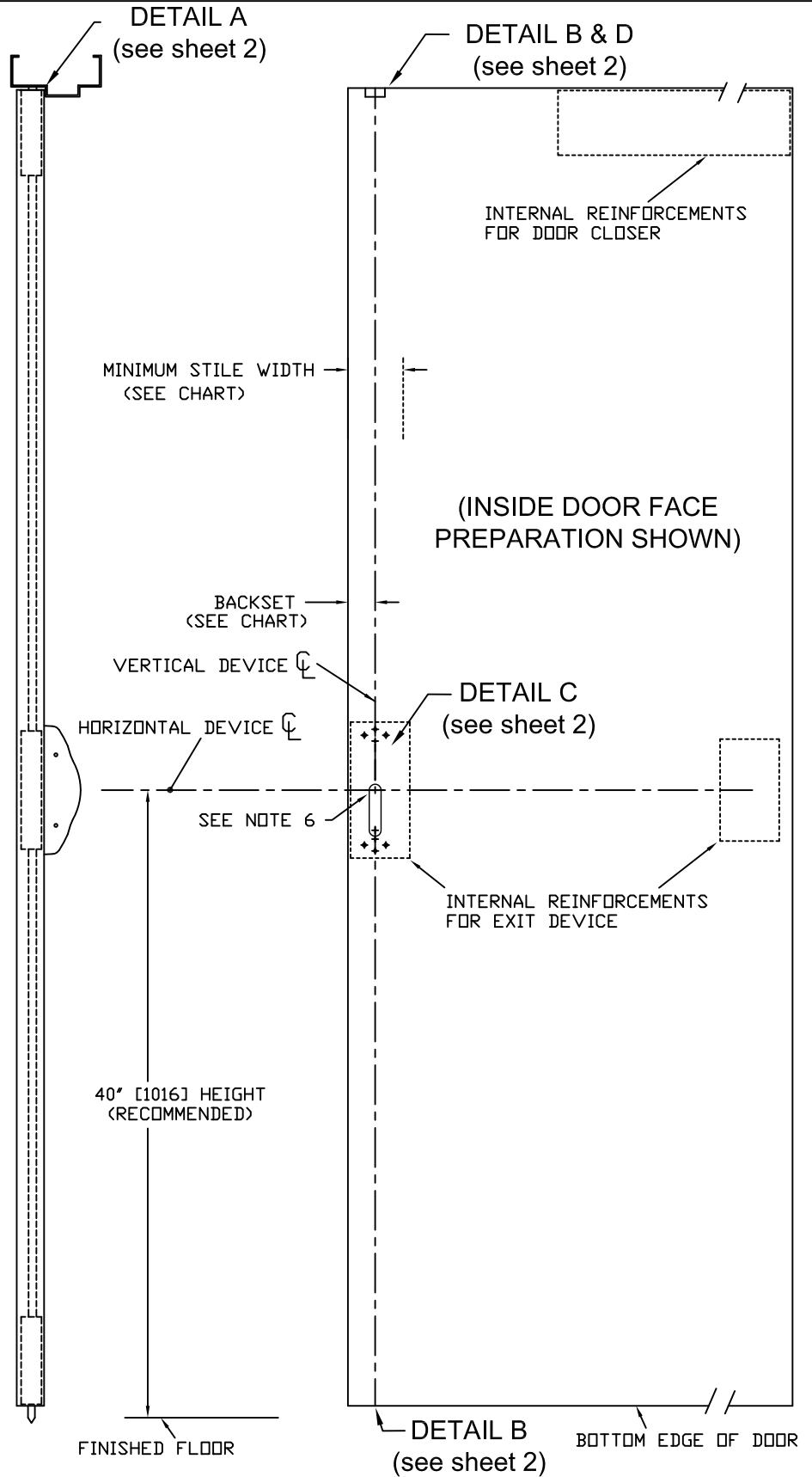


NOTES:

1. DO NOT SCALE DRAWING.
2. DIMENSIONS ARE IN INCHES [mm].
3. LHR DOOR SHOWN.
4. MINIMUM STILE WIDTH: SEE CHART.
5. IF REQUIRED: THRU-BOLT HOLE SIZE
 9/32" INTERIOR DOOR FACE
 3/8" EXTERIOR DOOR FACE
6. IF OUTSIDE TRIM IS REQUIRED, REFER TO OUTSIDE TRIM TEMPLATE.

BACKSET	MINIMUM STILE
2-3/4" (69.9)	4-1/2" (114)



HDG. _____ DR. _____ SHEET 1 OF 2

RESPONSIBILITY

Door and Frame Manufacturers are responsible for providing adequate construction or reinforcements for proper installation of hardware shown. All architectural builders hardware must be installed on properly reinforced doors and frames regardless of the type, material or method of construction.

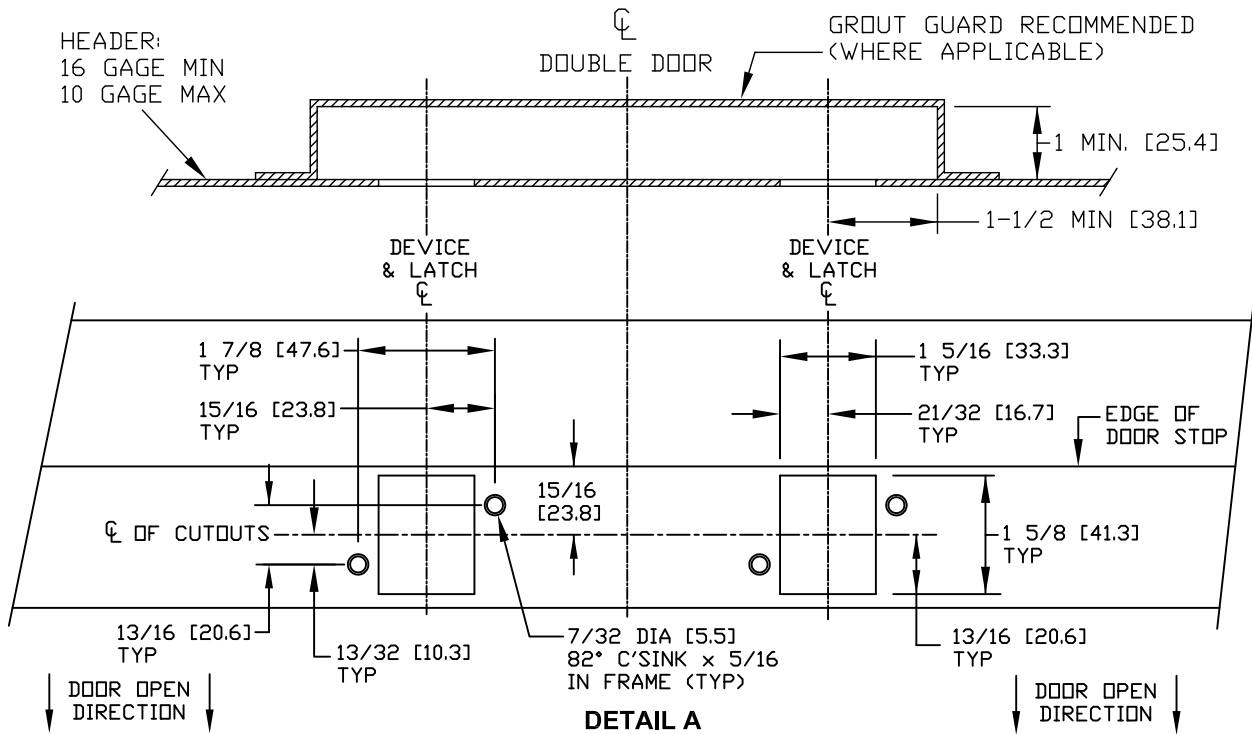
TEMPLATE
 HOLLOW METAL DOOR
 F80
 CONCEALED VERTICAL ROD
 EXIT DEVICE



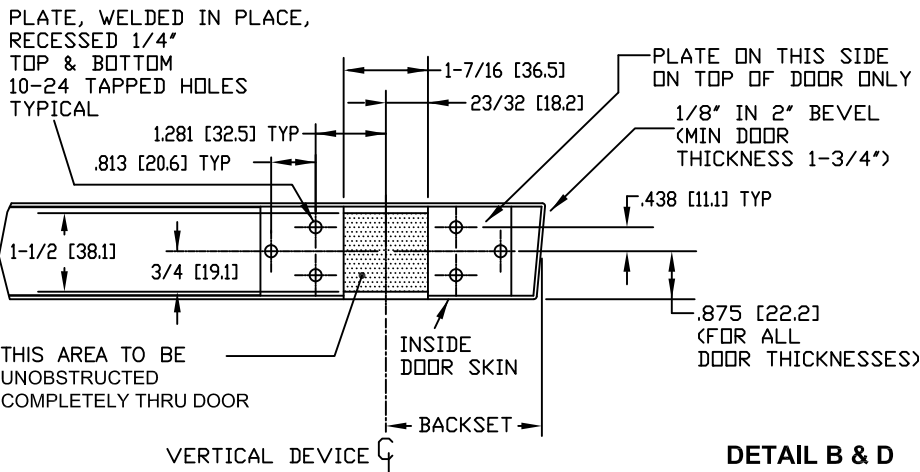
DO NOT SCALE DRAWING

DATE 6-16-11

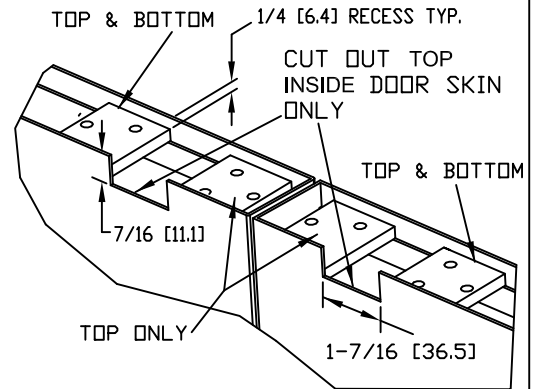
TEMPLATE NUMBER T2308



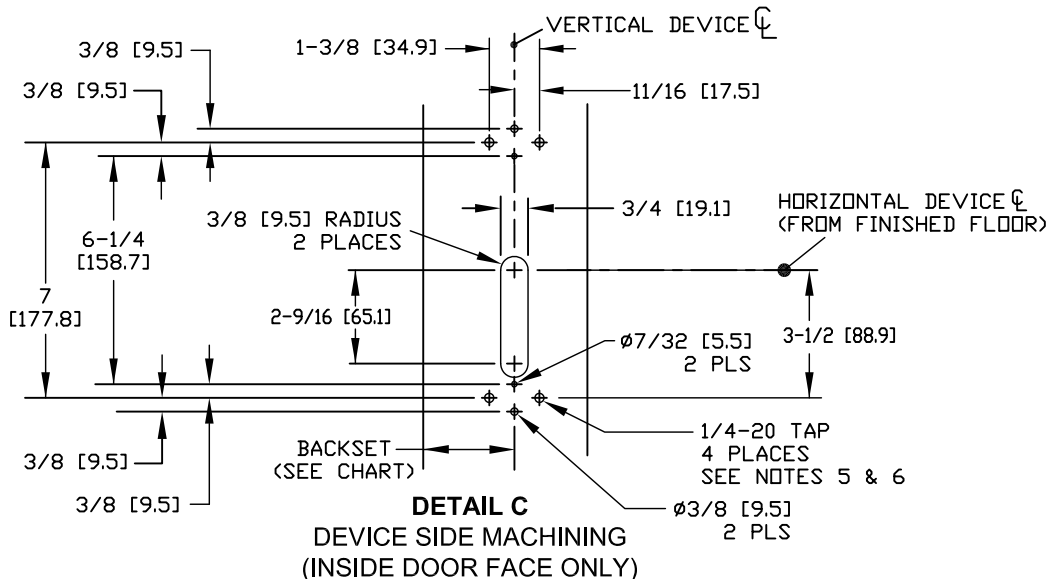
DETAIL A
TOP FRAME STRIKE PREP
LOOKING UP AT HEADER



DETAIL B
LATCH MOUNTING
TOP & BOTTOM



DETAIL D
DOOR TOP MACHINING



DETAIL C
DEVICE SIDE MACHINING
(INSIDE DOOR FACE ONLY)