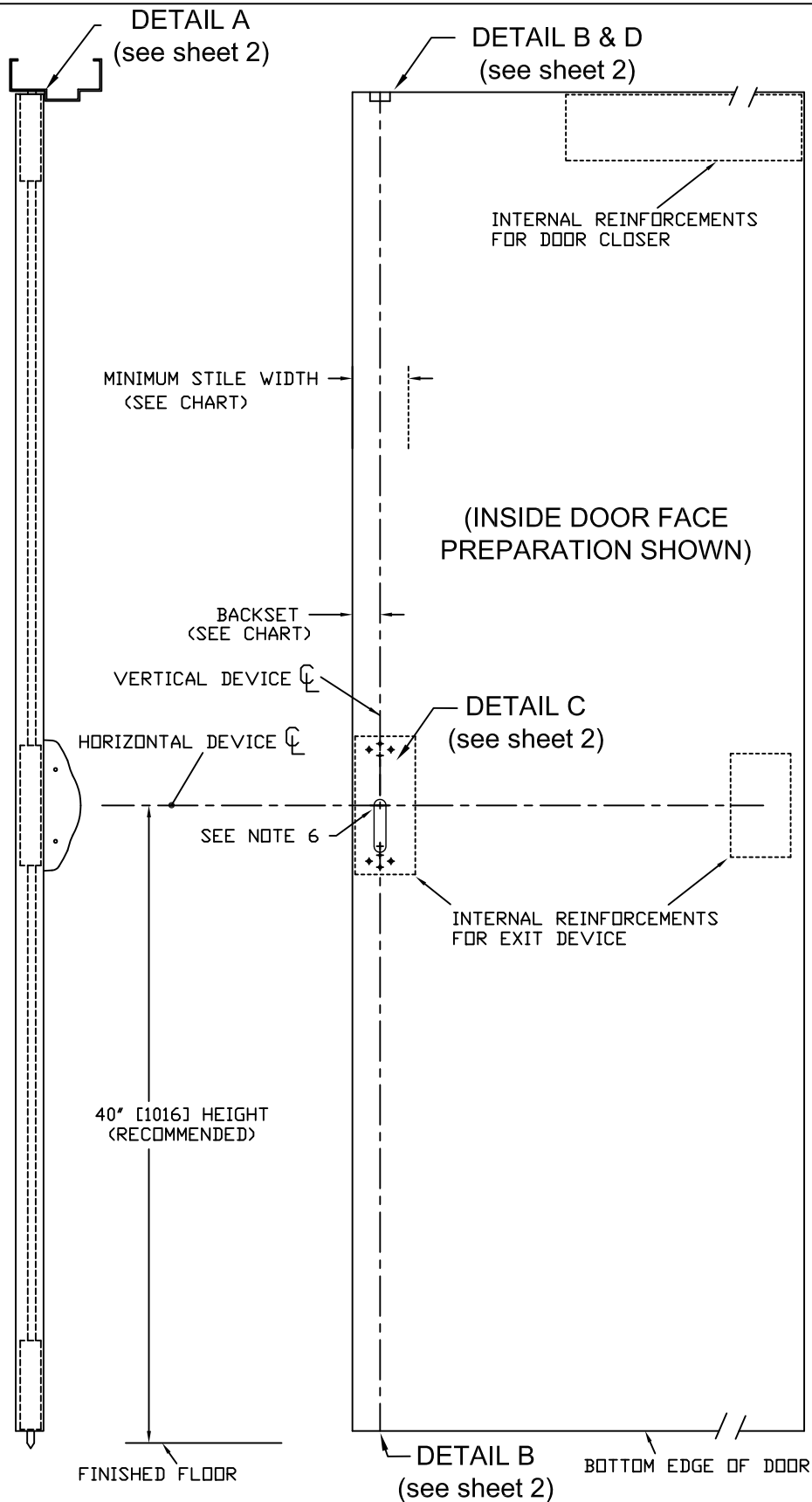


NOTES:

1. DO NOT SCALE DRAWING.
2. DIMENSIONS ARE IN INCHES [mm].
3. LHR DOOR SHOWN.
4. MINIMUM STILE WIDTH: SEE CHART.
5. IF REQUIRED: THRU-BOLT HOLE SIZE  
9/32" INTERIOR DOOR FACE  
3/8" EXTERIOR DOOR FACE
6. IF OUTSIDE TRIM IS REQUIRED, REFER TO OUTSIDE TRIM TEMPLATE.

BACKSET	MINIMUM STILE
2-3/4" (69.9)	4-1/2" (114)



HDG. \_\_\_\_\_ DR. \_\_\_\_\_ SHEET 1 OF 2

RESPONSIBILITY

Door and Frame Manufacturers are responsible for providing adequate construction or reinforcements for proper installation of hardware shown. All architectural builders hardware must be installed on properly reinforced doors and frames regardless of the type, material or method of construction.

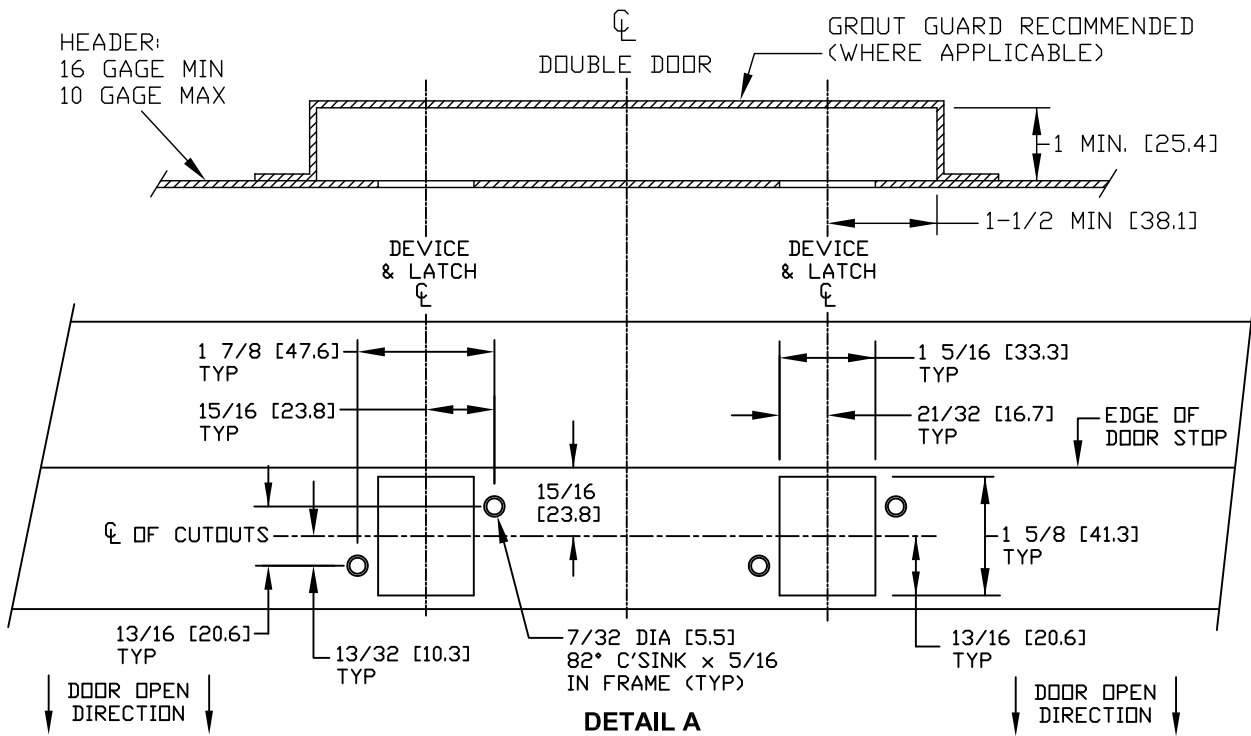
TEMPLATE  
HOLLOW METAL DOOR  
80  
CONCEALED VERTICAL ROD  
EXIT DEVICE

**DETEx**<sup>®</sup>

DO NOT SCALE DRAWING

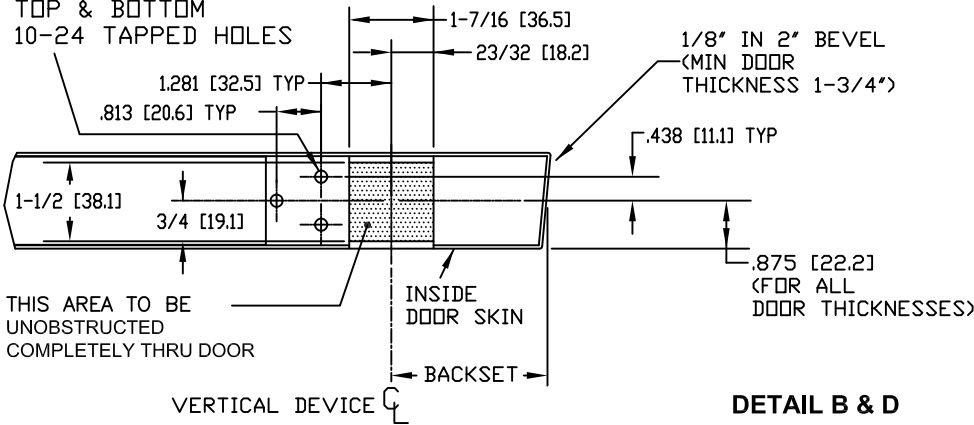
DATE 6-16-11

TEMPLATE NUMBER T2306



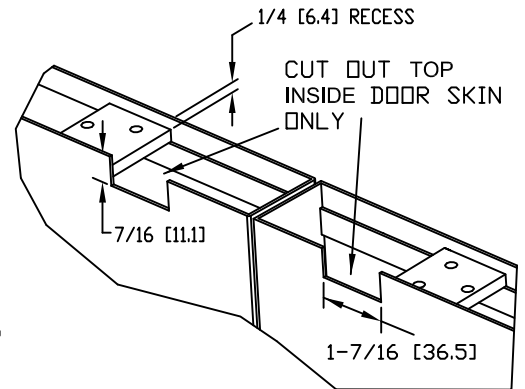
**DETAIL A**  
TOP FRAME STRIKE PREP  
LOOKING UP AT HEADER

PLATE, WELDED IN PLACE,  
RECESSED 1/4"  
TOP & BOTTOM  
10-24 TAPPED HOLES

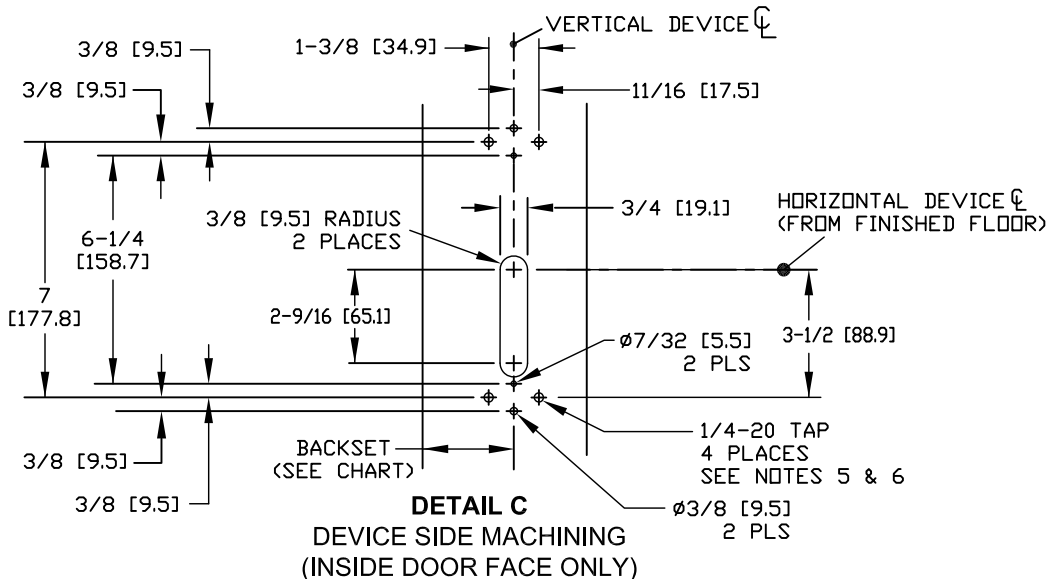


**DETAIL B**  
LATCH MOUNTING  
TOP & BOTTOM

**DETAIL B & D**  
LATCH & DOOR TOP MACHINING  
& INTERNAL MECHANISM CLEARANCE



**DETAIL D**  
DOOR TOP MACHINING



**DETAIL C**  
DEVICE SIDE MACHINING  
(INSIDE DOOR FACE ONLY)