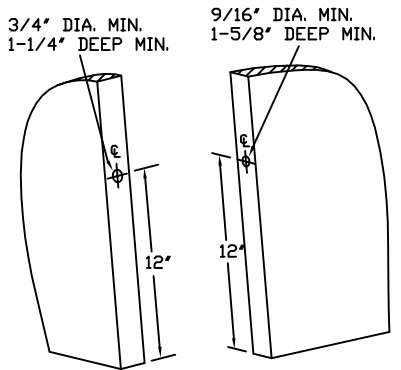


96 TOP STRIKE

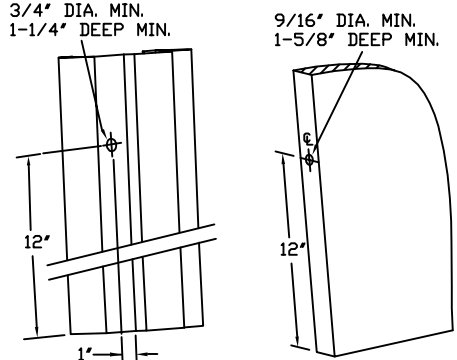
- NOTES:
1. DO NOT SCALE DRAWING.
  2. DIMENSIONS ARE IN INCHES [mm].
  3. LHR DOOR SHOWN.
  4. MINIMUM STILE WIDTH: SEE CHART.
  5. IF REQUIRED: THRU-BOLT HOLE SIZE  
9/32" INTERIOR DOOR FACE  
3/8" EXTERIOR DOOR FACE.
  6. IF OUTSIDE TRIM IS REQUIRED, REFER TO OUTSIDE TRIM TEMPLATE.
  7. INSTALL POPPER ON FIRE RATED DOORS ONLY (PREFIX F). THE POPPER HOLES MUST BE ALIGNED WITH EACH OTHER.

| MINIMUM STILE WIDTH | DEVICE TYPE | BACKSET      |
|---------------------|-------------|--------------|
| 3-1/2 (90)          | STANDARD    | 2-1/4 (39.7) |
| 2 (50.8)            | NSK         | 1-1/8 (28.6) |

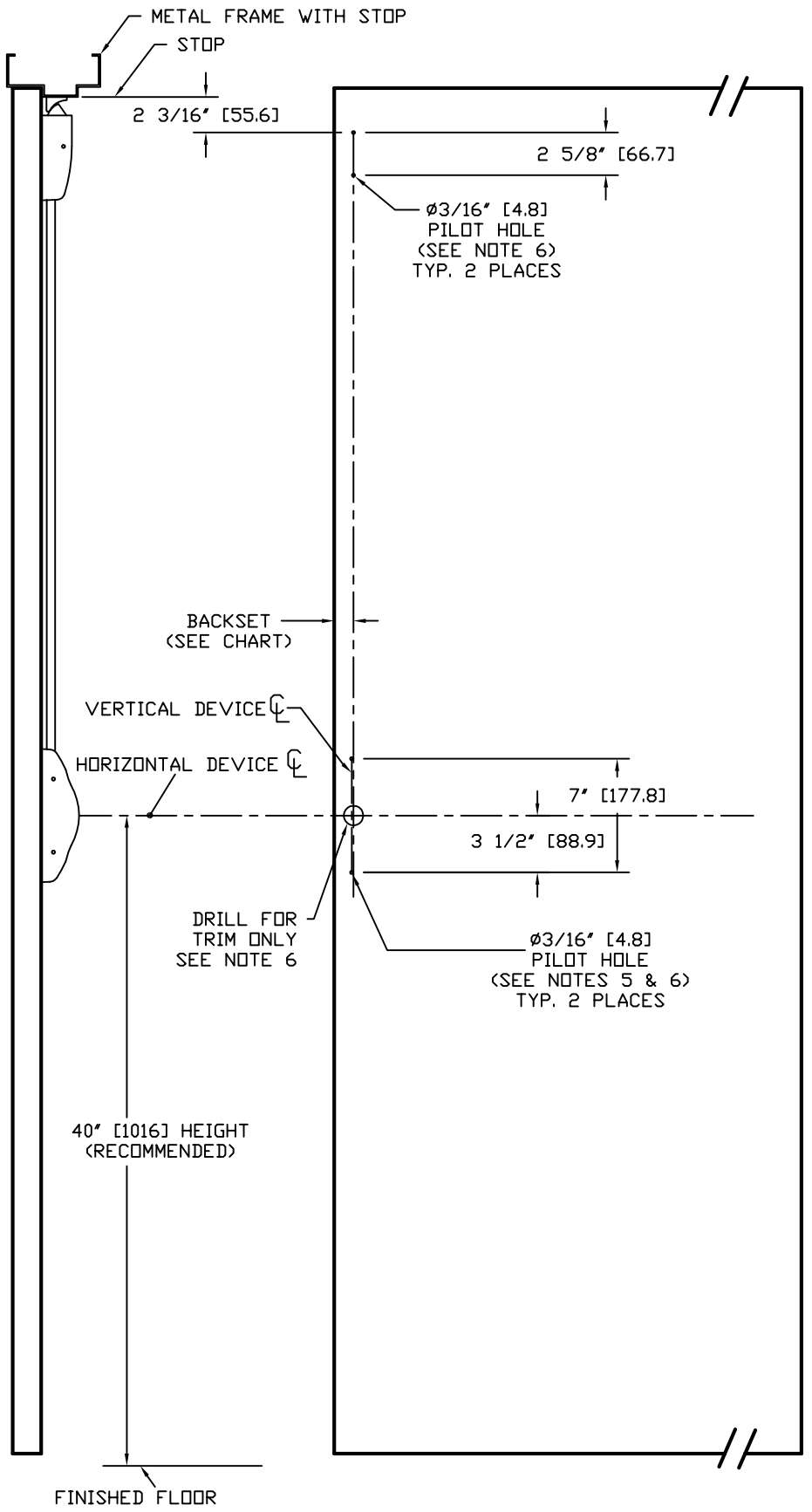
NOTE: FOR ALUMINUM DOOR, SEE TEMPLATE T2104  
FOR WOOD DOOR, SEE TEMPLATE T2103



FIRE RATED DOUBLE DOORS APP.  
SEE NOTE 7



FIRE RATED SINGLE DOOR APP.  
SEE NOTE 7



HDG. \_\_\_\_\_ DR. \_\_\_\_\_

**RESPONSIBILITY**  
Door and Frame Manufacturers are responsible for providing adequate construction or reinforcements for proper installation of hardware shown. All architectural builders hardware must be installed on properly reinforced doors and frames regardless of the type, material or method of construction.

TEMPLATE  
WOOD DOOR  
V51 & VF51 SERIES  
TOP ROD ONLY EXIT DEVICE  
BP-2 MOUNTING PLATE

**DETEX CORPORATION**  
DO NOT SCALE DRAWING  
DATE 4-16-09 TEMPLATE NUMBER T2105