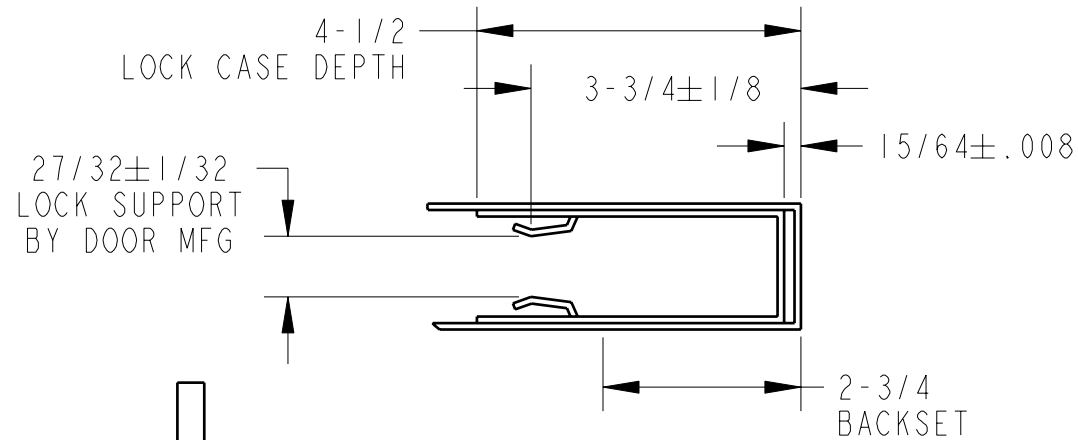
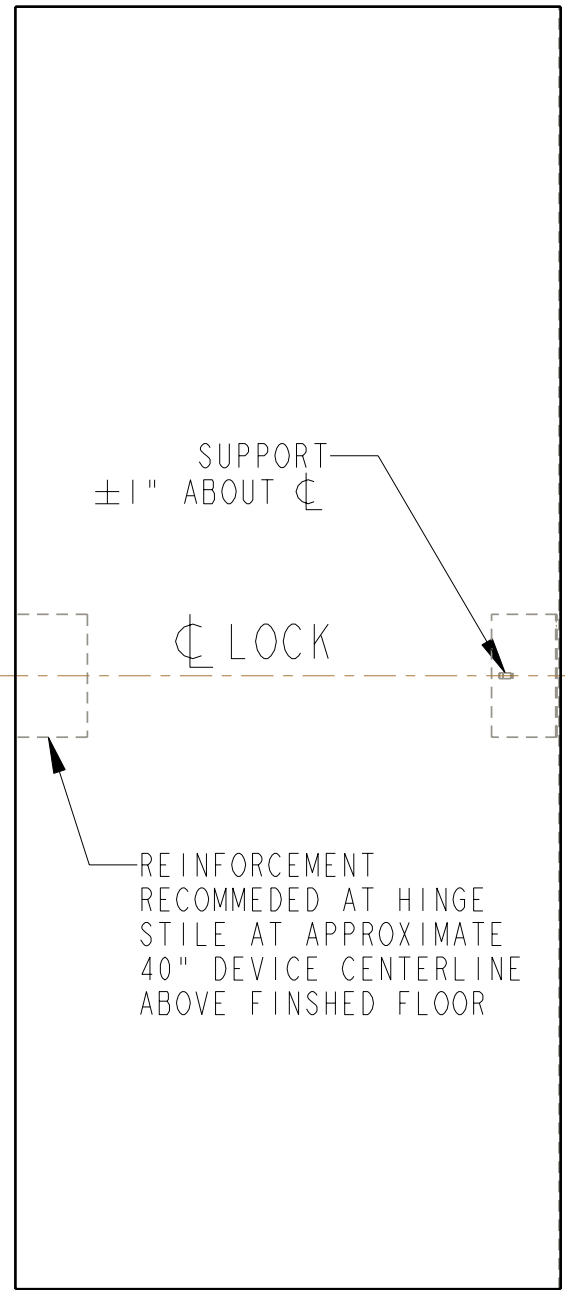
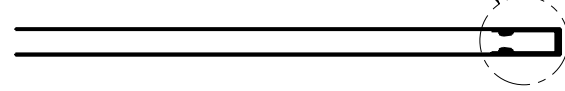
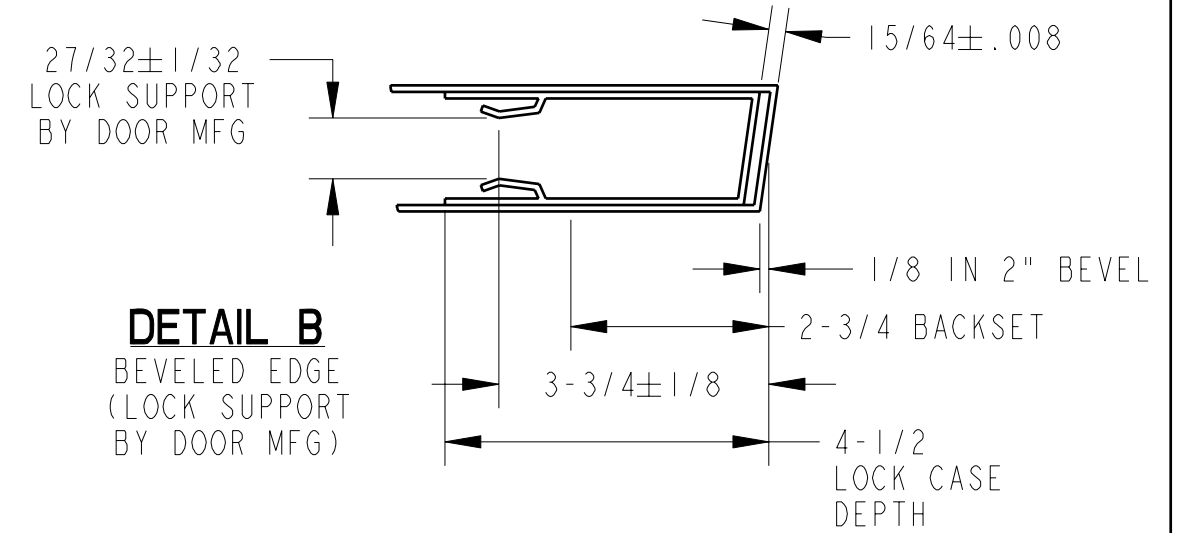


SEE
DETAIL A & B

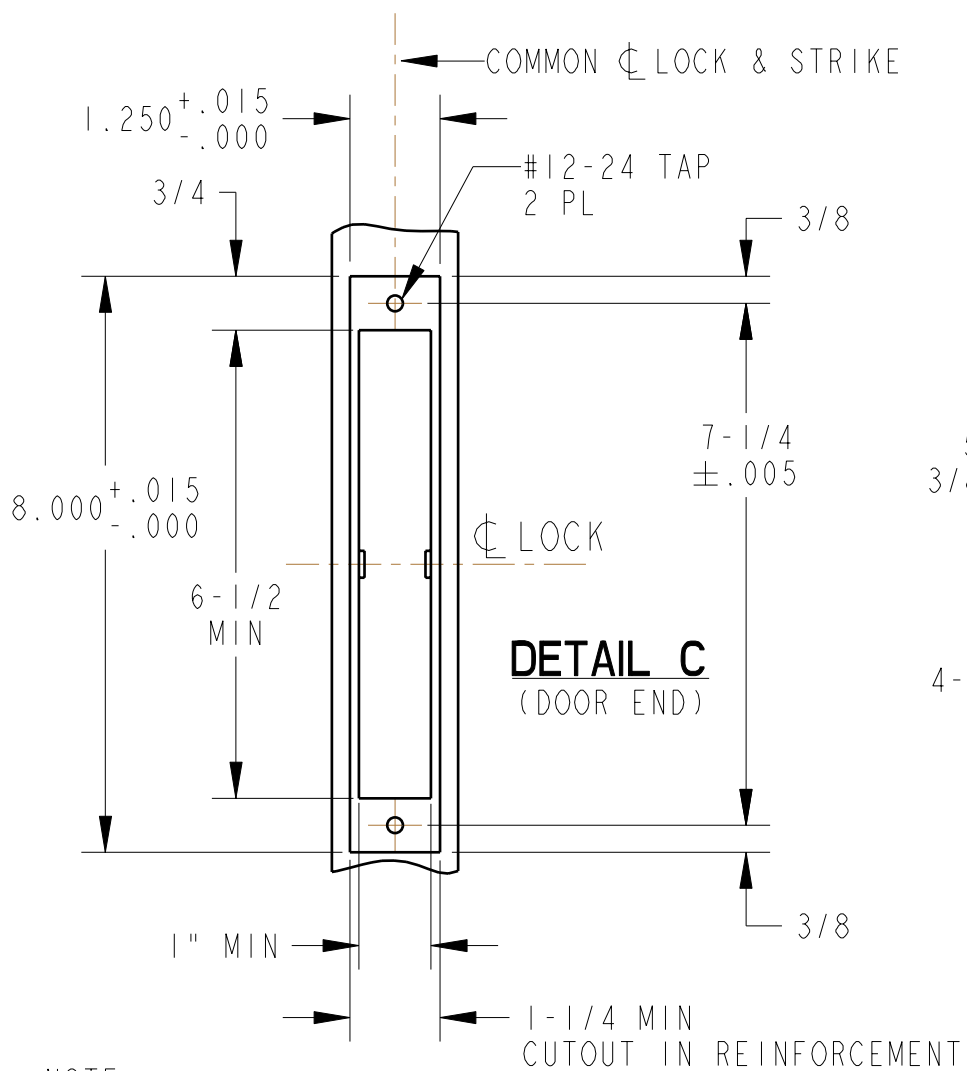
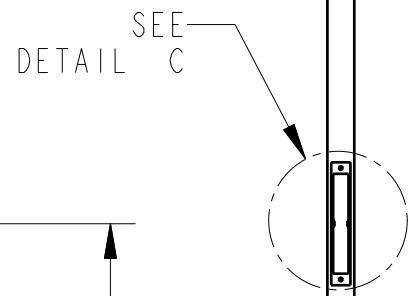
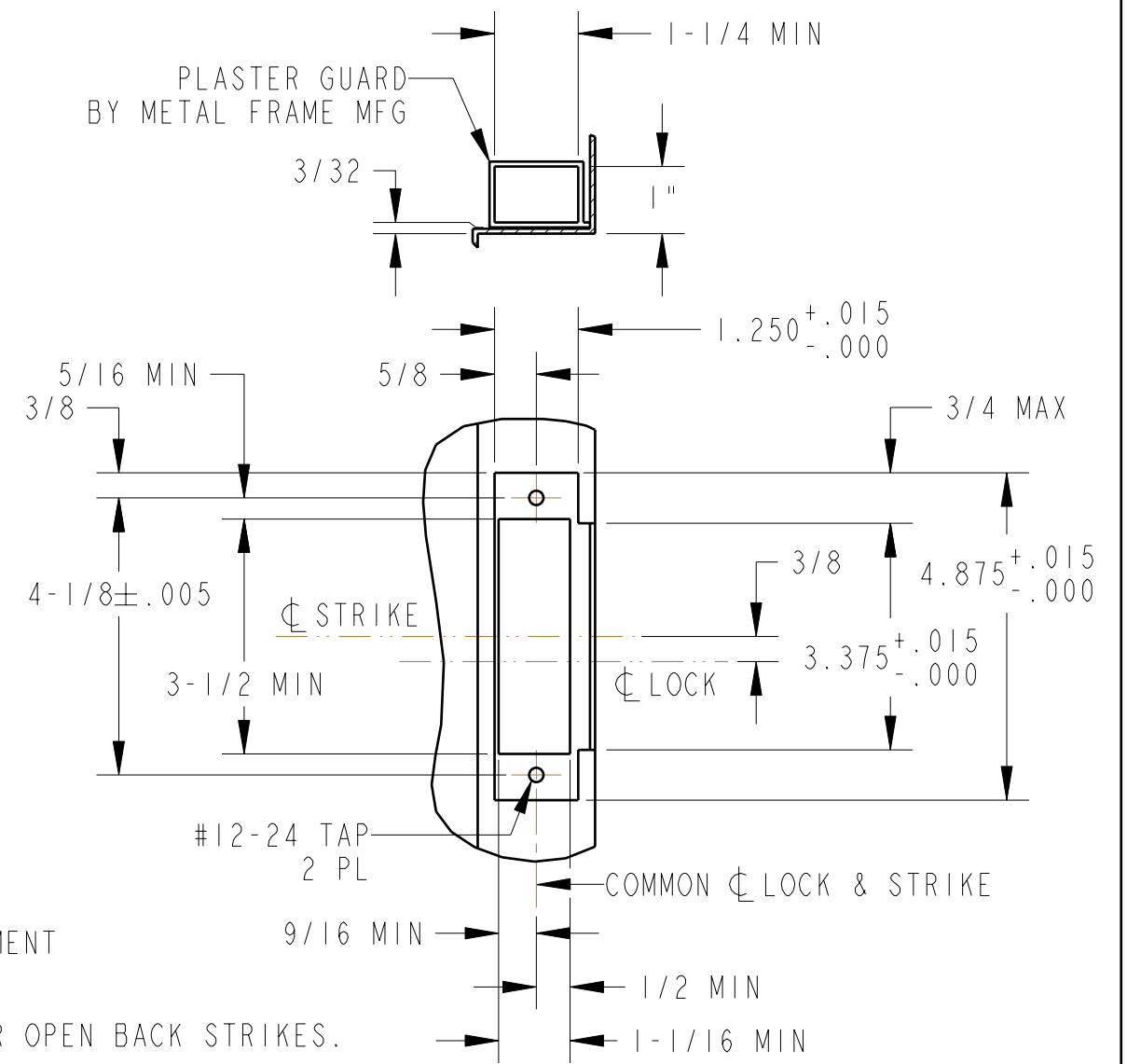


DETAIL A
UNIVERSAL OR SQUARE EDGE
(LOCK SUPPORT BY DOOR MFG)



DETAIL B
BEVELED EDGE
(LOCK SUPPORT BY DOOR MFG)

METAL FRAME DIMENSIONS - 90 STRIKE



NOTE:
1. TOLERANCES SHOWN ARE FOR CUTOUTS.
2. SEE T2003, T2004, OR T2005 FOR DOUBLE DOOR OPEN BACK STRIKES.

RESPONSIBILITY
Door and Frame Manufacturers are responsible for providing adequate construction or reinforcements for proper installation of hardware shown. All architectural builders hardware must be installed on properly reinforced doors and frames regardless of the type, material, or method of construction.

**METAL DOOR & FRAME PREPARATION FOR MORTISE DOOR LOCKS
IN 1-3/4" DOORS**
(CONFORMS TO ANSI A115.1)



SCALE: NTS

DATE: 8/29/06

TEMPLATE NO: T2000