

Accessories

Slide-In Filler Kits

Slide-In Filler Kits allow change or addition to the device after initial installation. Specify device series (10, 20, 21, 30, 40, 50, 51, 60, 61, 62, 63, 70, 71, 80, 81, 82, or 83), size (36" or 48") and finish (605, 606, 611, 612, 613, 628, 629, 630, 693 or 695).

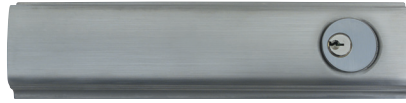
Example: 10x36x630



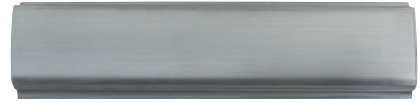
SIF-EA Exit Alarm - Slide-In Filler Kit provides 100 plus decibel directional piezo alarm with remote signal relay, remote bypass relay, and LED display. Optional Cylinder Dogging for non-fire rated devices. 9 volt DC and 12/24 volt AC/DC operation. Options include Key Stop feature that allows key to be removed only if unit is armed and factory installed cylinder housing for 7-pin IC cylinders.. Requires mortise cylinder with standard Yale cam **(sold separate)**



SIF-HD - Hex Key Dogging Slide-In Filler Kit includes dogging key with over-molded ergonomic grip



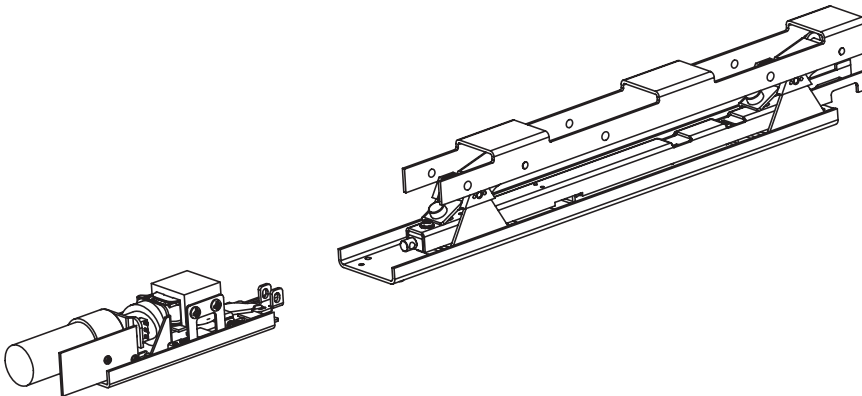
SIF-CD - Cylinder Dogging Slide-In Filler Kit requires mortise cylinder with standard Yale cam (sold separate). Optional factory installed cylinder housing for 7-pin IC cylinders.



SIF-LD - Less Dogging Slide-In Filler Kit's smooth plate eliminates dogging feature. Mandatory for all fire rated models.

ER Retrofit Kit

Converts any Advantex 10, 20, 21, 30, 40, 50 and 51 Series exit device from a simple mechanical device to the ER Electric Latch Retraction Device. The retrofit kit consists of the pushpad assembly, the ER module assembly, required hardware and complete instruction for conversions in the field. Specify 36" or 48". Requires power supply, sold separate. Call factory for more information.



Where Trust is Built™
DETEx®
Life Safety and Security Door Hardware

Detex Corporation
302 Detex Drive
New Braunfels, Texas 78130-3045 USA
PH. (830) 629-2900
(800) 729-3839
FAX (830) 620-6711
(800) 653-3839
<http://www.detex.com>
USA Sales:
marketing@detex.com
International Sales:
export@detex.com