

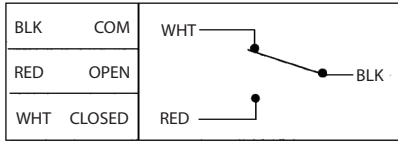
INSTALLATION INSTRUCTIONS FOR MAGNETIC SWITCH MS-2049S, SURFACE MOUNTED

Detex Corporation, 302 Detex Drive, New Braunfels, Texas 78130 (830)629-2900 1-800-729-3839 FAX (830)620-6711

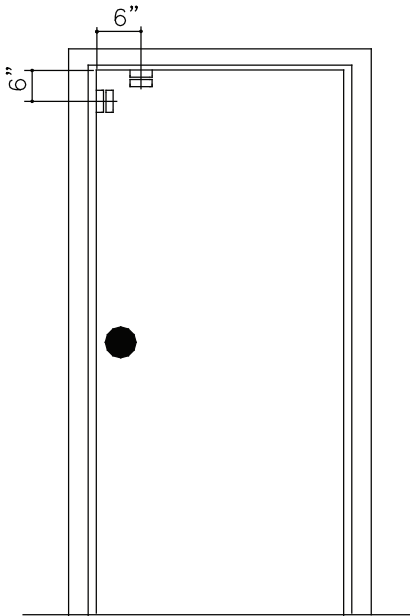
E-Mail: detex@detex.com Internet: www.detex.com

ELECTRICAL SPECIFICATIONS SWITCH (SPDT)

MAXIMUM CONTACT RATING;
500 mA at 24V



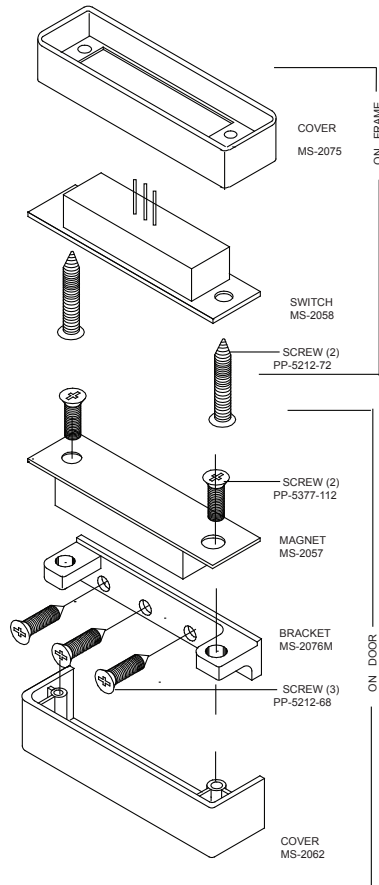
SHOWN DOOR SECURE



MS-2049S POSITION

The preferred position of the magnetic switch is the top of the door, centered approximately 6" from the edge of the door, as shown.

Contacts should be installed so that the door cannot be opened more than 2 inches without causing an alarm condition.



Use the template to mark the hole locations.

Mark the hole centers and drill the holes as required on the template.

Install the bracket on the door with three screws, #10 x 1", flat head thread-forming.

Position the magnet on the bracket and slip the cover up into position.

Fasten these parts together with two screws, #8-32 x 3/4", as shown.

Assemble the switch and switch cover and thread the switch wires through the hole in the frame. Run two, #10x1-1/2" sheet metal screws through these parts and tighten to frame.

NOTE:

Plastic anchors (part # 101129-1) are provided for concrete reinforced frames. In this case (2) 1/4" dia. holes are drilled using the same template. Tap anchors lightly into holes until flush with frame. Assemble switch as stated above.

CAUTION

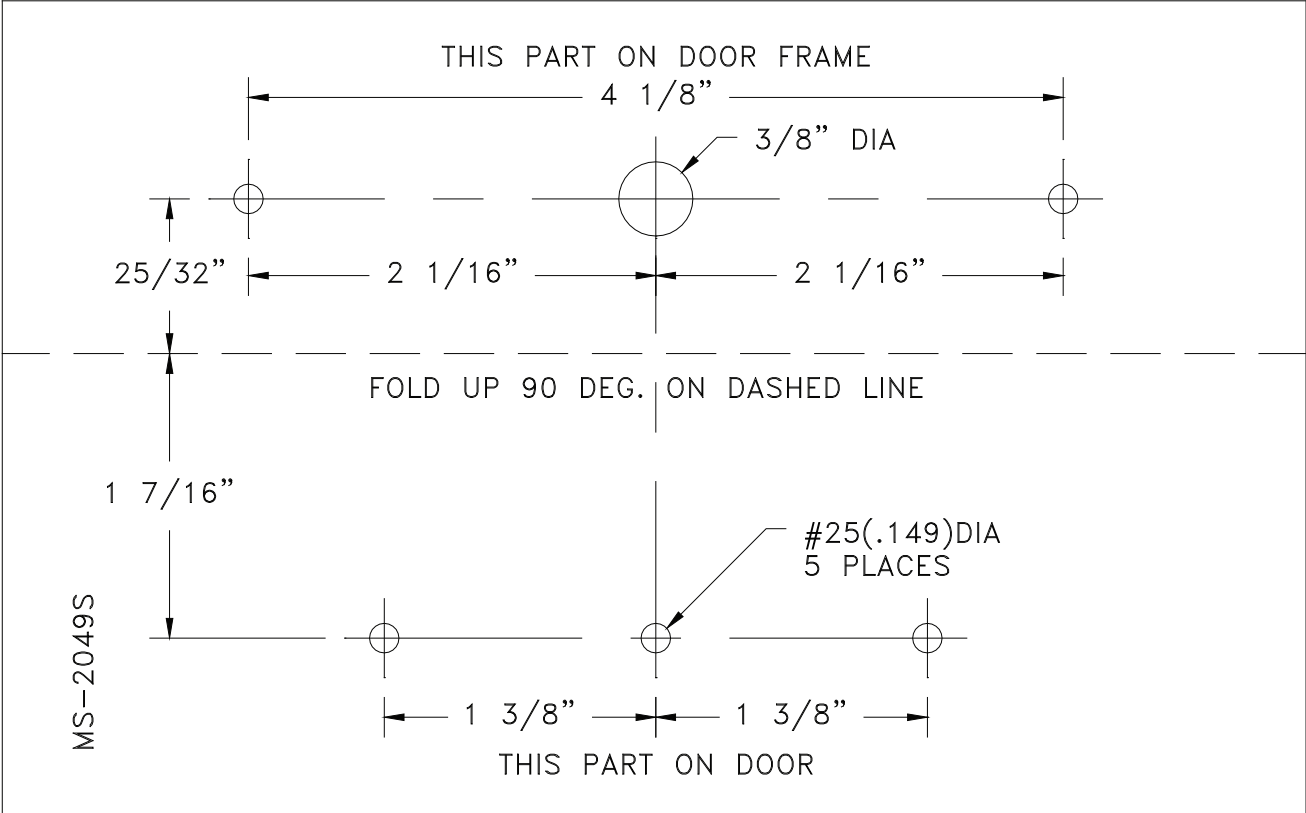
DO NOT OVERTIGHTEN

Connect the switch wires to the wires from the monitoring device.

PROBLEMS?

Contact Customer Service at
1-800-729-3839

NOTE: DIMENSIONS MAY NOT BE ACCURATE WHEN PRINTING FROM WEBSITE
PLEASE CONFIRM DIMENSIONS WITH RULER BEFORE USE



April 4, 2001