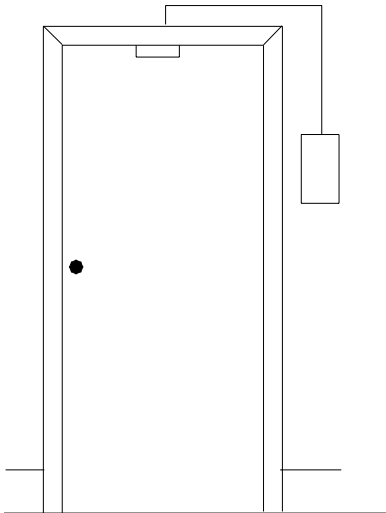


INSTALLATION INSTRUCTIONS FOR THE EA-2500 EXIT ALARM (POLYMER CASE)

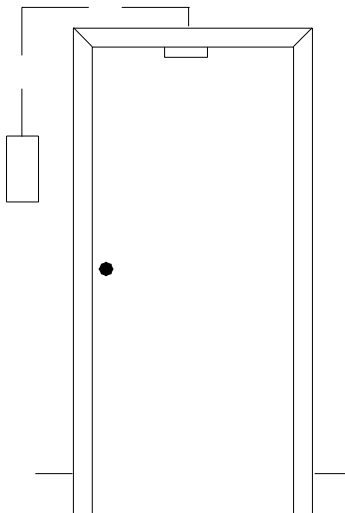
Detex Corporation, 302 Detex Drive, New Braunfels, Texas 78130 (830) 629-2900 / 1-800-729-3839 / FAX (830) 620-6711
 E-Mail: detex@detex.com Internet: www.detex.com

NOTE: The EA-2500 can be installed on either side of the door.



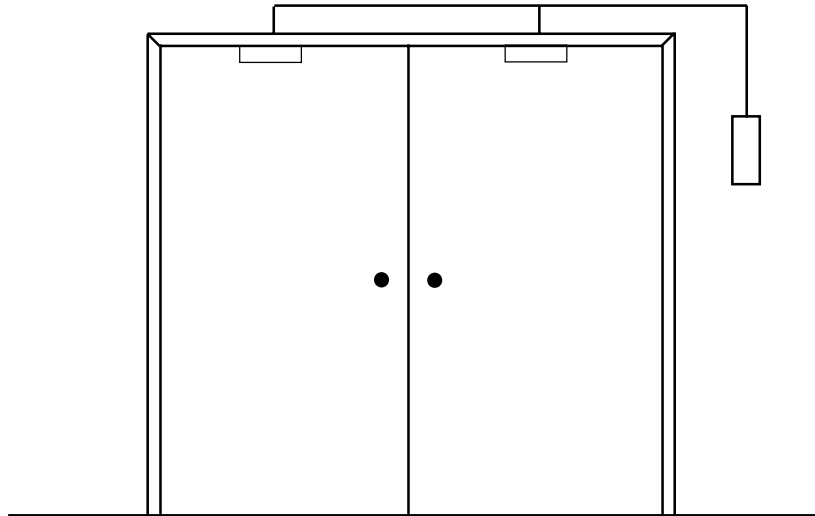
ACAD DWG EA-002

**FIG. 1 SURFACE MOUNT
SURFACE WIRING**



ACAD DWG EA-002

**FIG. 2 FLUSH MOUNT
IN-WALL WIRING**



**FIG. 3.- MONITORING TWO DOORS WITH ONE ALARM
SEE PAGE 5 FOR WIRING**

EQUIVALENT METRIC DIMENSIONS			
ENGLISH	MILLIMETERS	ENGLISH	MILLIMETERS
1/8"	3	7/8"	22
1/4"	6	1"	25
5/16"	8	1-1/4"	32
3/8"	10	1-9/16"	40
1/2"	13	1-3/4"	44
5/8"	16	3-3/4"	95
3/4"	19	8-3/4"	222

E:\PM4\TABLES\METRICS.TBL

WARRANTY

The Detex Security hardware product you have purchased is warranted to be free of defects in material and workmanship when properly installed, used and maintained according to instructions. We will, for a period of one (1) year from the date of purchase, repair or replace any part which, upon our examination, proves to be defective under normal use. This does not apply to batteries or to damage from battery leakage. This warranty will be honored only upon presentation of proof that the product covered thereby was purchased directly from an authorized Detex Distributor. WE SHALL NOT BE LIABLE FOR ANY DIRECT, INCIDENTAL OR CONSEQUENTIAL LOSS OR DAMAGE ARISING OUT OF THE FAILURE OF THIS DEVICE.

NOTE TO THE INSTALLER

These instructions contain information required by the owner. Please turn them over to the owner when the installation is complete.

FEATURES

The EA-2500 Exit Alarm includes the following features.

COMMUNICATIONS TO A REMOTE INDICATING PANEL (RIP)

When the system is armed and a protected door is opened, a signal is sent to the RIP. (Optional)

REMOTE BY-PASS

By installing an optional remote bypass switch, (Detex part # CS-915A), authorized personnel can enter without setting off the alarm.
N/O Dry Contact.

MULTIPLE DOORS

Several doors can be monitored with one alarm. Wiring for multi-door installations is given on page 5 Figs. 12/13.

CALL BELL

This feature (optional), uses a conventional door bell (N/O Dry contact) to trigger the alarm in the EA-2500 (Detex part # EA-803).

ADJUSTABLE TIME DELAY

When the system is by-passed by an authorized person, that person has a limited amount of time to exit and close the door before the alarm sounds. The time delay is preset at the factory to approximately 8 seconds (minimum time). If more time is desired, an adjustment is provided in the alarm (See page 5 Fig. 6).

ALARM BY-PASS (EXTENDED)

When it is necessary to by-pass the alarm for extended periods of time, such as when deliveries are being made through a protected door, an adjustment is provided in the alarm for this situation as described on page 5 Fig. 6.

ALARM BY-PASS AUTO-REARM

With this feature, the unit will sound when the door is opened by unauthorized personnel, stop when the door is closed and automatically rearm the alarm. (See page 5 Fig. 6)

90 DEGREE DETENT

To prevent removal of the arming key in the disarmed position, a detent is provided in the hardware kit. (See page 5 Fig. 6)

MOUNTING SCREWS

Two types of screw are supplied with the EA-2500; #10-32 machine screws and #10 thread-forming screws. The machine screws are required for installing the flush unit and the thread-forming screws are for the surface unit.

TOOLS AND SUPPLIES REQUIRED

Screwdriver, blade type, 5/16"
Screwdriver, blade type, 1/8"
Screwdriver, Philips, #1
Linesman's pliers to cut the cylinder tailpiece.
Drill motor and bits
Punch for knockouts
Hammer
Pencil
Hole saw

OTHER ITEMS REQUIRED

Rim cylinder, 5, 6 or 7-pin.
A 5-pin cylinder is available from Detex as part number ECL-445K
- For 6-pin or 7-pin cylinder, a spacer is required (Detex part # ECL-1595)

Transformer, 12 VAC, 25VA
Detex part number PP-5152-3
For international applications at 240 VAC, use
Detex p/n PP-5452-2

Magnetic switch, Form "C" switch
Detex p/n MS-2049

NOTE

These instructions cover the surface mounted EA-2500S and the flush-mounted unit, EA-2500F. Many of the steps involved in installing this product are common to both units. When a step applies to a specific unit, that information is so noted.

Insert the faceplate lock key in the faceplate lock cylinder and turn it about eight turns counter-clockwise until the cylinder releases the internal locking stud.

The bottom edge of the faceplate is held captive by an internal retainer. Push the bottom edge upward to release it.

Install the internal key control (IKC) (See page 5 Fig. 8)

ARMING

Turn the IKC key maximum counter-clockwise (Switch Lever released). The "LED" will be turned off. The door may be opened & closed during this time without the unit sounding. Once the "LED" turns back "ON" the unit will sound instantly when opening the door and continue to sound until the unit is re-set with the key.

TROUBLESHOOTING

A) Cover Key does not turn

- 1) Confirm key# with cover lock cylinder - # should be the same (EX: DT011)
- 2) Spray WD40 or any lite lubricant into cylinder opening and slide key in and out. Let sit for approximately 2-3 minutes - Retry.

B) IKC hard to turn

- 1) Check dimensions on cylinder cut (See pg. 5 Fig. 2) 8).
- 2) Confirm you are using correct key.

C) Can't remove IKC key with unit armed

- 1) Check CAM alignment - key removed (See pg. 5 Fig. 6).
- 2) Cam mis-aligned - remove cylinder. Align IKC cam as per drawing (see page 5 Fig. 6). Remove key from cylinder - reinstall.

D) No LED, no sound

- 1) Check voltage on transformer - should be 12 - 14 VAC. If OK
- 2) Check voltage on white & black wires on Intermediate Power Cable - should be 12 - 14 VAC.
- 3) Check CAM position/ installation of IKC cylinder (see page 5 Fig. 6)
- 4) If "Remote By-Pass Feature" is used, check wiring & switch (N/O Dry Contact).
- 5) Check Circuit Breaker

E) Unit sounds after delay - door closed/door open

- 1) Check door contact. Close loop when door secure.
- 2) If monitoring multiple doors, wire switches in series.
- 3) Check door contact wiring to orange and gray wires.
- 4) Unit has Magnet/Switch Tamper feature. When closing unit make sure no wires rest between magnet on back box and tamper switch on PC Board.
- 5) Secure faceplate to back box to close tamper switch circuit.
- 6) Confirm tamper magnet is in place. As you look into back box, magnet on left side (see page 5 Fig. 7).

F) "LED" OK, but unit does not sound when door is opened

- 1) With unit armed ("LED" on) remove face - unit should sound. Re-set . Replace faceplate. Piezo/Tamper Switch OK.
- 2) Check for "Open Circuit" between frame and orange and gray wires.
- 3) Disconnect orange and gray wires from door switch. Splice orange and gray wires. Arm unit, when "LED" turns on - unit should not sound, separate orange and gray wires - unit should sound. If OK, door switch is defective. Replace.

G) Unit emits a chirp approximately every 45 seconds

- 1) Confirm 9V battery is connected
- 2) Replace 9V battery. (Use ALKALINE only)

H) Low db level (volume)

- 1) Contact Detex

PROBLEMS?

Contact Customer Service at
1-800-729-3839

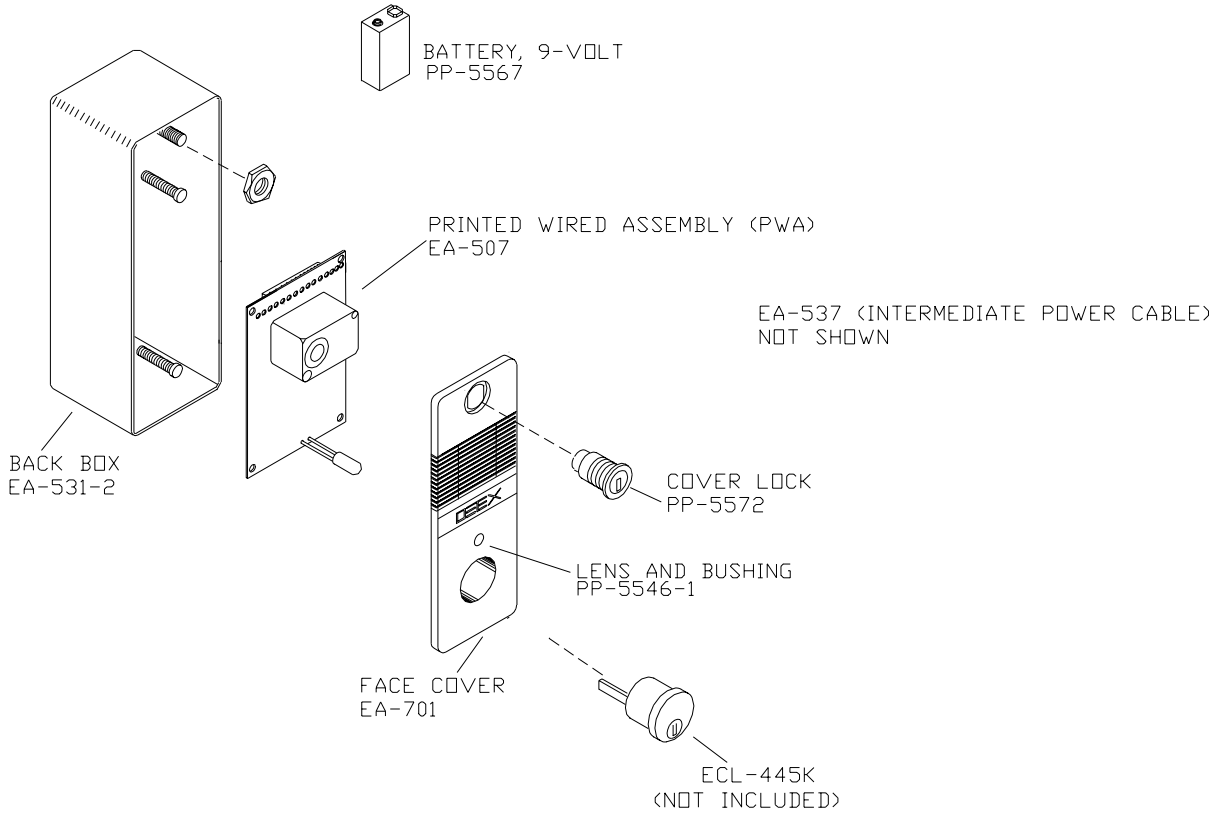


FIGURE 4.-PARTS BREAKDOWN, SURFACE UNIT

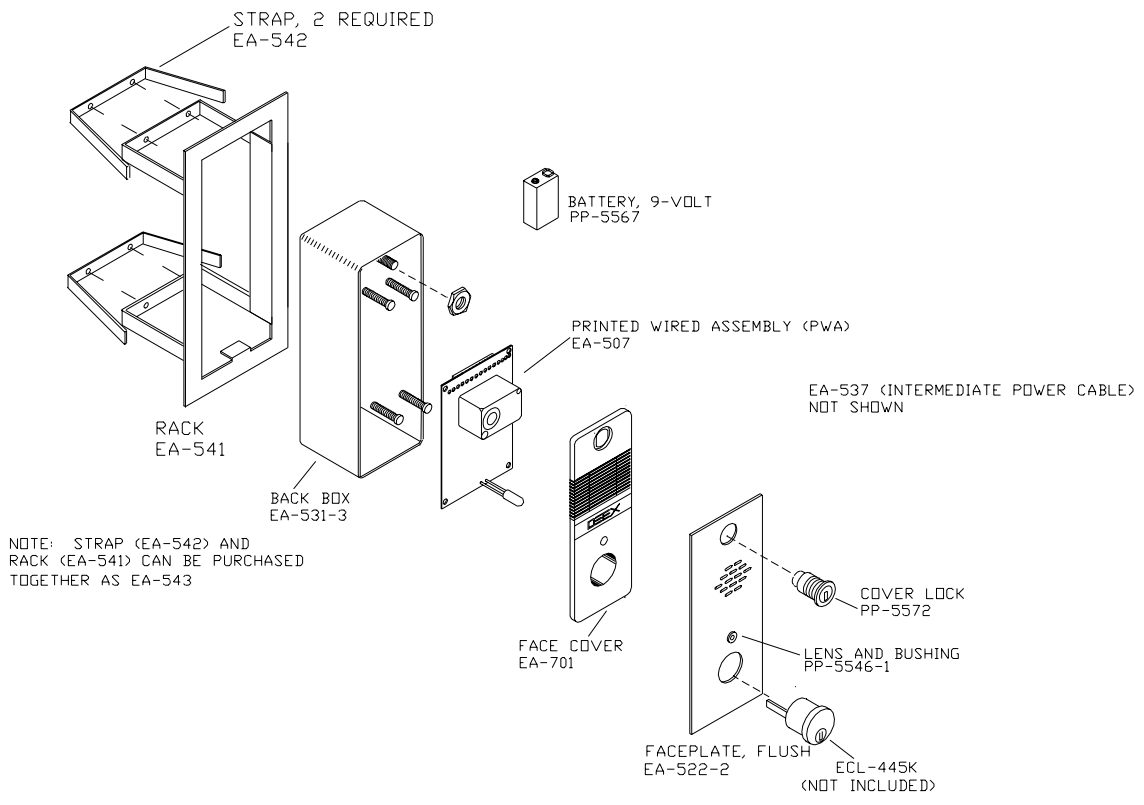
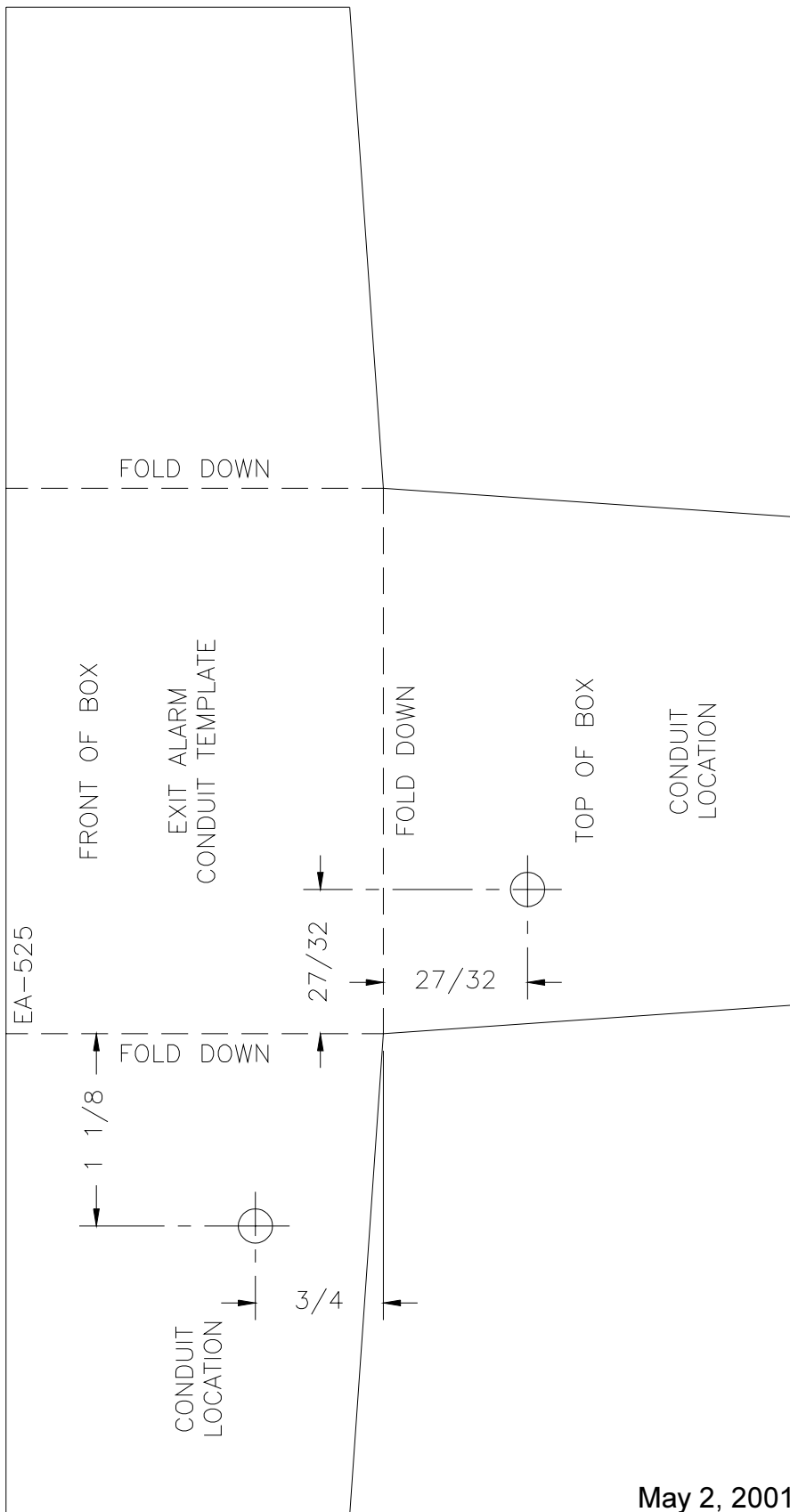
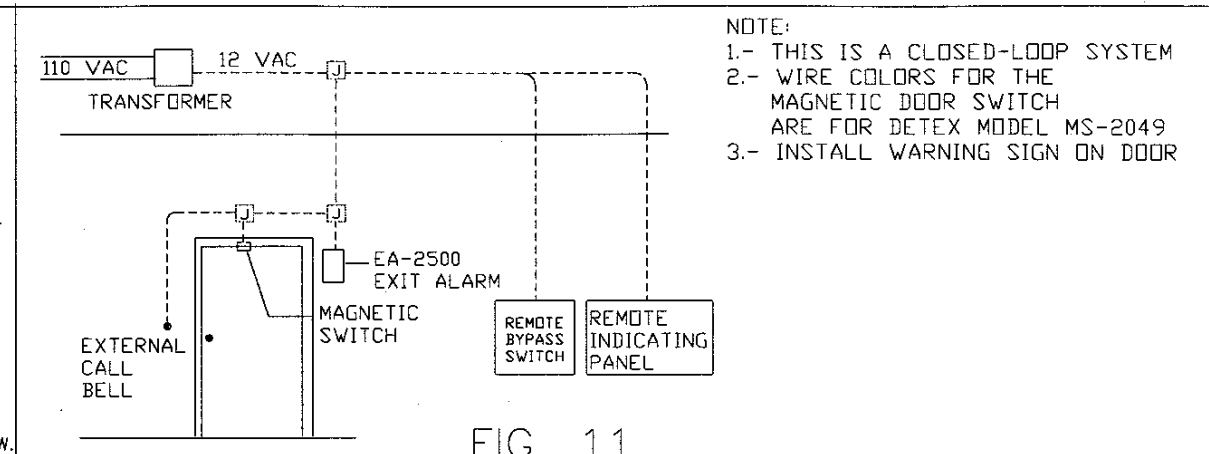
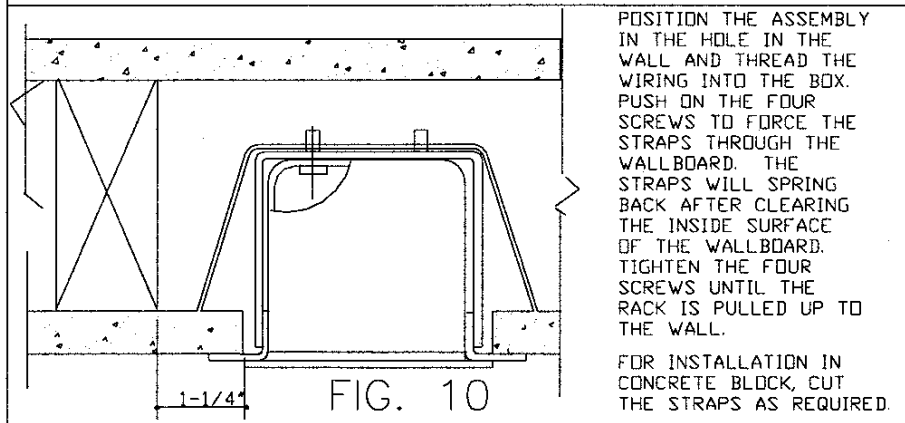
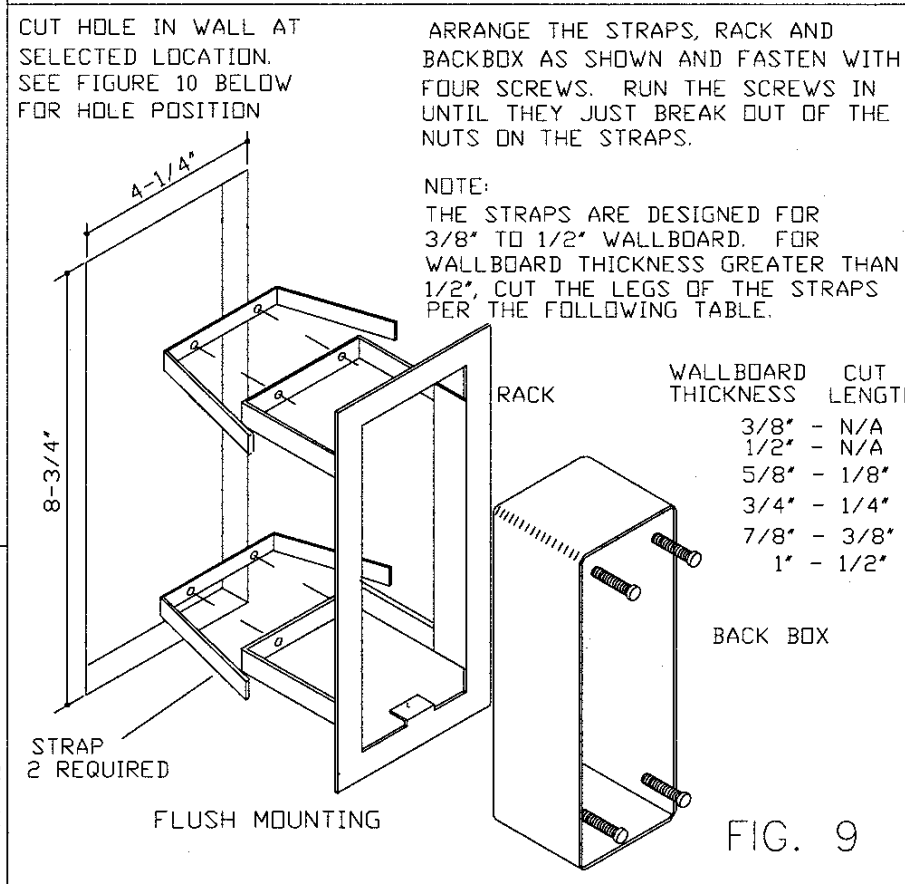
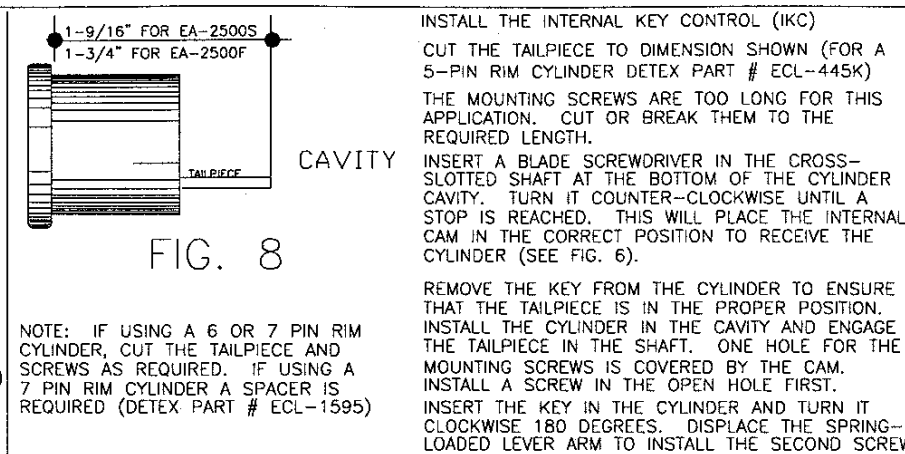
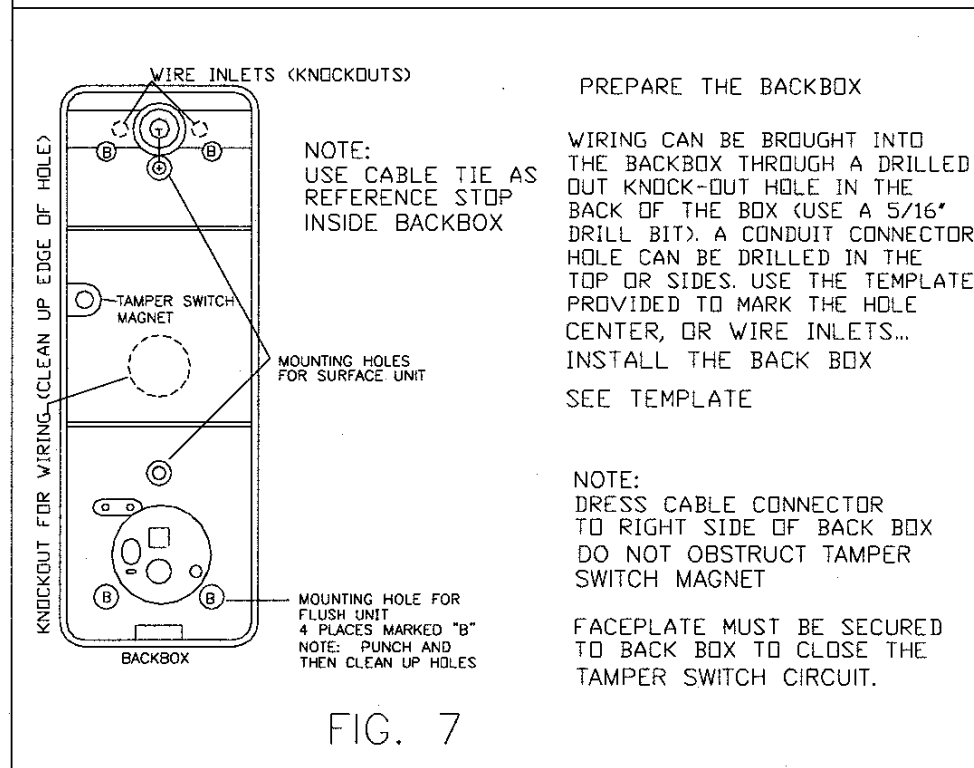
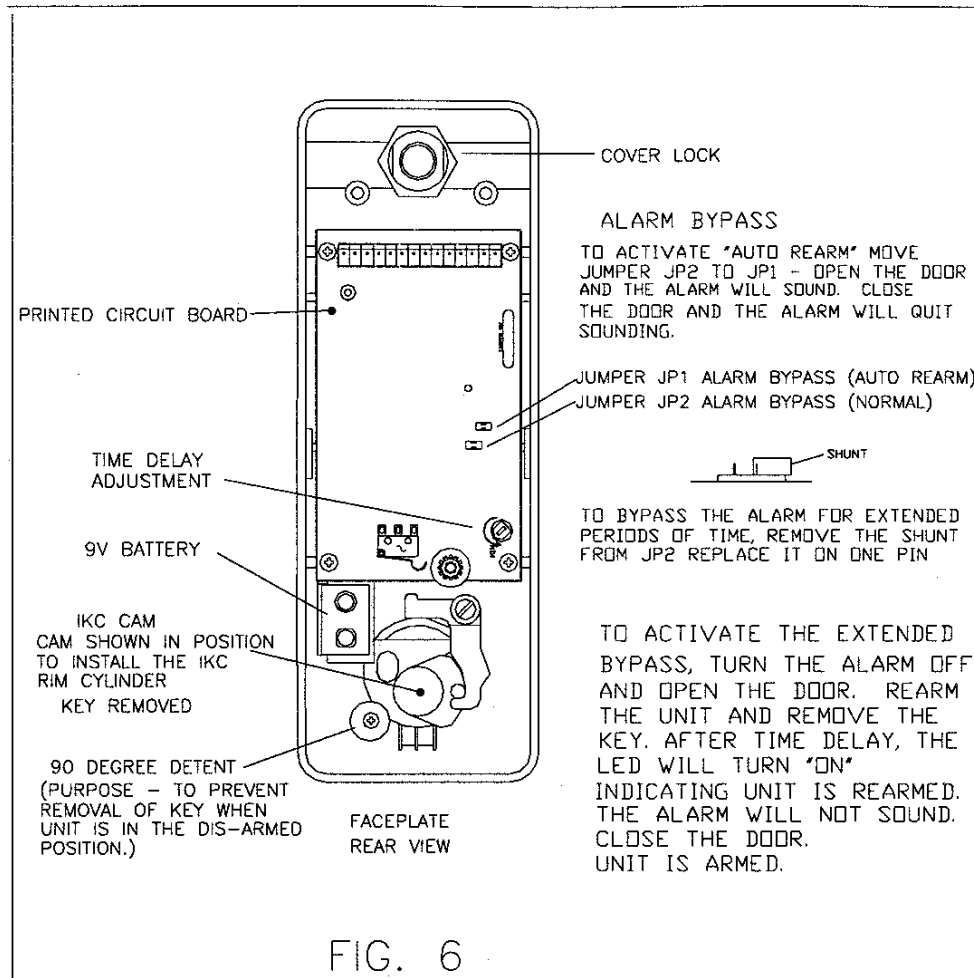


FIGURE 5.- PARTS BREAKDOWN, FLUSH UNIT

NOTE: DIMENSIONS MAY NOT BE ACCURATE WHEN PRINTING FROM WEBSITE
PLEASE CONFIRM DIMENSIONS WITH RULER BEFORE USE

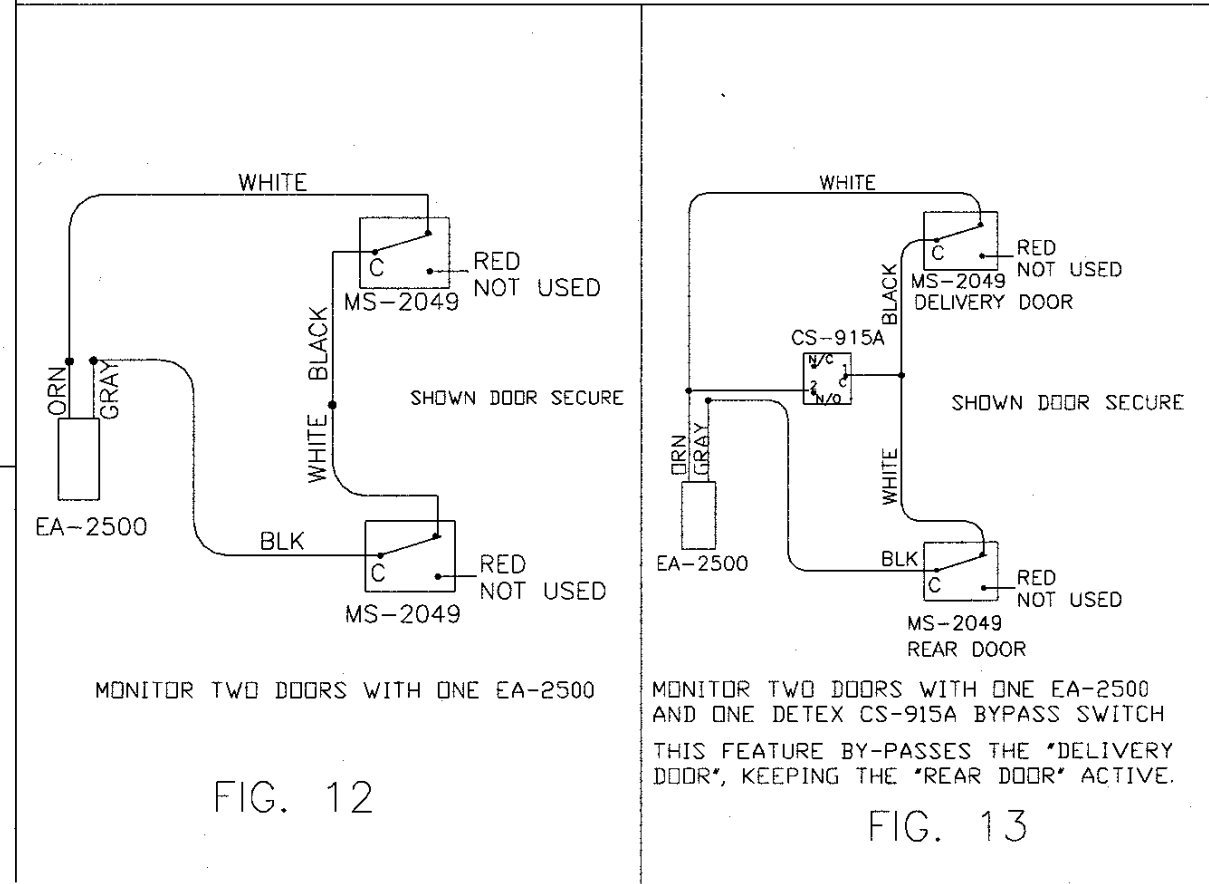


May 2, 2001



WIRE	FUNCTION
GREEN	CASE GROUND. CONNECT TO EARTH GROUND
WHITE	12 VAC
BLACK	12 VAC
BROWN	RIP COMMON
YELLOW	RIP NO
RED	RIP NC
ORANGE	SW1 (MAGNETIC DOOR SWITCH) CONNECT TO WHITE WIRE FROM SWITCH
GRAY	SW1 (MAGNETIC DOOR SWITCH) CONNECT TO BLACK WIRE FROM SWITCH
PINK	COMMON, REMOTE BYPASS
VIOLET	REMOTE BYPASS N/O DRY CONTACT
TAN	COMMON, CALL BELL
BLUE	CALL BELL N/O DRY CONTACT
RED	BATTERY +
BLACK	BATTERY -

FORM "C" RELAY DRY CONTACT



TAPE THIS PAGE TO DOOR FOR CONVENIENCE