



Detex Corporation, 302 Detex Drive, New Braunfels, Texas 78130-3045
830-629-2900 / 800-729-3839 / Fax 800-653-3839 / Text photos only: 830-481-6433 / INTERNET: www.detex.com

Installation instructions for DTX-LM-DATA module

Dwg # 106984

The DTX-LM-DATA module is required when an AO19 (single or twin) device is used in conjunction with a BEA safety sensor. It allows the BEA safety sensor to properly communicate door position with the UDC controller within an AO19 device.

AO19 **SINGLE** devices require one module for the UDC controller.

AO19 **INDEPENDENT TWIN** devices require one module for **each** UDC controller.

AO19 **DEPENDENT TWIN** devices require one module connected to the **primary** UDC controller.

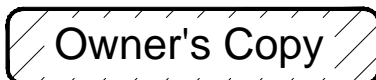
Table of Contents	Page
Device parts breakdown view & part numbers.....	2
Wire connections to UDC controller & Safety Sensor.....	3
Mount the DTX-LM-DATA module to enclosure.....	3

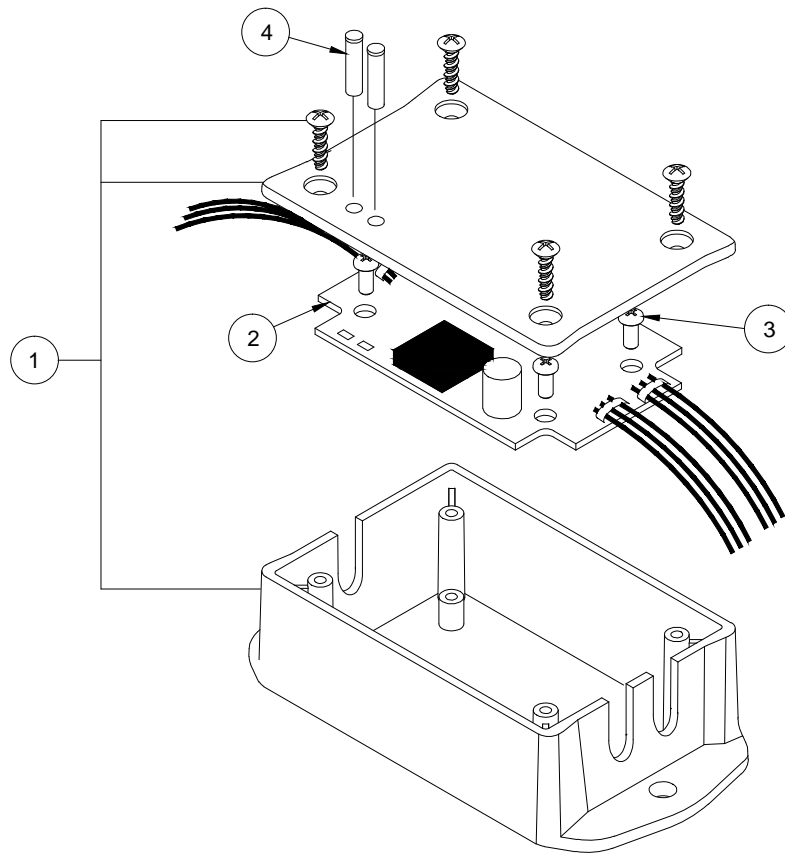
Should you have a Question/Problem with your Detex device please call Detex Technical Support from job site at 1-800-729-3839 and choose option 2 on our menu. Please do not return the product to the distributor.

For **WARRANTY** information,
scan code below or
go to www.detex.com/warranty

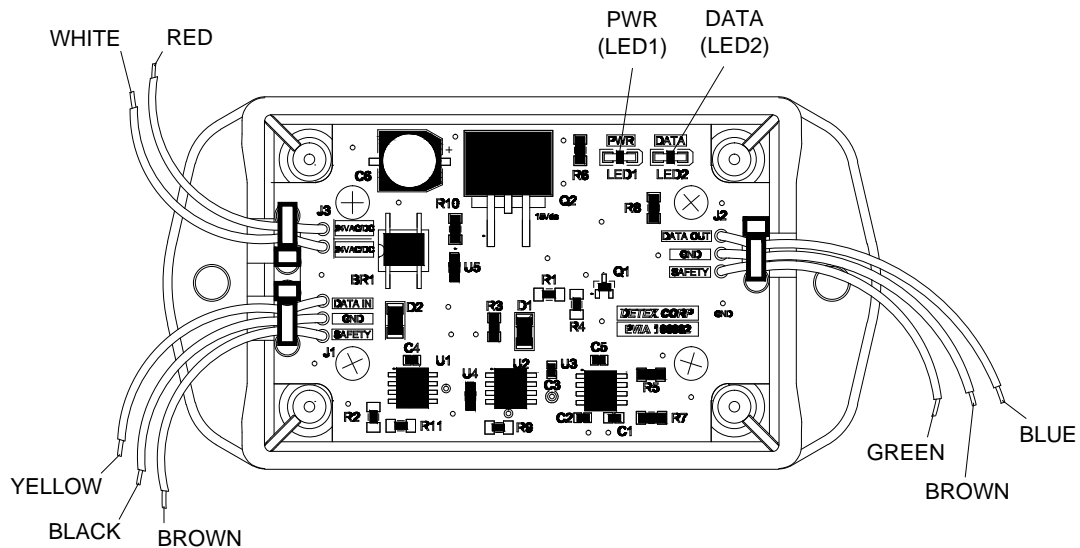


For device installation videos,
scan code below or
go to www.detex.com/videos



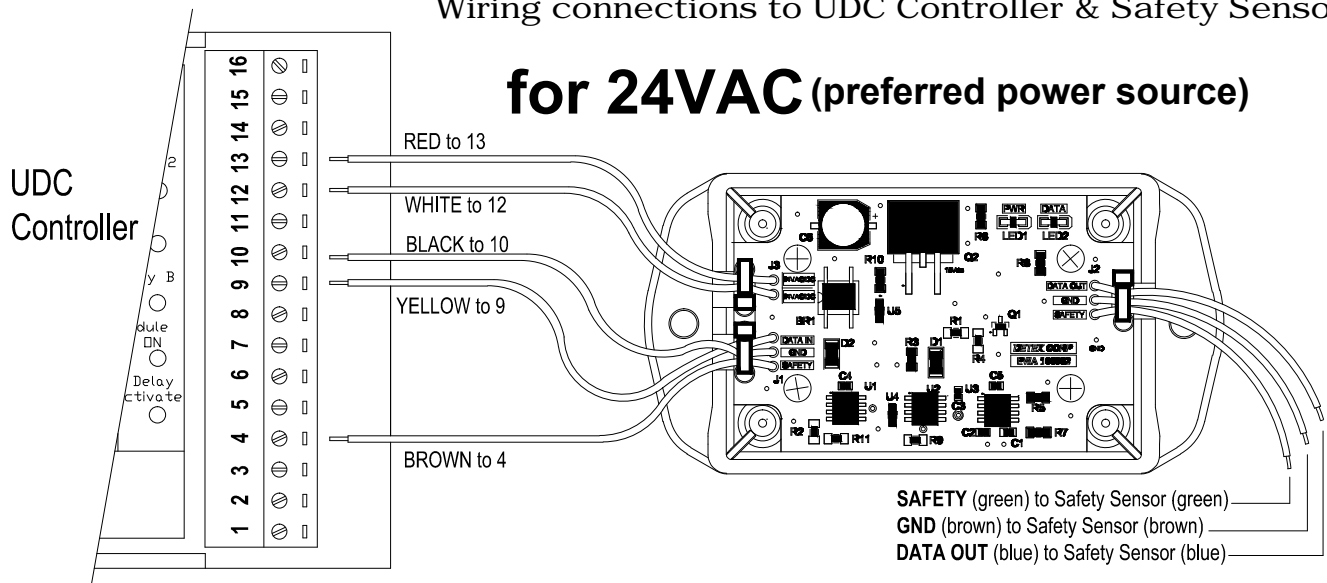


ITEM #	P/N	DESCRIPTION	QTY
1	106983	ENCLOSURE, D1 DATA SIGNAL	1
2	106982	PWA, D1 DATA SIGNAL	1
3	PP-5374-42	SCREW, PLASTITE, #4-20, 1/4" LONG	4
4	101850-23	LIGHT PIPE, .640 LONG	2



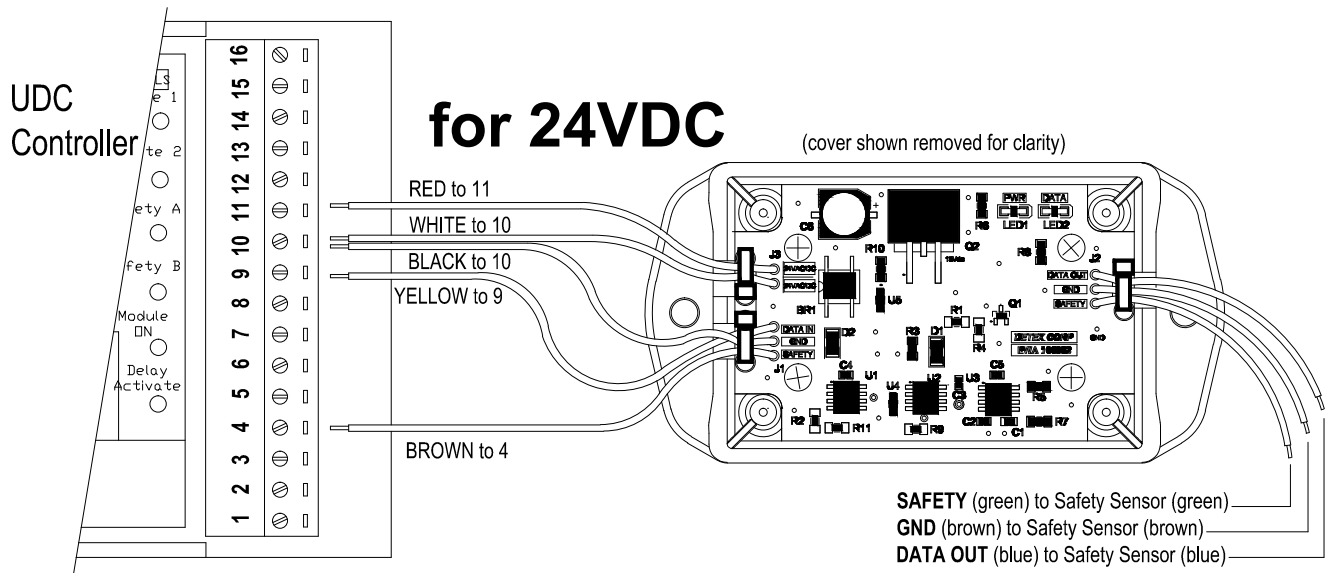
Wiring connections to UDC Controller & Safety Sensor

for 24VAC (preferred power source)

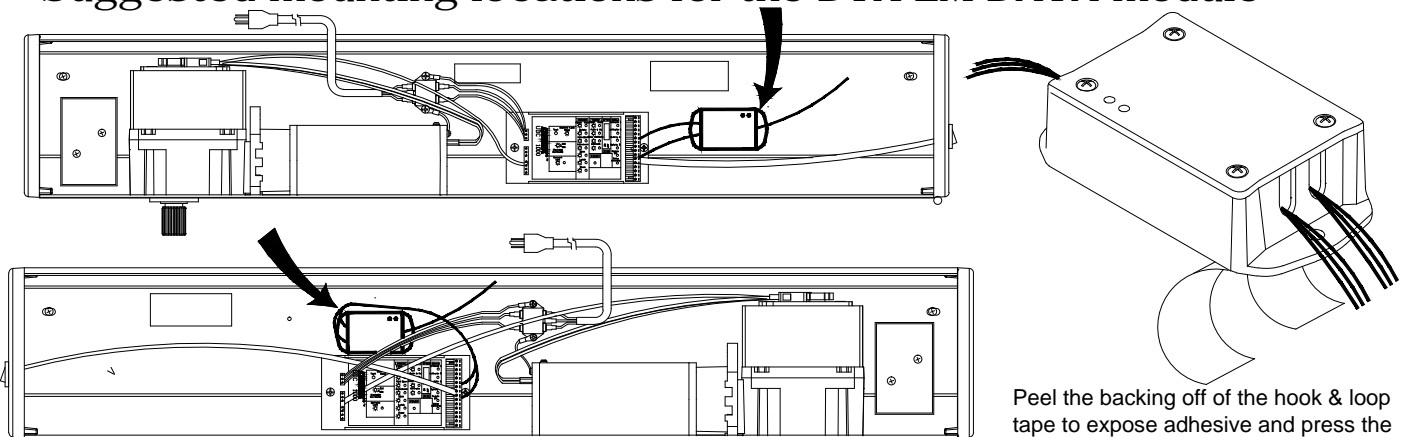


for 24VDC

(cover shown removed for clarity)



Suggested mounting locations for the DTX-LM-DATA module



For twin devices the same mounting location suggestions apply.

Peel the backing off of the hook & loop tape to expose adhesive and press the module onto enclosure in the chosen mounting location.

Ensure that wires will reach the UDC controller without binding before mounting the DTX-LM-DATA module. See above.
Note: The DTX-LM-DATA module will be functional in any position or rotation.