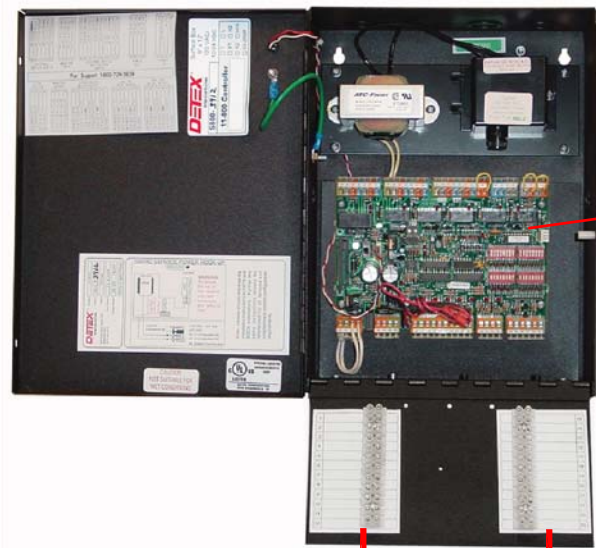


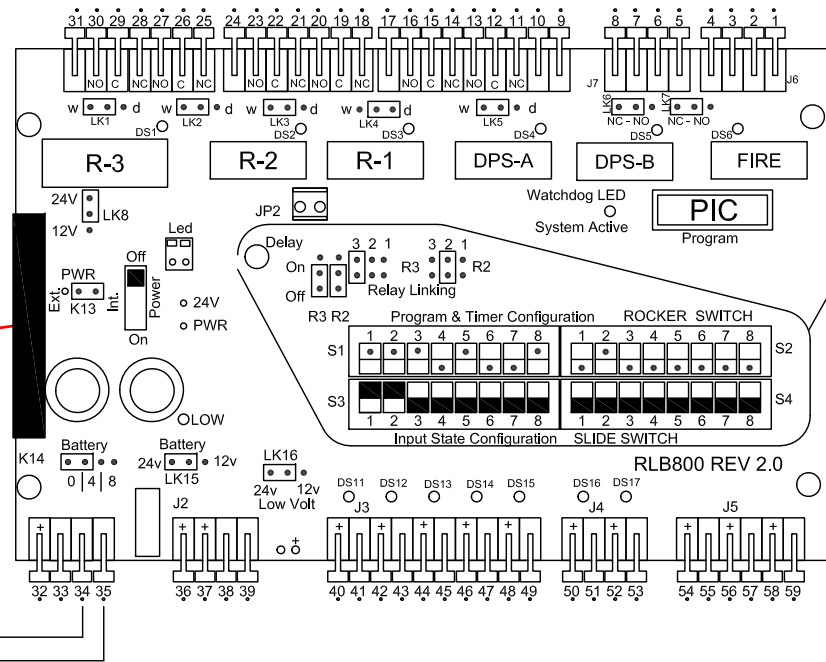


DETEX WIRING DIAGRAM

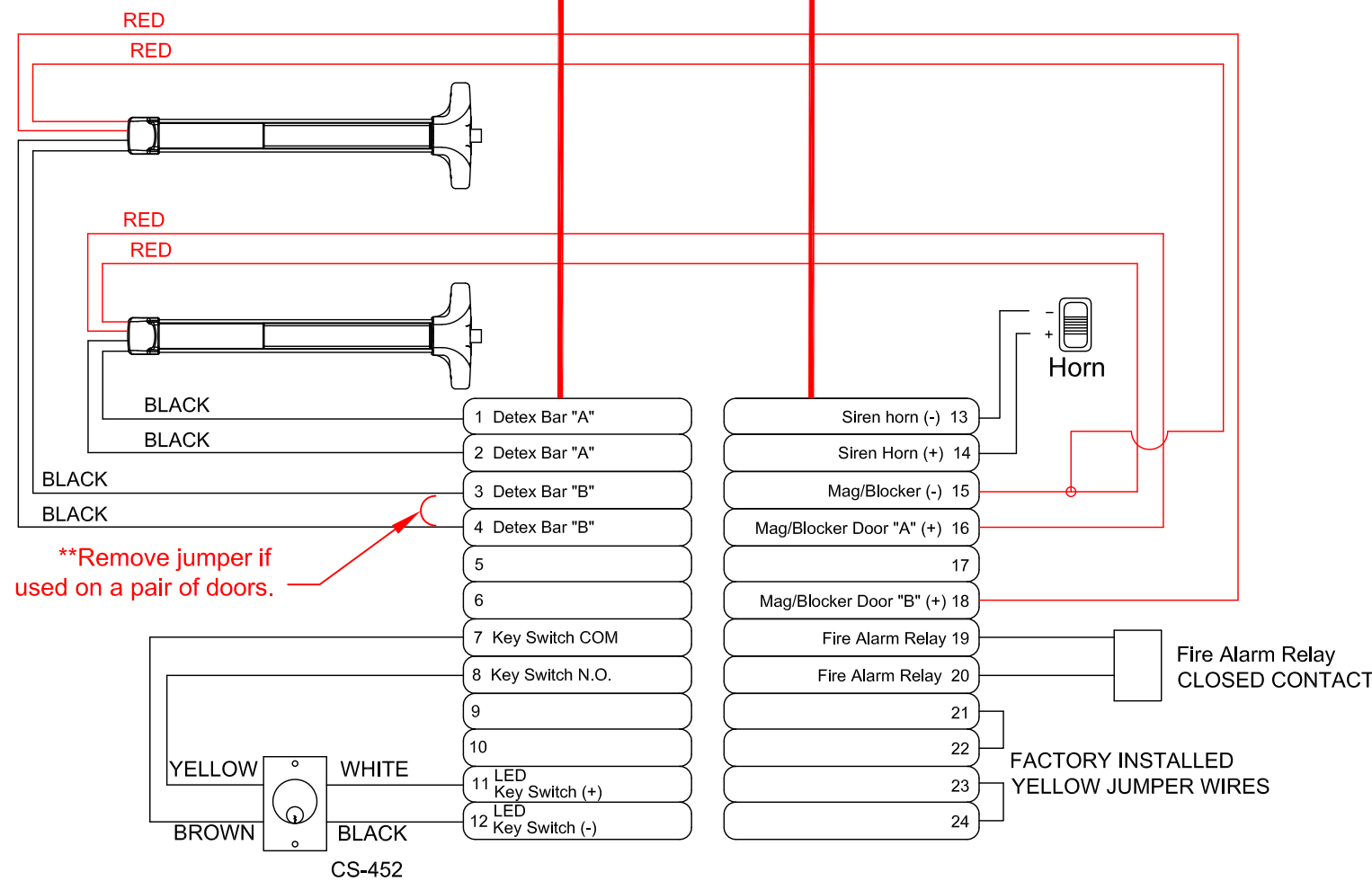
WDE Weatherized Delayed Egress Logic Controller/Power Supply



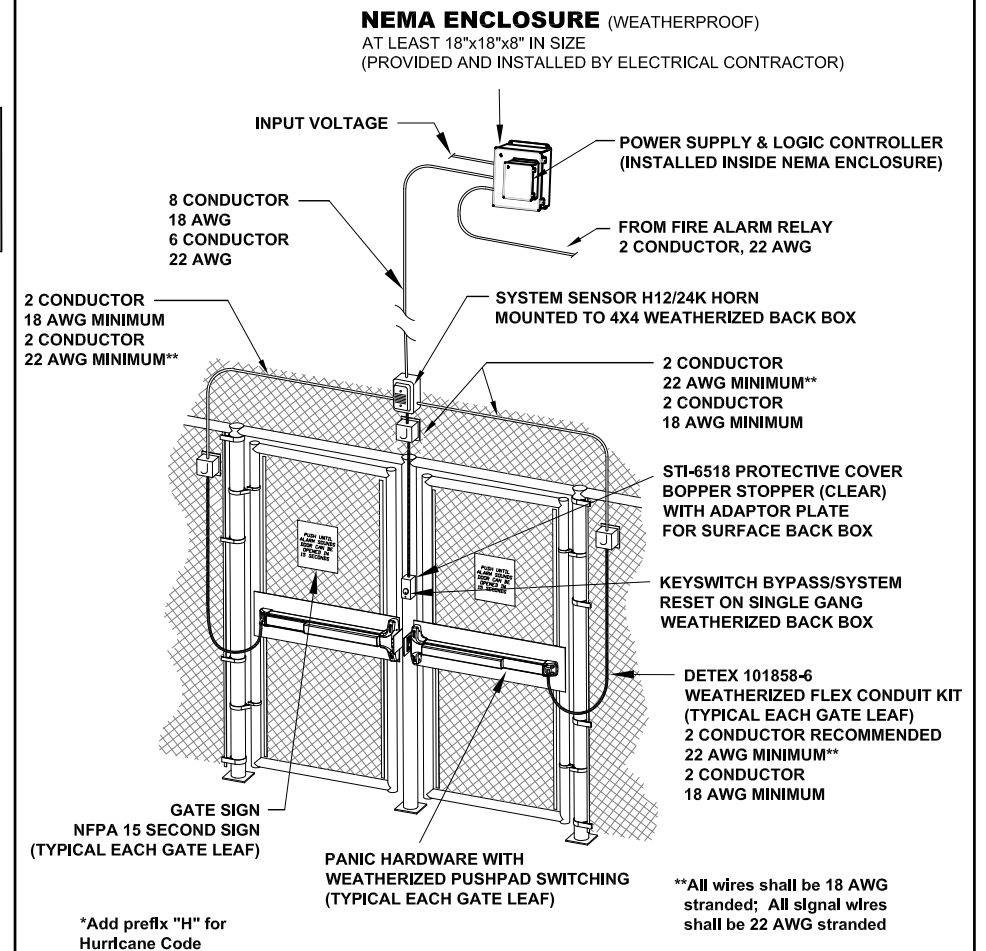
****LT Version
-Transformer
located outside of
logic controller**



Note:
Factory programmed
to NFPA Standards
Contact Detex Corporation
for other building codes



****Remove jumper if
used on a pair of doors.**



Theory of Operation
Rotating the authorized key in the momentary key switch mounted adjacent to gate will bypass the delayed egress system, allowing exit. A Green LED will illuminate indicating disarmed status. exit.
Pressing the pushpad on the exit device for more than 3 seconds puts the system into alarm mode and begins an irrevocable 15-second delay, keeping the gate locked for 15 seconds before the blocker(s) release(s) allowing egress through gate. Shunting the alarm and rearming the delayed egress system requires use of authorized key switch located adjacent to gate.
When activated, the re alarm system will send a signal to deactivate the delayed egress system, allowing immediate egress. The local alarm will sound until reset.

Project Name	Wiring Diagram for 12-800-DE5
Dwg No.	105756
Date:	4/23/2013

Rev B. 6-09-23

